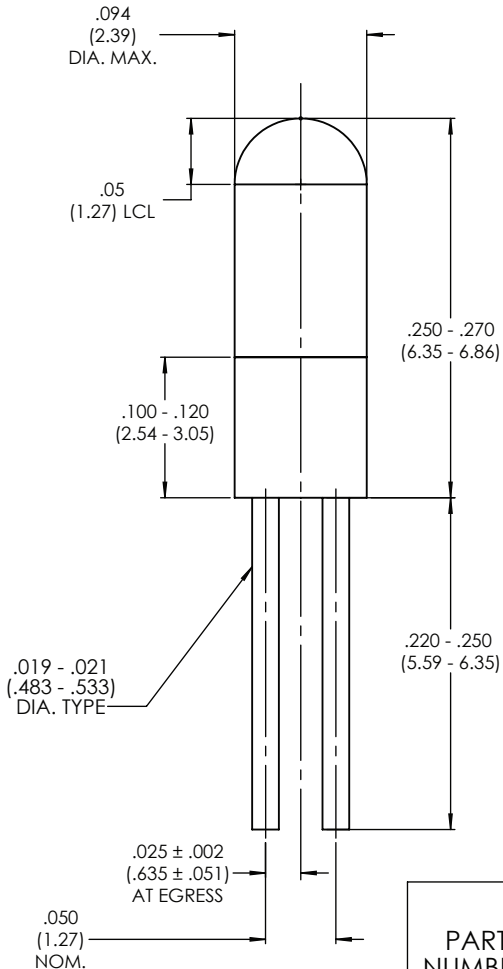




8-A278 and 8-278N Lamps

T-3/4 Bi-Pin Lamps with Frosted Bulb

Product Specifications



Dimensions in inches [mm]

Materials	
Base Color	White
Bulb Finish	Frosted Glass (Acid ETCH)

Temperature Specifications	
Operating Temperature	-65°C to +100°C -85°F to +212°F
Storage Temperature	-65°C to +100°C -85°F to +212°F

PART NUMBER	ELECTRICAL CHARACTERISTICS				FILAMENT SHAPE	LAMP LEADS
	Voltage (V)	Current (A)	MSCP NOM.	LIFE HOURS (AVG.)		
8-A278	5.0	.020 ± .002	.034 ± .005	3,000	C-2R	GOLD PLATED
8-A278N	5.0	.020 ± .002	.034 ± .005	3,000	C-2R	NICKEL PLATED