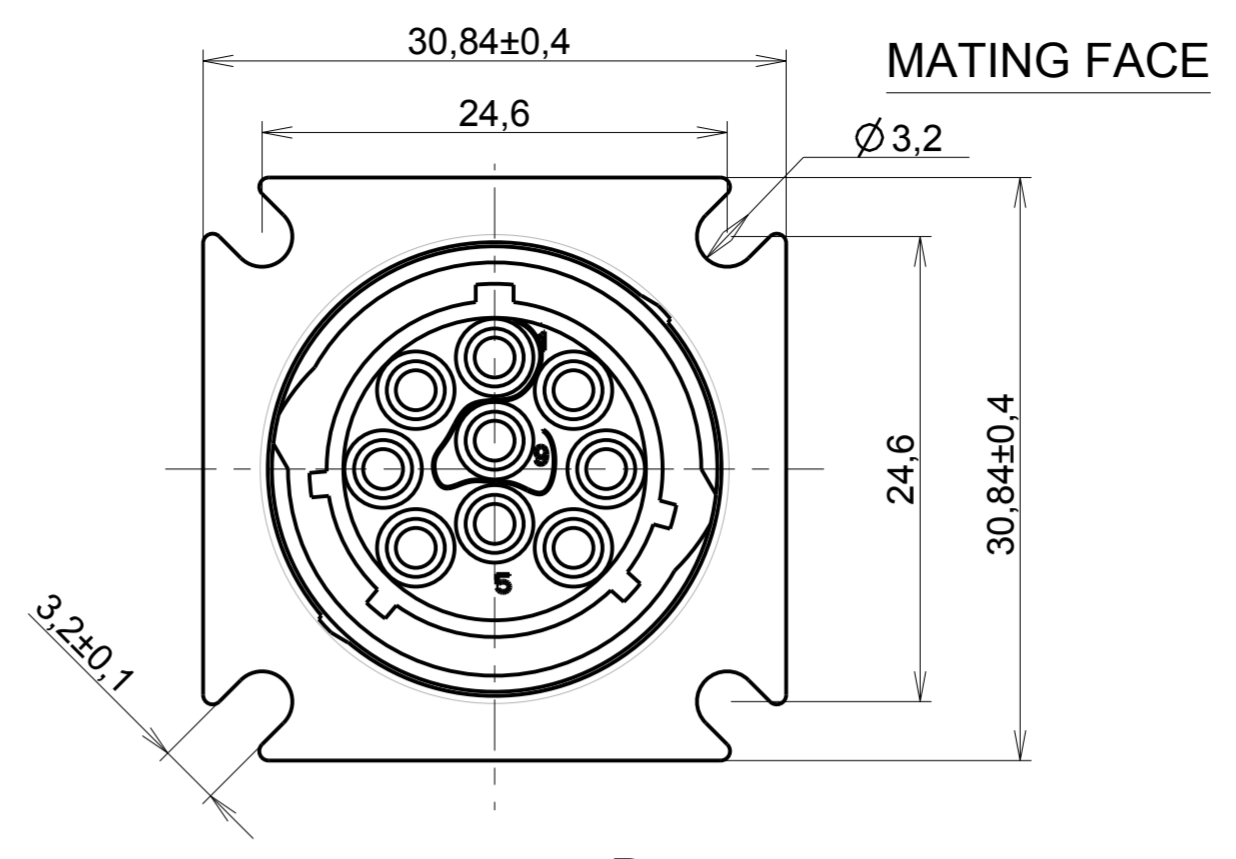
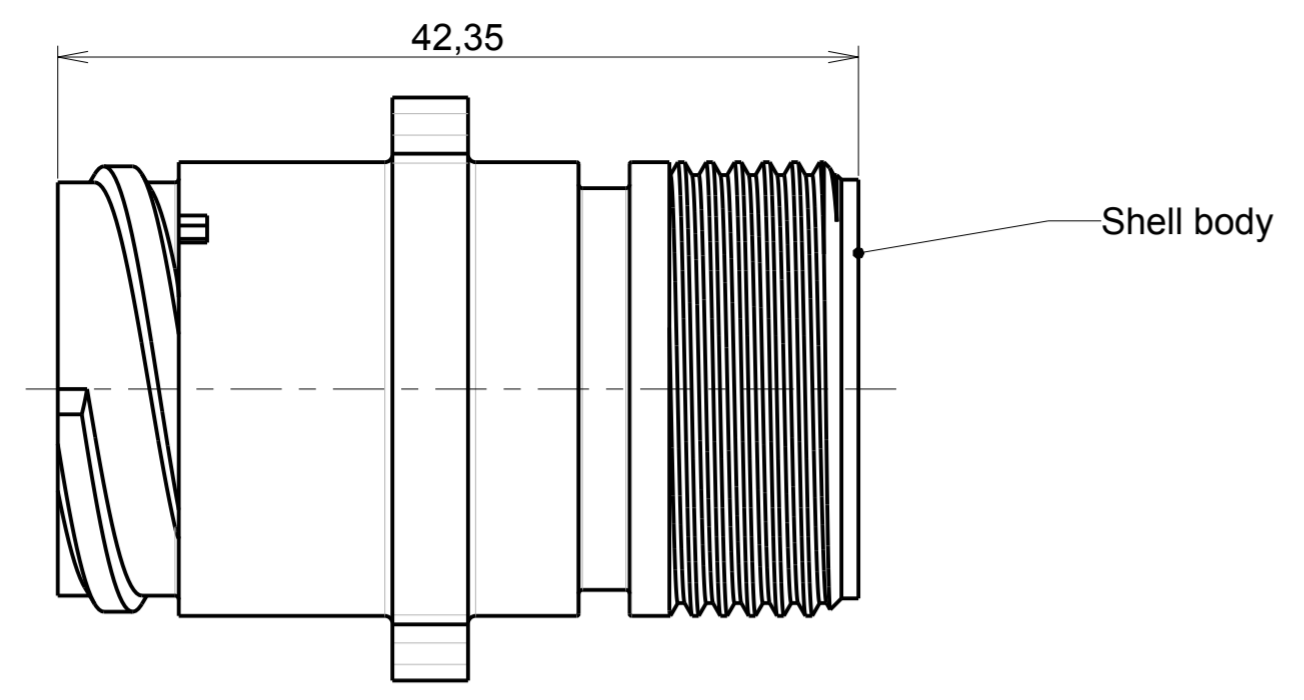
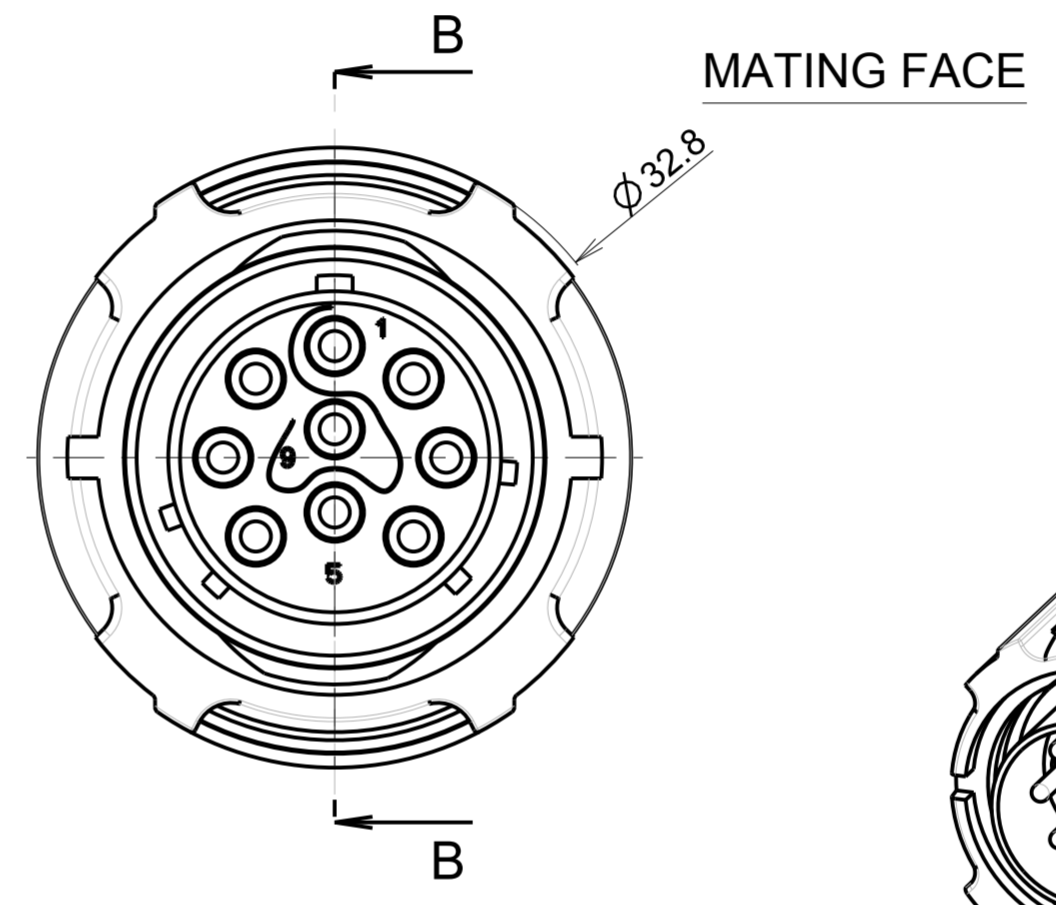
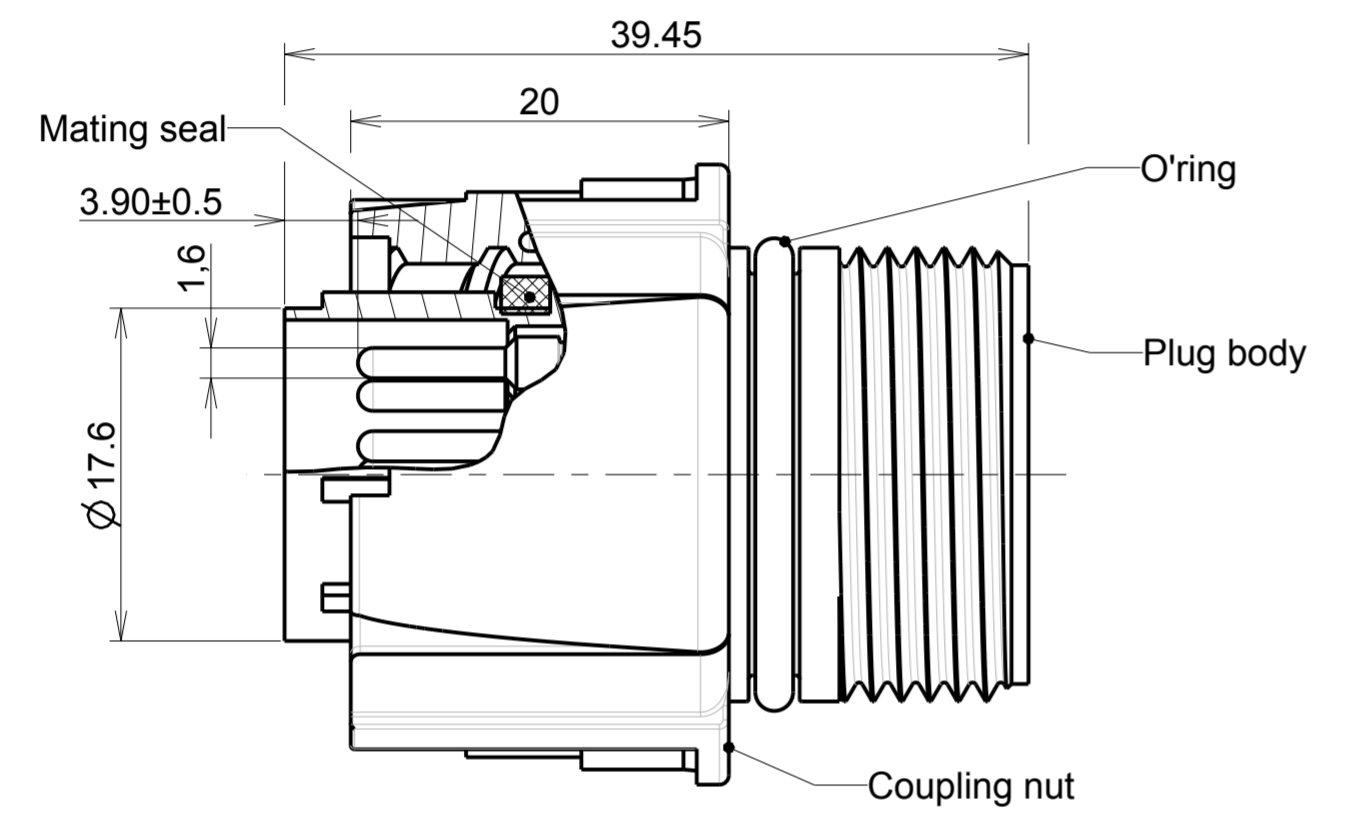


c:0:RL

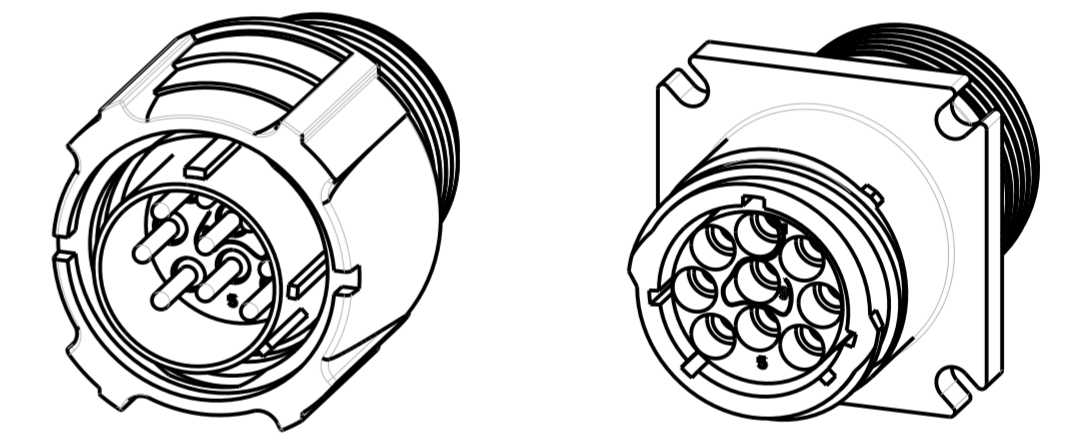


**MATERIAL:**  
 Shell Body : Thermoplastic (UL94 V0)  
 Plug Body : Thermoplastic (UL94 V0)  
 Coupling nut : Thermoplastic (UL94 V0)  
 Insert : Thermoplastic (UL94 V0)  
 Mating seal (Plug) :Silicone  
 O'ring : NBR

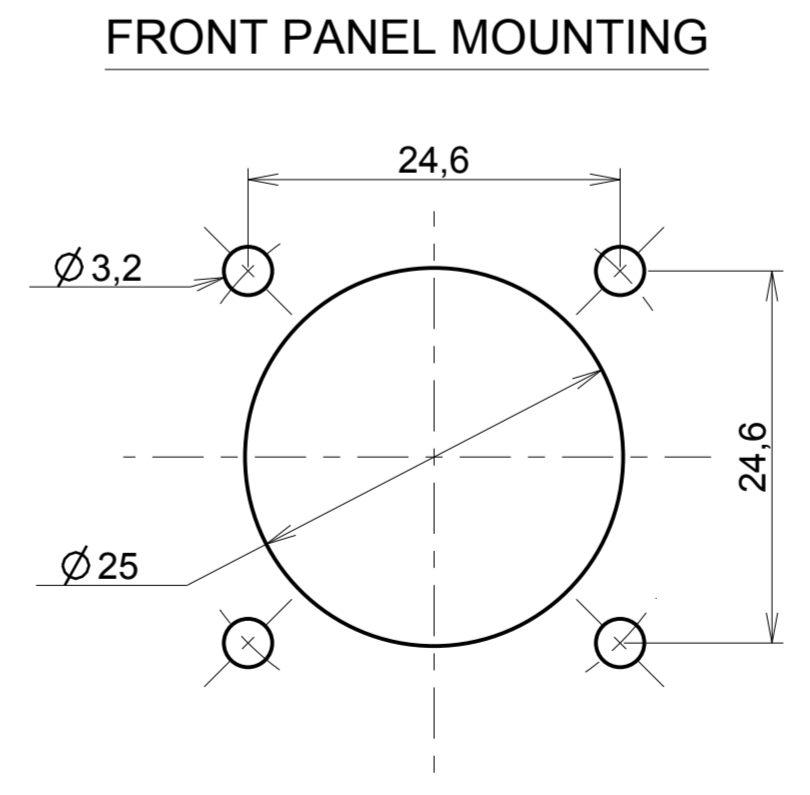
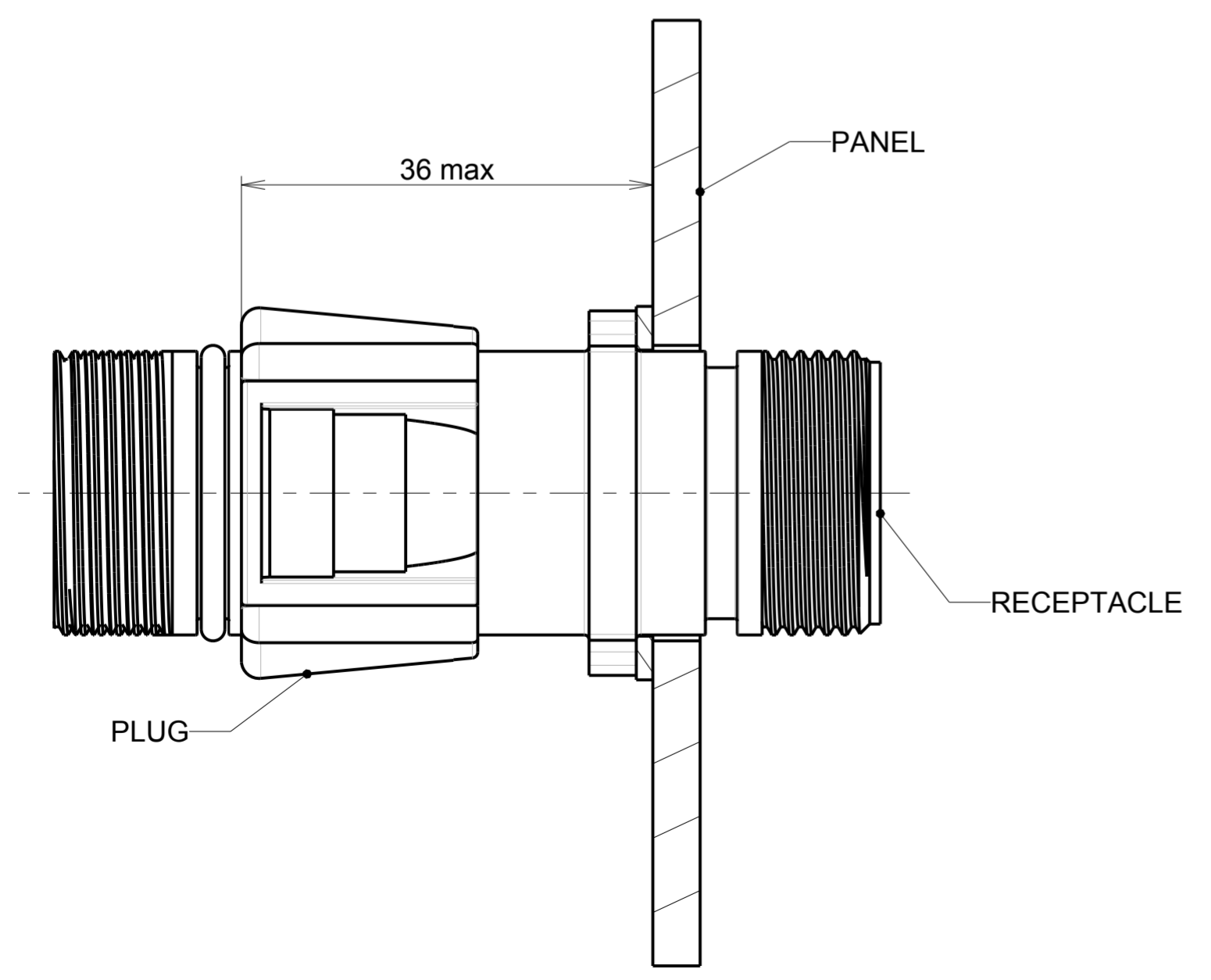
**PERFORMANCE CHARACTERISTICS :**  
 Working temperature:-30°C up to 125°C  
 Test potential: 1500Vrms  
 Contact resistance : <10mΩ  
 Corrosion salt spray:  
 - 48h Min ,  
 - >1000h (sealed mated connectors)  
 Durability:250 matings and unmatings  
 Sealing IP68 : connector + sealing gland  
 (not shown on the drawing)  
 Resistance to fluids :  
 - oil, petrol, fuel, lubricants,..



**NOTES :**  
 1.Connector accepts : 9 x # 16 mm contacts  
 2.Contacts are note included and have to be ordered separately (see clipper catalog)



MALE PLUG	WME2 0005A
FEMALE RECEPTACLE	WME2 0006A



P/N : SEE TABLE

c	31/07/13	Drawing becomes official and P/N drawing becomes WME2-0004A-C01		23017CPR
	ISS DATE	Latest modification - by: J.FEURPRIER		MOD N°
Designed by: J.FEURPRIER		Date: 14/03/11	CUSTOMER DRAWING	
TITLE		WME CONNECTOR FEMALE RECEPTACLE / MALE PLUG		
Scale	2/1	General linear Tolerances: ± 0.2	NPRDS / PROJECT IC131707A	
SOURIAU		WWW.SOURIAU.COM		This document is the property of SOURIAU It must not be reproduced or communicated without permission
FORMAT	A2	SOURIAU DRG N° WME2-0004A-C01		SHEET 1 / 1