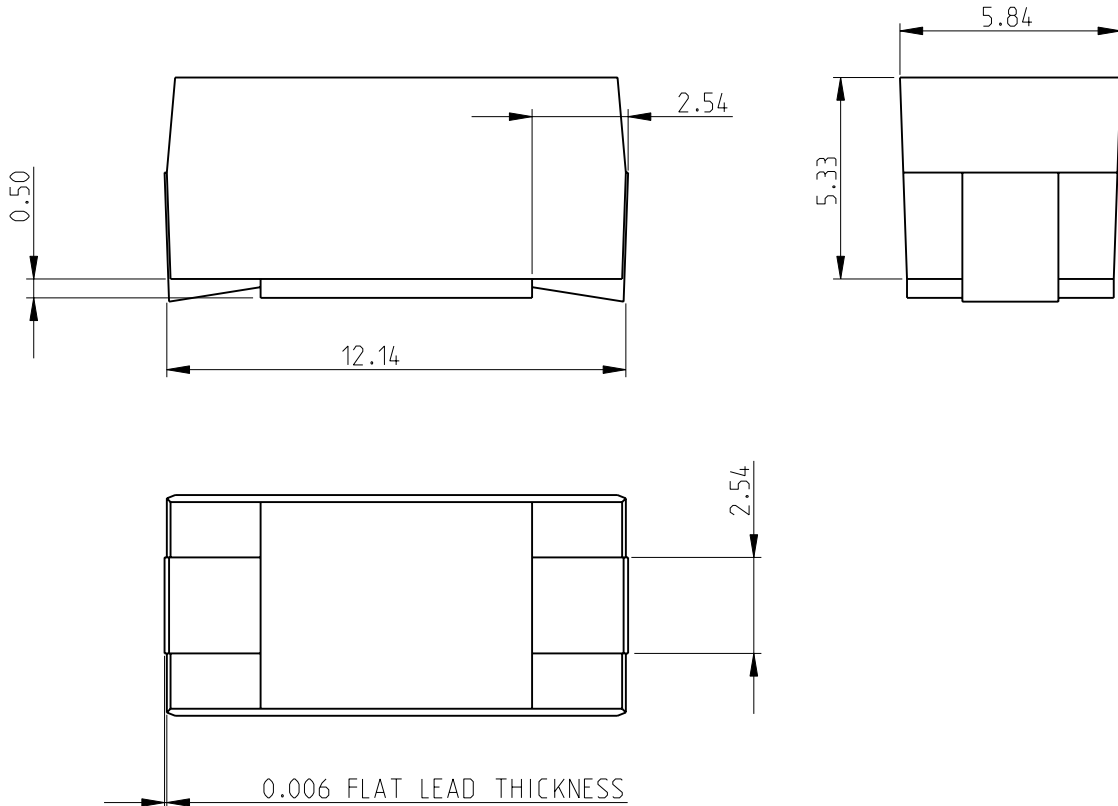
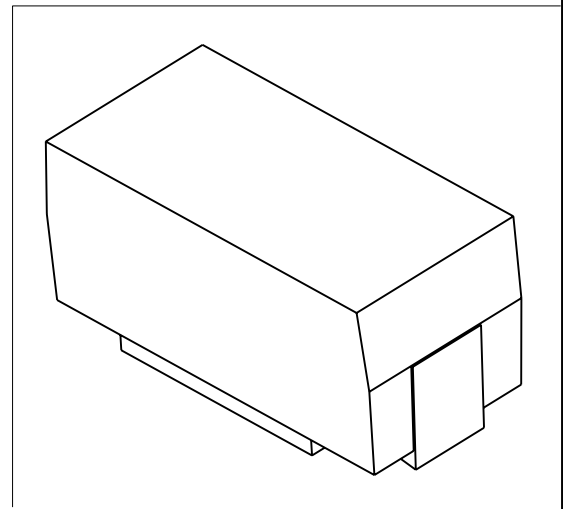
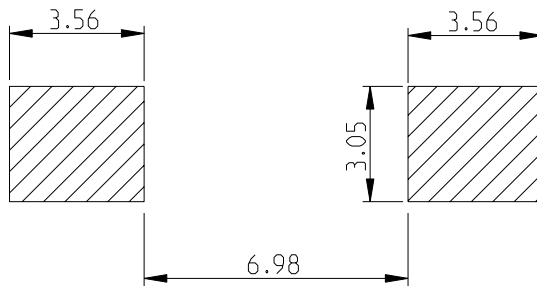


LOC	DIST	REVISIONS				
P	LTR	DESCRIPTION	DATE	DWN	APVD	
E	B	BA	NEW RELEASE	10JULY2010	PT	St.P

FOR FURTHER INFORMATION SEE DATA SHEET FOR  
SERIES S - SMD MOULDED POWER RESISTOR



RECOMMENDED LAND PATTERN



2008

RELEASED FOR PUBLICATION

THIS DRAWING IS UNPUBLISHED.

© COPYRIGHT 2008 BY TYCO ELECTRONICS CORPORATION. ALL RIGHTS RESERVED.

DIMENSIONS: mm		DWN PARUSURAM.T 10JULY2010	MATERIAL -	FINISH -
TOLERANCES UNLESS OTHERWISE SPECIFIED:		CHK ALLAN.P 10JULY2010	Tyco Electronics Corporation Dorcan, Swindon, SN3 5HH	
0 PLC ±0.2	1 PLC ±0.1	APVD STEPHEN.P 10JULY2010		
2 PLC ±	3 PLC ±	PRODUCT SPEC -	NAME SMD MOULDED POWER RESISTOR SERIES SP2	
4 PLC ±	ANGLES ±5°	APPLICATION SPEC -	SIZE A 4	CAGE CODE 00779
		WEIGHT -	DRAWING NO C-1624302	RESTRICTED TO -
CUSTOMER DRAWING			SCALE 5:1	SHEET 1 OF 1
			REV BA	