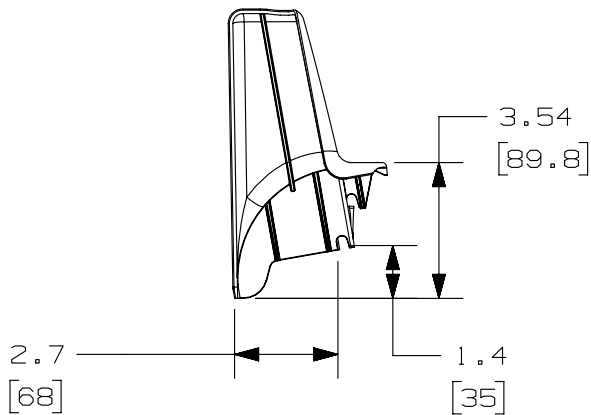
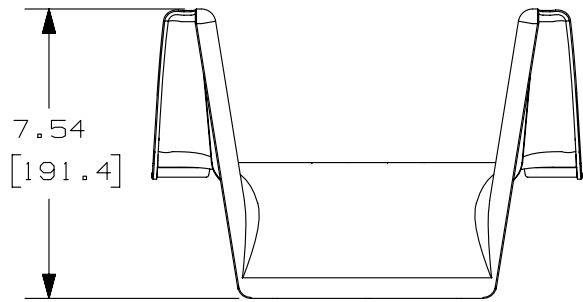
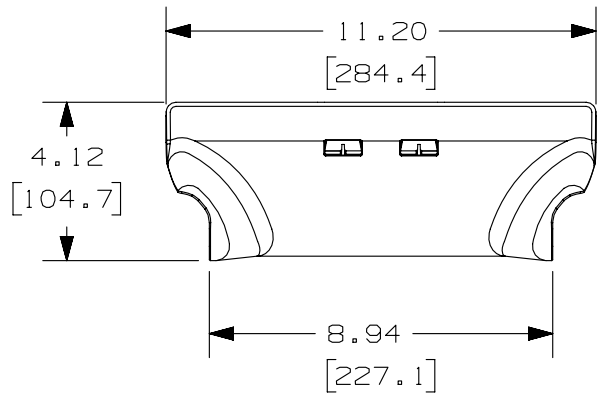
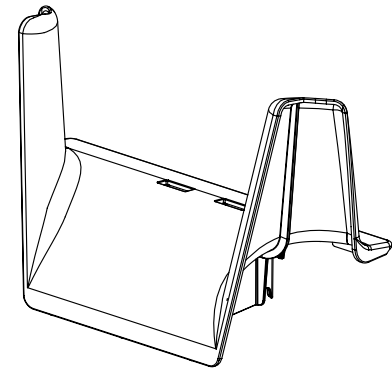


THIS COPY IS PROVIDED ON A RESTRICTED BASIS AND IS NOT TO BE USED IN ANY WAY DETRIMENTAL TO THE INTERESTS OF PANDUIT CORP.



APPROXIMATE DISTANCE FROM SIDE OF WYR-GRID PATHWAY

APPROXIMATE DISTANCE FROM BOTTOM OF WYR-GRID PATHWAY



NOTES:

1. SEE CURRENT CATALOG FOR ADDITIONAL PART SUFFIXES TO INDICATE PACKAGE QUANTITY.
2. FINISH COLOR: BLACK
3. DIMENSIONS IN PARENTHESES ARE METRIC..

PANDUIT PART NUMBER	WEIGHT
WGSWF4	0.52 LB/EACH (234 g/EACH )

TITLE		WYR-GRID 4" SIDE WATERFALL (WGSWF4)	
ITEM REVISION NAME		CUSTOMER DRAWING	
DATASET FILE NAME		10D145BB/00	
UNLESS OTHERWISE SPECIFIED, DIMENSIONAL TOLERANCES ARE: IN ( mm )		<b>PANDUIT</b> ™	
.X ±		.XXX ±	
.XX ±		ANGLES ±	
DRAWING NUMBER:		MATERIAL:	
10D145BB-DC		ABS/ BLACK	
DRAWN BY		SCALE	
SSP		NONE	
DATE		SHT 1 OF 1	
02-12-13		A	
CHK		SIZE	
EB		A	

REV	DATE	BY	CHK	APR	DESCRIPTION	ECN
R	02-12-13	SSP	EB	RN	RELEASED TO PRODUCTION	10D145BB-DC

D10100DA/12