

PART NAME: SLIDE KNOB

SCALE: 1:1

DATE: 9/19/17

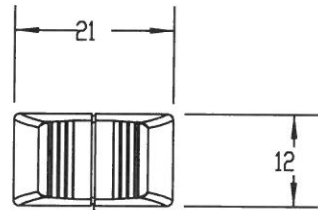
DR. BY: JAM



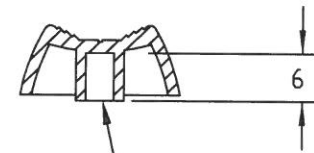
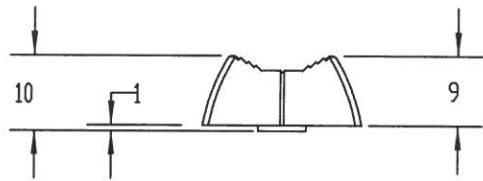
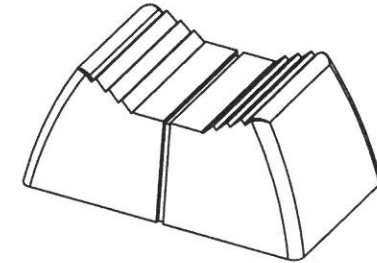
DESIGNERS & MANUFACTURERS
OF KNOBS, HANDLES, CASES &
CUSTOM PLASTIC COMPONENTS

P/N 1300-G

THIS DRAWING IS THE PROPERTY OF DAVIES MOLDING COMPANY, IS SUBMITTED SOLELY AS A DESIGN OR ENGINEERING PROJECT.
WE ACCEPT NO RESPONSIBILITY WHATSOEVER FOR THE PRACTICAL APPLICATION OF THE PIECES MADE TO THIS DESIGN

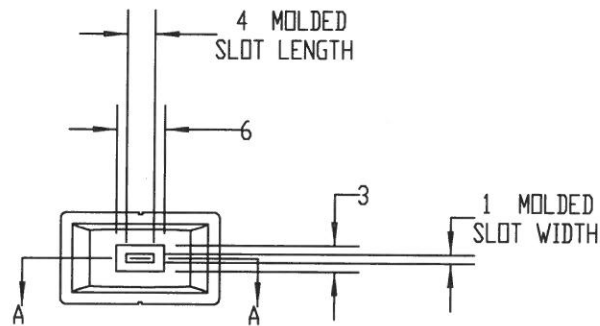


INDICATOR LINE PAINT FILLED
IN WHITE ON TOP & SIDES OF PART



MOLDED RECTANGULAR SLOT

SECTION A-A



MATERIAL: NYLON
COLOR: BLACK