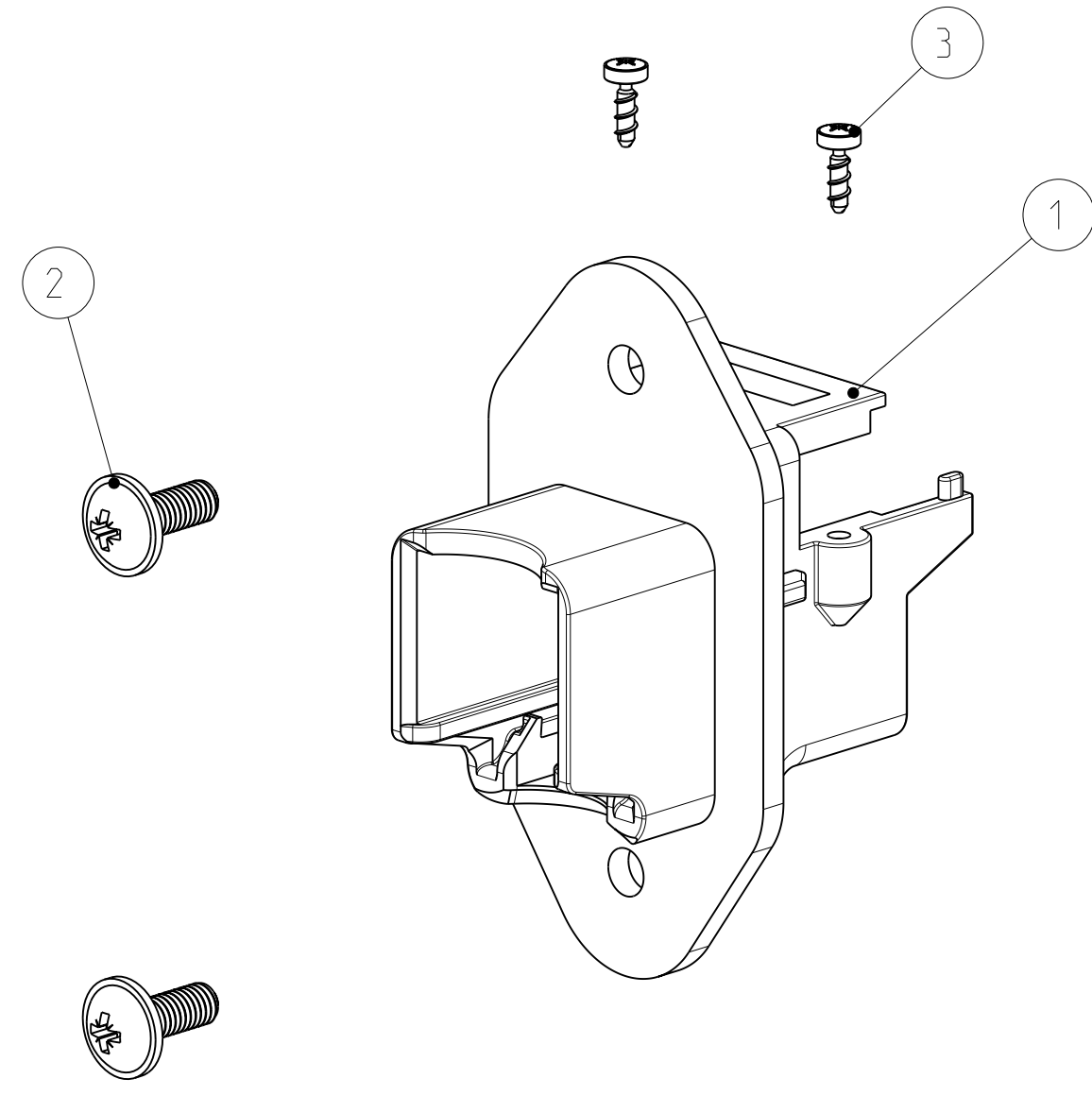
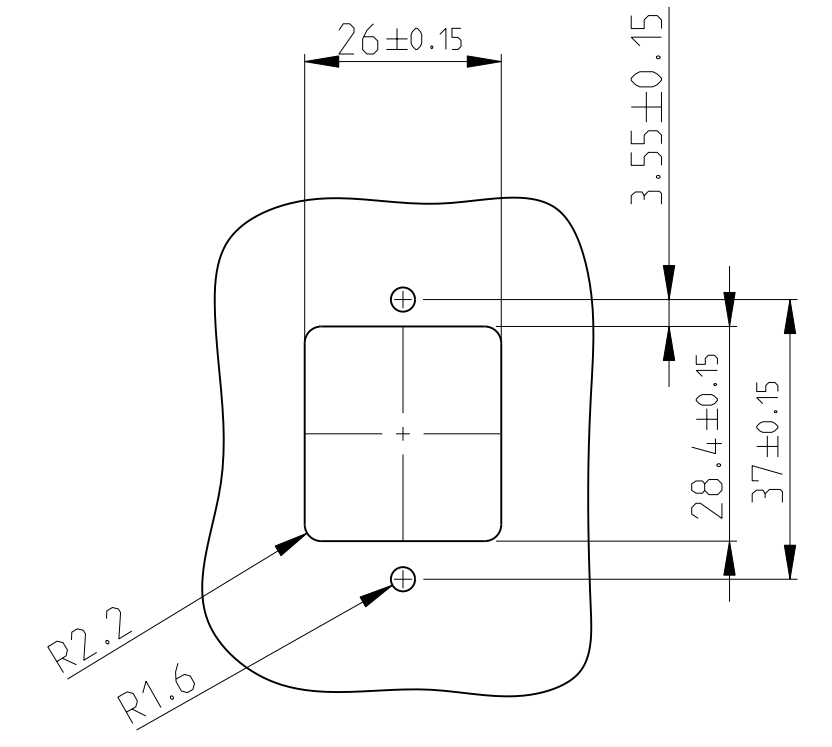
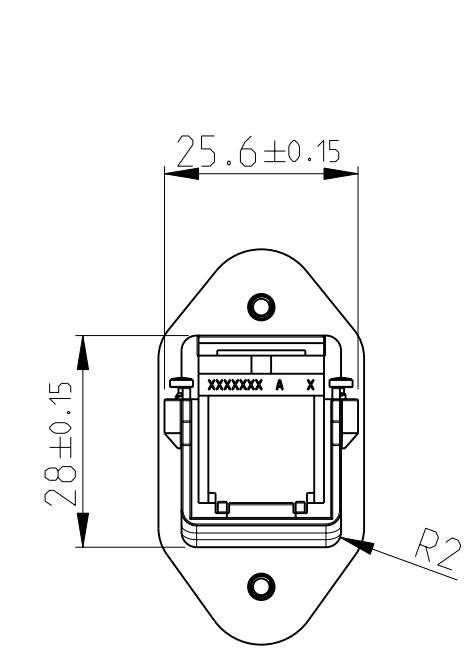


THIS DRAWING IS UNPUBLISHED. RELEASED FOR PUBLICATION 2008
 © COPYRIGHT 2008 BY TYCO ELECTRONICS CORPORATION. ALL RIGHTS RESERVED.

LOC	DIST	REVISIONS			
P	LTR	DESCRIPTION	DATE	DWN	APVD
A1		NEW DRAWING PUBLISHED	04FEB2008	N.T	R.K
A2		ECR-08-030470	08DEC2008	N.T.	R.K.
A3		EGR-09-012142	26MAY2009	N.T.	T.K.



CUT OUT FOR FITTING REQUIREMENT
 AUSSCHNITT FUER EINBAU BEDINGUNG



SCALE 1:1 / M 1:1

SCALE 1:1 / M 1:1

SINGLE PACKING: PLASTIC BAG (MINI GRIP) WITH MANUAL.
 MULTI PACKING: 50 PIECE ITEM NO. 1 IN CORD TENSIONING BAG+
 100 PIECE ITEM NO. 2 IN PLASTIC BAG (MINI GRIP) +
 100 PIECE ITEM NO. 3 PLASTIC BAG (MINI GRIP) +
 PACKED IN CORRUGATED SHIPPING BOX WITH MANUAL.

EINZELVERPACKUNG: KUNSTOFFBEUTEL (MINI GRIP) MIT ANLEITUNG.
 MEHRFACHVERPACKUNG: 50 STUECK POS. 1 IN KORDELZUG BEUTEL +
 100 STUECK POS. 2 IN KUNSTSTOFFBEUTEL (MINI GRIP) +
 100 STUECK POS. 3 IN KUNSTSTOFFBEUTEL (MINI GRIP) +
 VERPACKT IN VERSANDKARTON MIT ANLEITUNG.

QTY	REQD	PER	ASSY	MANUAL	ITEM NO
-	-	1	1	MANUAL	4
-	-	100	2	TREAD ROLLING SCREW M1.6 x 6	3
-	-	100	2	ROUND HEAD SCREW M3 x 8	2
-	-	50	1	FRAME, RJ45 CONNECTOR IP20	1

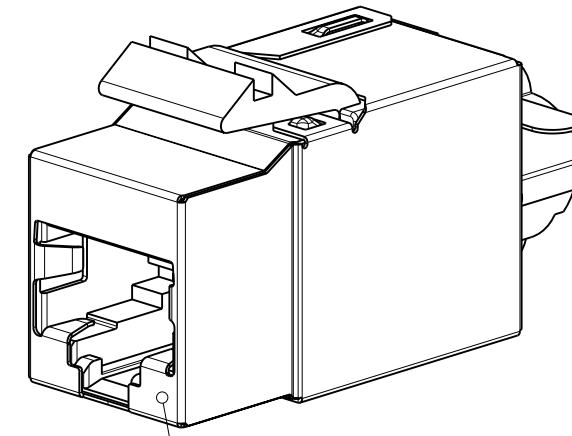
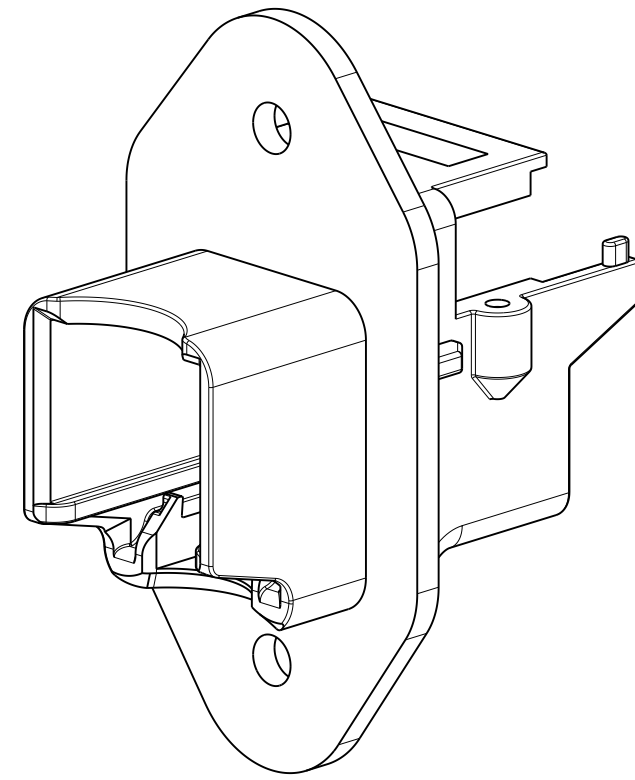
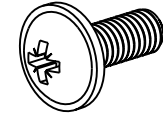
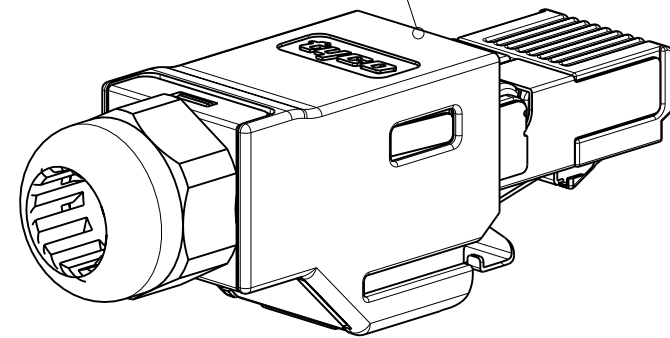
THIS DRAWING IS A CONTROLLED DOCUMENT FOR TYCO ELECTRONICS CORPORATION IT IS SUBJECT TO CHANGE AND THE CONTROLLING ENGINEERING ORGANIZATION SHOULD BE CONTACTED FOR THE LATEST REVISION.		DWN 09NOV2007 N.Thirunavukkarasu CHK 04.FEB2008 W. BOECK APVD 04.FEB2008 R. KRAEMER	Tyco Electronics Tyco Electronics AMP GmbH 64625 Bensheim (Germany)
DIMENSIONS: mm 	TOLERANCES UNLESS OTHERWISE SPECIFIED: 0 PLC ±- 1 PLC ±- 2 PLC ±- 3 PLC ±- 4 PLC ±- ANGLES ±1° FINISH	PRODUCT SPEC APPLICATION SPEC WEIGHT - CUSTOMER DRAWING	NAME ASSY, FRAME, RJ45 CONNECTOR IP20 ASSY, RAHMEN, RJ45 CONNECTOR IP20 SIZE A2 CAGE CODE 00779 DRAWING NO 1987306 RESTRICTED TO - SCALE 5:1 SHEET 1 OF 2 REV A3

THIS DRAWING IS UNPUBLISHED. RELEASED FOR PUBLICATION 2008
 © COPYRIGHT 2008 BY TYCO ELECTRONICS CORPORATION. ALL RIGHTS RESERVED.

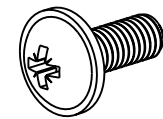
APPLICABLE VERSION
 ANWENDBARE VERSION

LOC	DIST	REVISIONS			
P	LTR	DESCRIPTION	DATE	DWN	APVD
A1	-	SEE SHEET 1	-	-	-

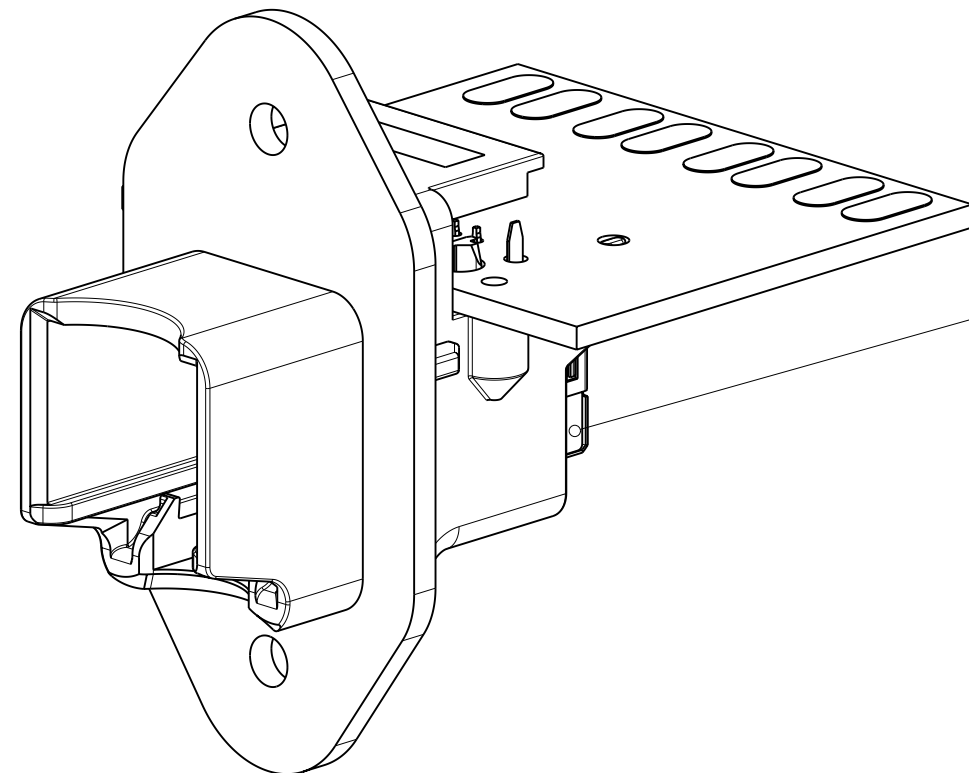
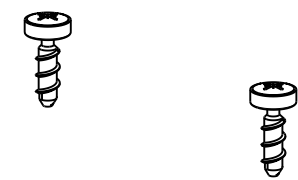
RJ 45 CONNECTOR IP20 4POS DEG
 PN: 1903526-1
 RJ 45 CONNECTOR IP20 8POS DEG
 PN: 1903527-1
 RJ45 CONNECTOR IP20 45DEG
 INDUSTRIAL ETHERNET
 PN:1987236



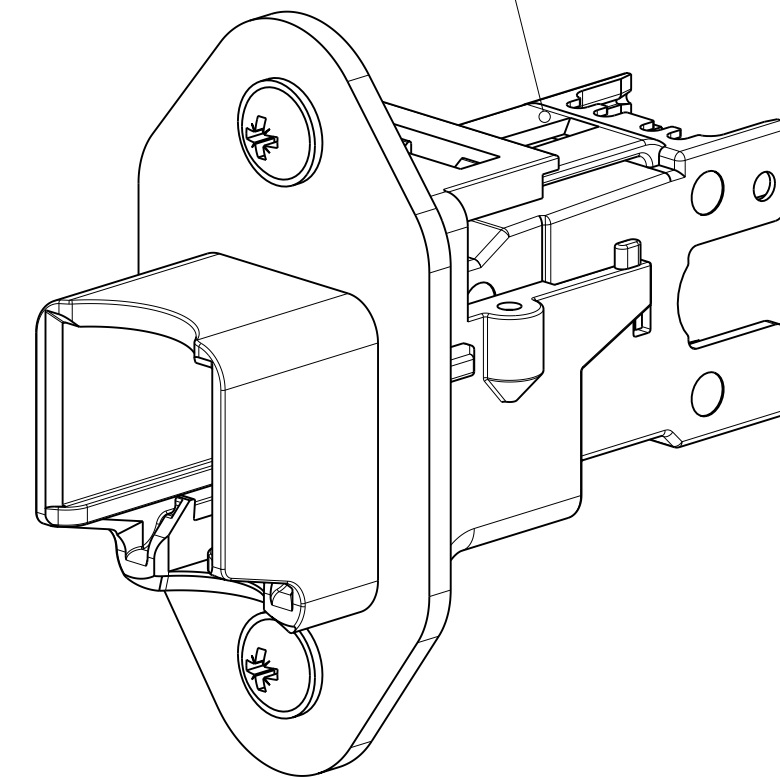
ASSEMBLY, SL 110 JACK, SHIELD, CATEGORY 5e
 PN: 1375189-1



AMP-TWIST-6S SL JACK
 PN1711342-1



INVERTED MOD JACK ASSY SHIELDED
 PN: 406541-1



<small>THIS DRAWING IS A CONTROLLED DOCUMENT FOR TYCO ELECTRONICS CORPORATION IT IS SUBJECT TO CHANGE AND THE CONTROLLING ENGINEERING ORGANIZATION SHOULD BE CONTACTED FOR THE LATEST REVISION.</small>		DWN 09NOV2007 N.Thirunavukkarasu CHK 04.FEB2008 W. BOECK APVD 04.FEB2008 R. KRAEMER PRODUCT SPEC APPLICATION SPEC WEIGHT - CUSTOMER DRAWING	Tyco Electronics Tyco Electronics AMP GmbH 64625 Bensheim (Germany)	NAME ASSY, FRAME, RJ45 CONNECTOR IP20 ASSY, RAHMEN, RJ45 CONNECTOR IP20	SIZE A2 CAGE CODE 00779 DRAWING NO. 1987306_C RESTRICTED TO -
DIMENSIONS: mm 	TOLERANCES UNLESS OTHERWISE SPECIFIED: 0 PLC ±- 1 PLC ±- 2 PLC ±- 3 PLC ±- 4 PLC ±- ANGLES ±1° FINISH	SCALE 2:1 SHEET 2 OF 2 REV A2			