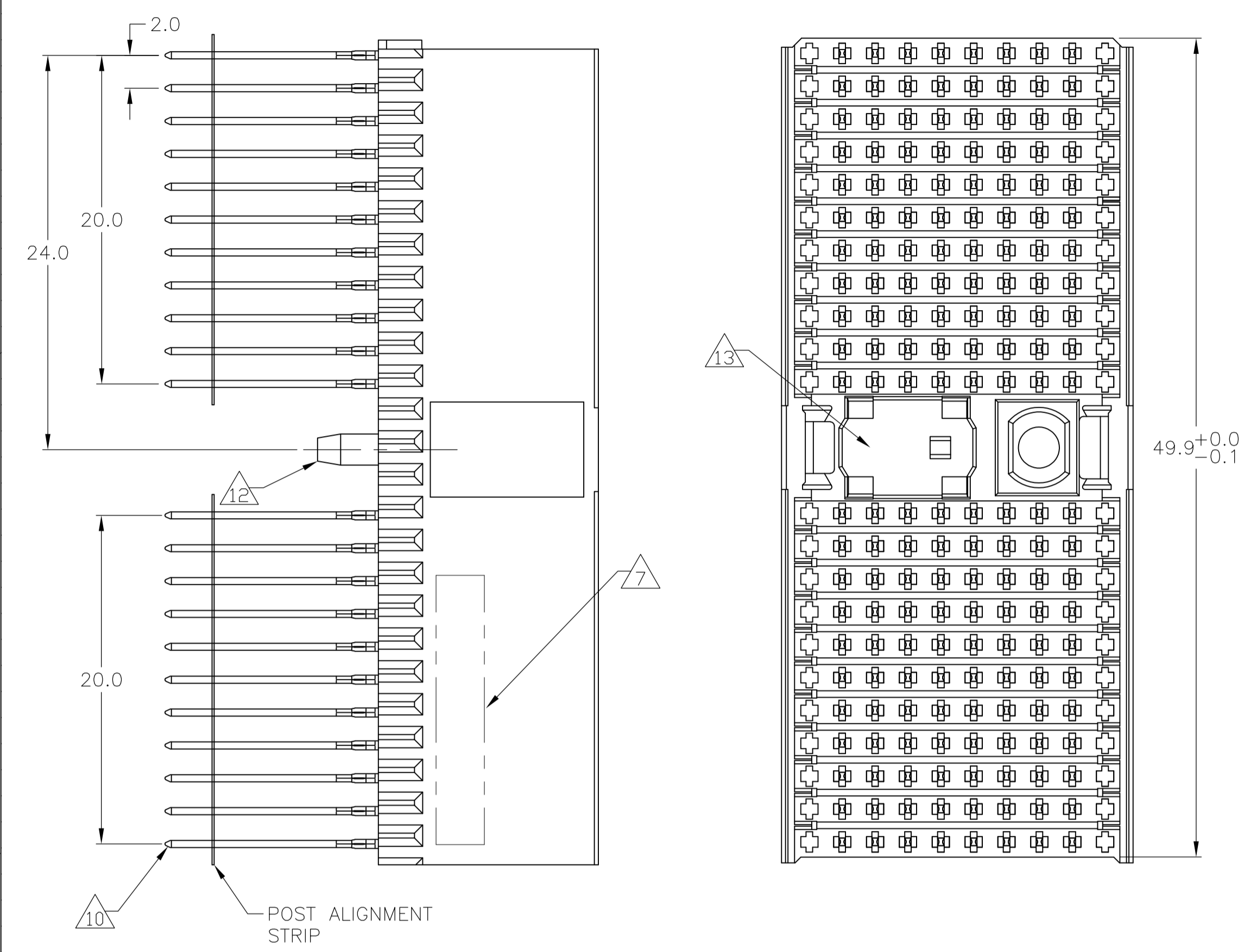
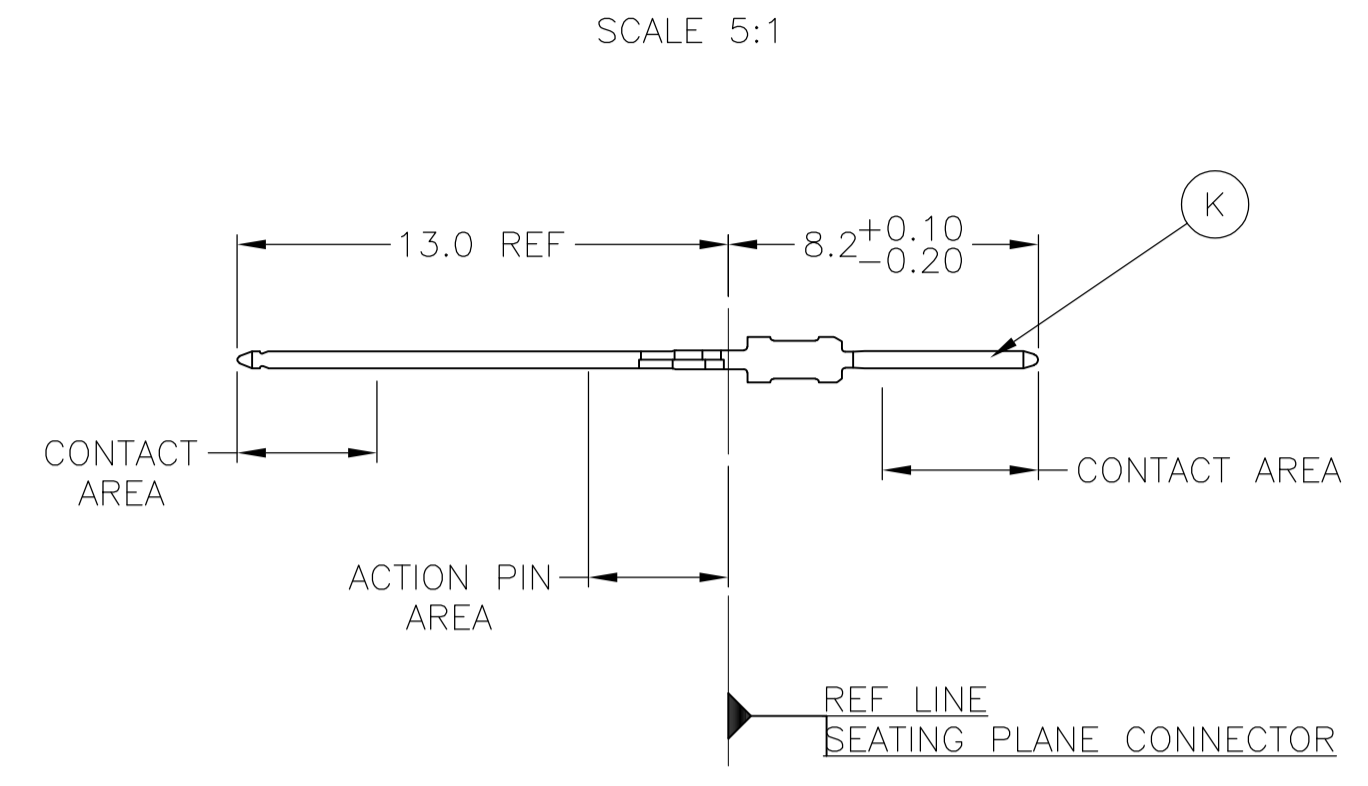


| LOC |    | DIST                         |         | REVISIONS |      |      |  |
|-----|----|------------------------------|---------|-----------|------|------|--|
| AD  | 00 | REV                          | DATE    | BY        | CHKD | APVD |  |
| A   |    | REVISED PER ECN 0512-0303-05 | 17APR06 | JDP       | GES  |      |  |
| B   |    | ECR-10-018652                | 10SEP10 | JS        | MQW  |      |  |

### CONNECTOR ASSEMBLY EXAMPLARY LOADED

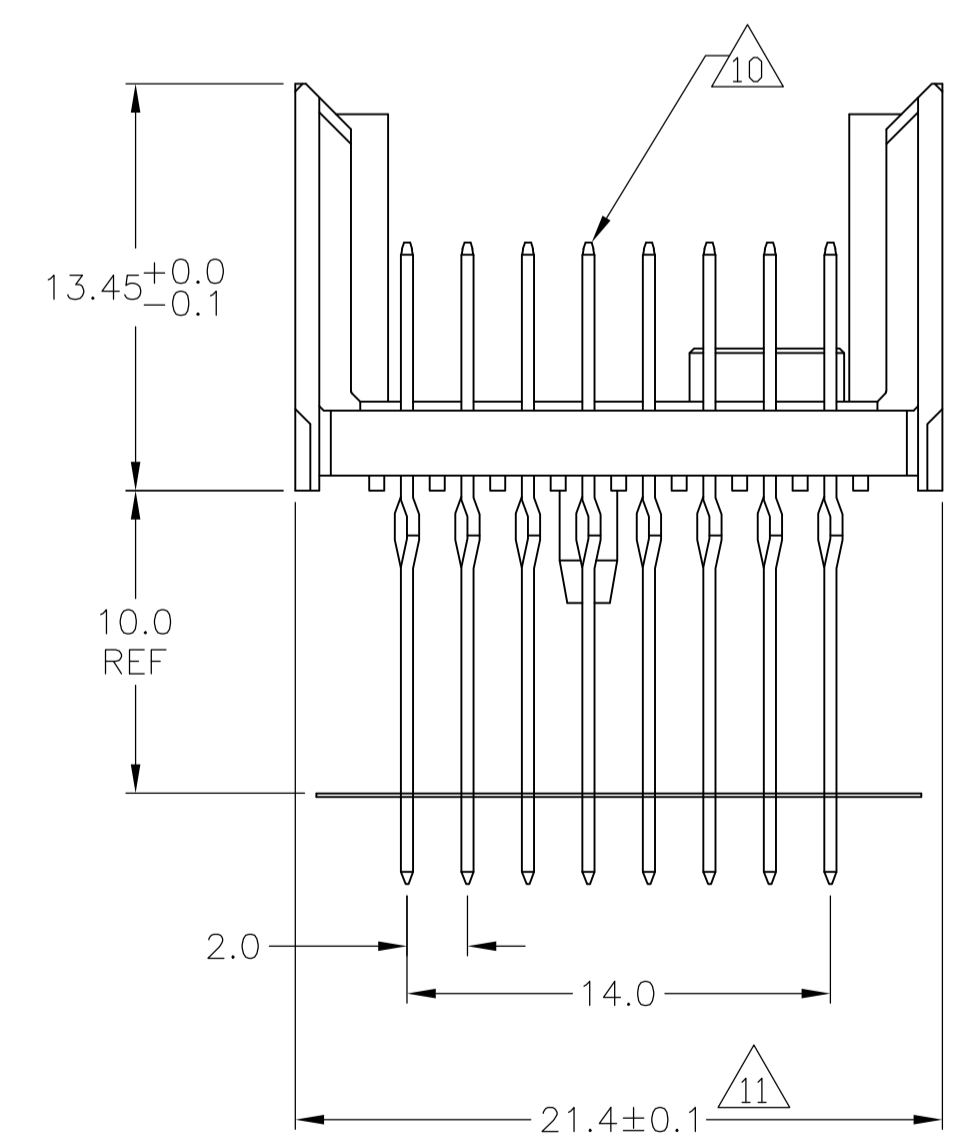


### CONTACT DIMENSIONS

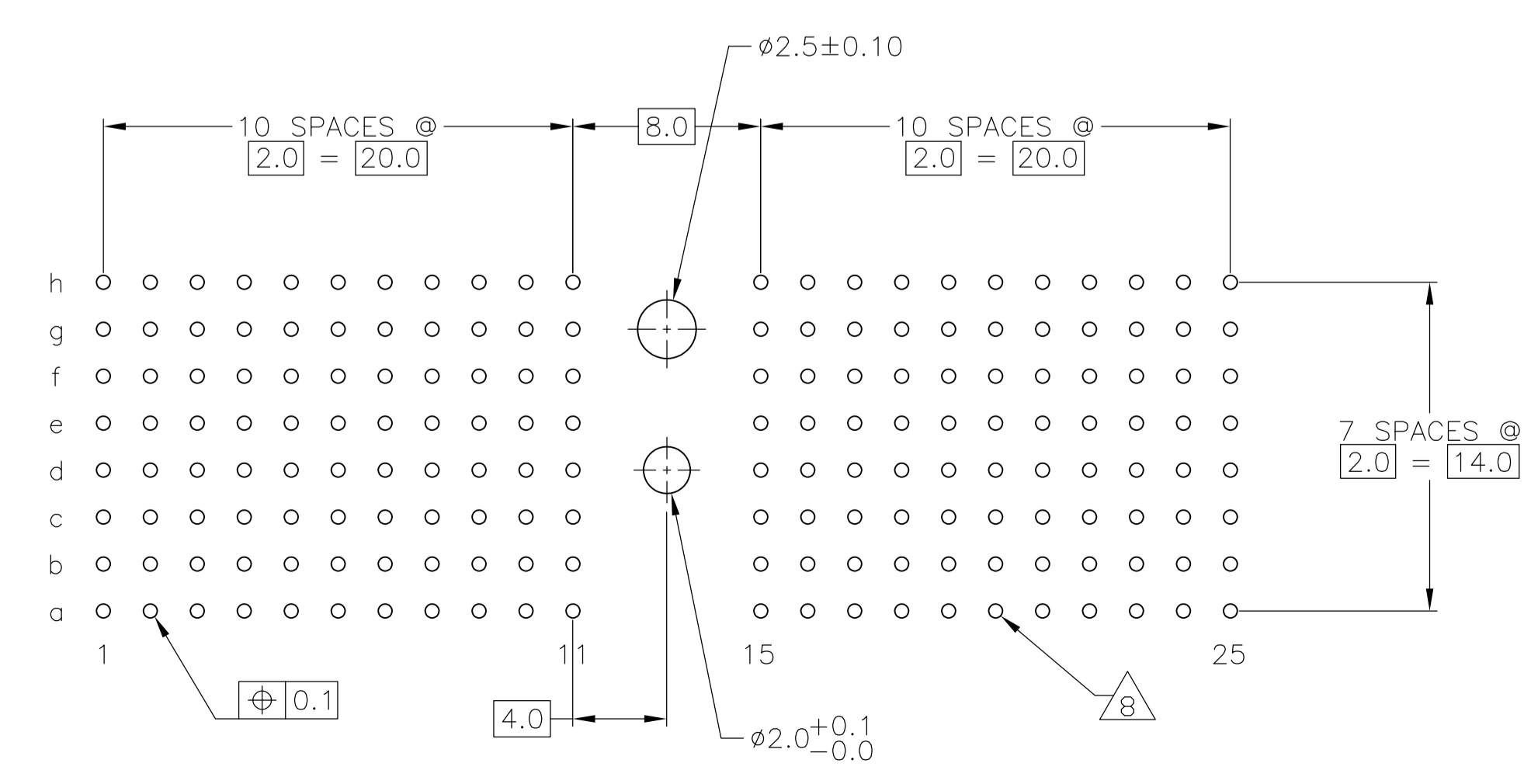


### CONTACT LAYOUT

|                      | z | a | b | c | d | e | f | g | h | i |
|----------------------|---|---|---|---|---|---|---|---|---|---|
| 1                    | K | K | K | K | K | K | K | K |   |   |
| 2                    | K | K | K | K | K | K | K | K |   |   |
| 3                    | K | K | K | K | K | K | K | K |   |   |
| 4                    | K | K | K | K | K | K | K | K |   |   |
| 5                    | K | K | K | K | K | K | K | K |   |   |
| 6                    | K | K | K | K | K | K | K | K |   |   |
| 7                    | K | K | K | K | K | K | K | K |   |   |
| 8                    | K | K | K | K | K | K | K | K |   |   |
| 9                    | K | K | K | K | K | K | K | K |   |   |
| 10                   | K | K | K | K | K | K | K | K |   |   |
| 11                   | K | K | K | K | K | K | K | K |   |   |
| MULTI PURPOSE CENTER |   |   |   |   |   |   |   |   |   |   |
| 15                   | K | K | K | K | K | K | K | K |   |   |
| 16                   | K | K | K | K | K | K | K | K |   |   |
| 17                   | K | K | K | K | K | K | K | K |   |   |
| 18                   | K | K | K | K | K | K | K | K |   |   |
| 19                   | K | K | K | K | K | K | K | K |   |   |
| 20                   | K | K | K | K | K | K | K | K |   |   |
| 21                   | K | K | K | K | K | K | K | K |   |   |
| 22                   | K | K | K | K | K | K | K | K |   |   |
| 23                   | K | K | K | K | K | K | K | K |   |   |
| 24                   | K | K | K | K | K | K | K | K |   |   |
| 25                   | K | K | K | K | K | K | K | K |   |   |



### RECOMMENDED PCB-HOLE LAYOUT COMPONENT SIDE SHOWN



### PLATED THRU HOLES PARAMETERS

REFERENCE APPLICATION SPECIFICATION

|        |             |
|--------|-------------|
| 2 6 14 | 1-5646372-9 |
| 2 5 14 | 5646372-9   |
| 2 4    | 5646372-4   |
| 2 3    | 5646372-1   |
| FINISH | PART NUMBER |

THIS DRAWING IS A CONTROLLED DOCUMENT.

|                |  |         |            |           |         |         |          |
|----------------|--|---------|------------|-----------|---------|---------|----------|
| DIMENSIONS: mm | TOLERANCES UNLESS OTHERWISE SPECIFIED: | 0-PLC ± | 1-PLC ±0.1 | 2-PLC ±   | 3-PLC ± | 4-PLC ± | ANGLES ± |
| MATERIAL       |  | FINISH  |            | SEE TABLE |         | 1       |          |

|                        |                             |                      |               |
|------------------------|-----------------------------|----------------------|---------------|
| APPROVED: G. SKIPPER   | DATE: 13JUL05               | DESIGNED: S. WAITMAN | DATE: 13JUL05 |
| PRODUCT SPEC: 108-1622 | APPLICATION SPEC: 114-19029 | SIZE: A1             | SCALE: 4:1    |
| CUSTOMER DRAWING       |                             | SHEET 1 OF 2         |               |

**Tyco Electronics**  
Tyco Electronics Corporation  
Harrisburg, Pa 17105-3608

MALE ASSEMBLY, Z-PACK 2mm HM, TYPE D

00779 ©=5646372

| LOC |     | DIST        |      | REVISIONS |      |  |  |  |
|-----|-----|-------------|------|-----------|------|--|--|--|
| P   | LTR | DESCRIPTION | DATE | DN        | APVD |  |  |  |
| -   | -   | SEE SHEET 1 | -    | -         | -    |  |  |  |

- 1 MATERIAL:  
CONTACT: PHOSPHOR BRONZE.  
HOUSING: GLASS-FILLED POLYESTER.
- 2 GENERAL PLATING SPECIFICATION: UNDERPLATING  
(ENTIRE CONTACT): 1.27µm MIN NICKEL AND ACTION  
PIN: 0.5µm MIN TIN.  
FOR PLATING OF MATING SURFACES SEE APPLICABLE  
SPECIFICATION REFERENCE FOR EACH DASH NUMBER.
- 3 CONFORMS TO ALL TESTING ACCORDING TO IEC 61076-4-101  
PERFORMANCE LEVEL 2.
- 4 CONFORMS TO ALL TESTING ACCORDING TO IEC 61076-4-101  
PERFORMANCE LEVEL 1.
- 5 CONNECTOR TESTED AND QUALIFIED AGAINST TELCORDIA GR-1217-CORE QUALITY LEVEL 3,  
CENTRAL OFFICE APPLICATIONS.
- 6 CONNECTOR TESTED AND QUALIFIED AGAINST TELCORDIA GR-1217-CORE QUALITY LEVEL 3,  
UNCONTROLLED ENVIROMENT APPLICATIONS.
- 7 CONNECTOR MARKED WITH PART NUMBER AND DATE CODE.  
ADDITIONAL CHARACTERS OR MARKINGS, AS WELL AS THE LOCATION OF THE MARKINGS,  
MAY BE ADDED FOR TRACEABILITY BASED UPON MANUFACTURERS DISCRETION.
- 8 PLATED-THROUGH HOLES AT 2x2mm SQUARE GRID  
PATTERN DEFINED BY CONTACT LAYOUT.
- 9 FOR ACTUAL PIN LOADING SEE "CONTACT LAYOUT".
- 10 FOR ACTUAL PIN DIMENSIONS SEE "CONTACT DIMENSIONS".
- 11 TO BE MEASURED AT BOTTOM OF SHROUD.
- 12 POLARIZATION FEATURE.
- 13 AREA RESERVED FOR KEYING PART (BASIC P/N 100525).
- 14 CONNECTOR LUBRICATED WITH BELCORE APPROVED LUBRICANT,  
TECHNICAL REFERENCE: TR-NWT-001217 ISSUE 1, SEP 1992.

|  |  |  |  |   |  |
|--|--|--|--|---|--|
| THIS DRAWING IS A CONTROLLED DOCUMENT. |  | DIN S. WAITMAN 13JUL05   |  | Tyco Electronics Corporation<br>Harrisburg, Pa 17105-3608 |  |
| DIMENSIONS:<br>mm                      |  | TOLERANCES UNLESS OTHERWISE SPECIFIED:<br>0-PLG ±<br>1-PLG ±0.1<br>2-PLG ±<br>3-PLG ±<br>4-PLG ±<br>ANGLES ±1° |  | APVD G. SKIPPER 13JUL05                                   |  |
|  |  | PRODUCT SPEC<br>108-1622   |  | NAME<br>MALE ASSEMBLY, Z-PACK 2mm HM,<br>TYPE D           |  |
| MATERIAL<br>SEE SHEET 1                |  | FINISH<br>SEE SHEET 1  |  | APPLICATION SPEC<br>114-19029                             |  |
|  |  | WEIGHT<br>-  |  | SIZE<br>A1  |  |
|  |  | CUSTOMER DRAWING   |  | SCALE 4:1 SHEET 2 OF 2 REV B                              |  |