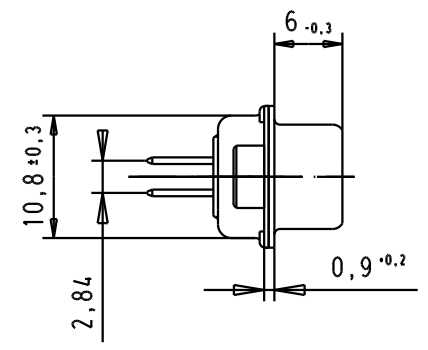
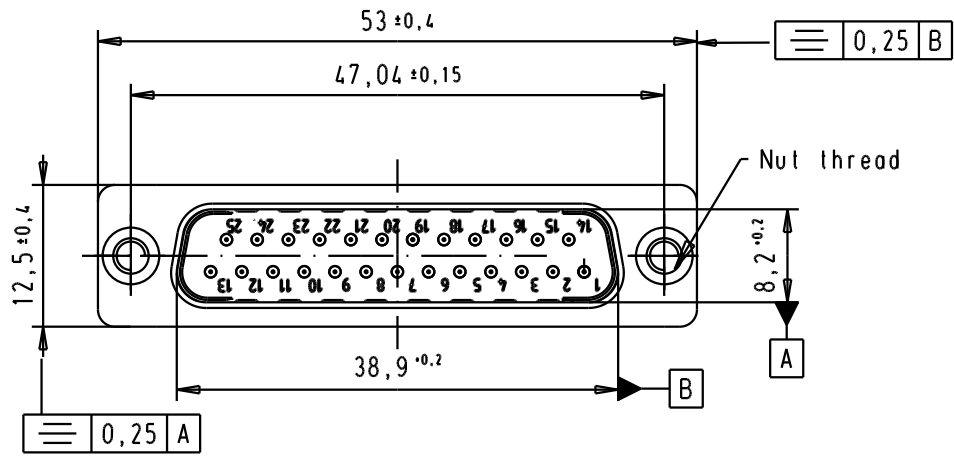


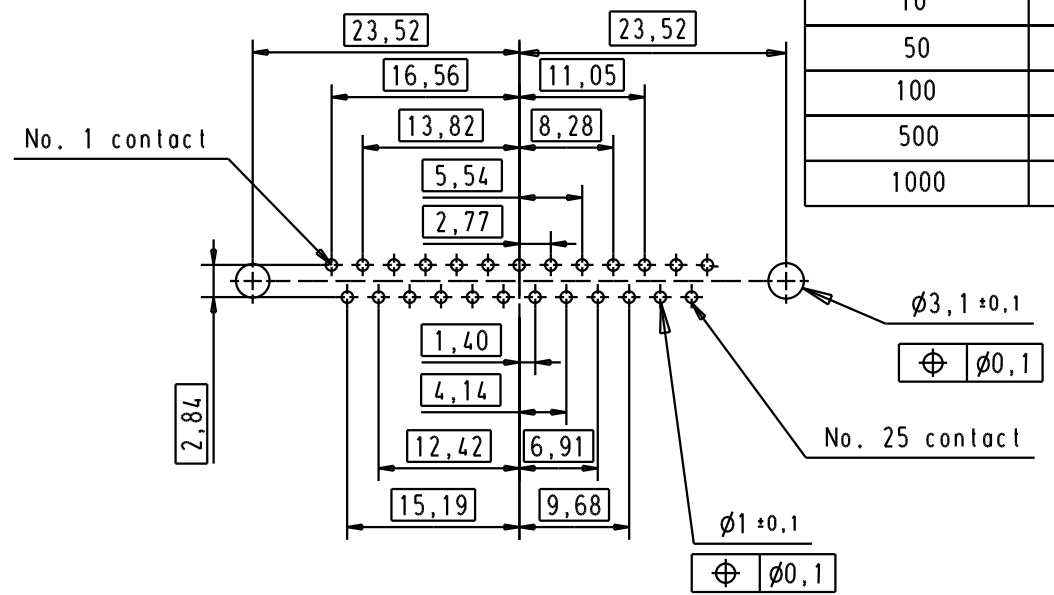
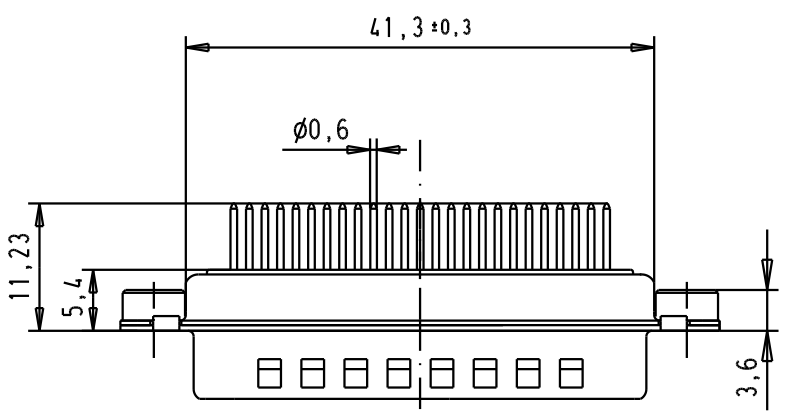
SPECIFICATION

Mating Cycles	500
Filter type	C
Capacitance	1000pf±20%
Working Voltage	100v
Current Rating	7.5A
Insulation Resistance	>1GΩ

FREQUENCY (MHz)	ATTENUATION (dB)
5	1dB
10	3dB
50	12dB
100	20dB
500	34dB
1000	30dB



PCB Layout, Component side



					<table border="1"> <tr> <td>Detail.</td> <td>Dat.</td> <td>Name</td> </tr> <tr> <td>Insp.</td> <td>8-JUL-02</td> <td>CV</td> </tr> <tr> <td>Stand.</td> <td></td> <td></td> </tr> </table>		Detail.	Dat.	Name	Insp.	8-JUL-02	CV	Stand.			<p>All Dim. in mm Orig. Size DIN A 4</p>		<p>D-Sub, male, straight, 25 Poles, solder pins, tin plated shell with dimples and clinch nuts</p>		<p>Ma?Mstab/ Scale</p> <p>1.5:1</p>
Detail.	Dat.	Name																		
Insp.	8-JUL-02	CV																		
Stand.																				
09643227238	M3	33079	29/08/05	JMDR	<p>HARTING EURL F-95972 Paris</p>		<p>TB 0964322723x</p>		<p>Blatt/ Page</p> <p>3 / 3</p>											
09643227237	UNC 4-40	31058	8-JUL-02	CV					Sub.											
Part number	Nut thread	Mod.	Dat.	Name																