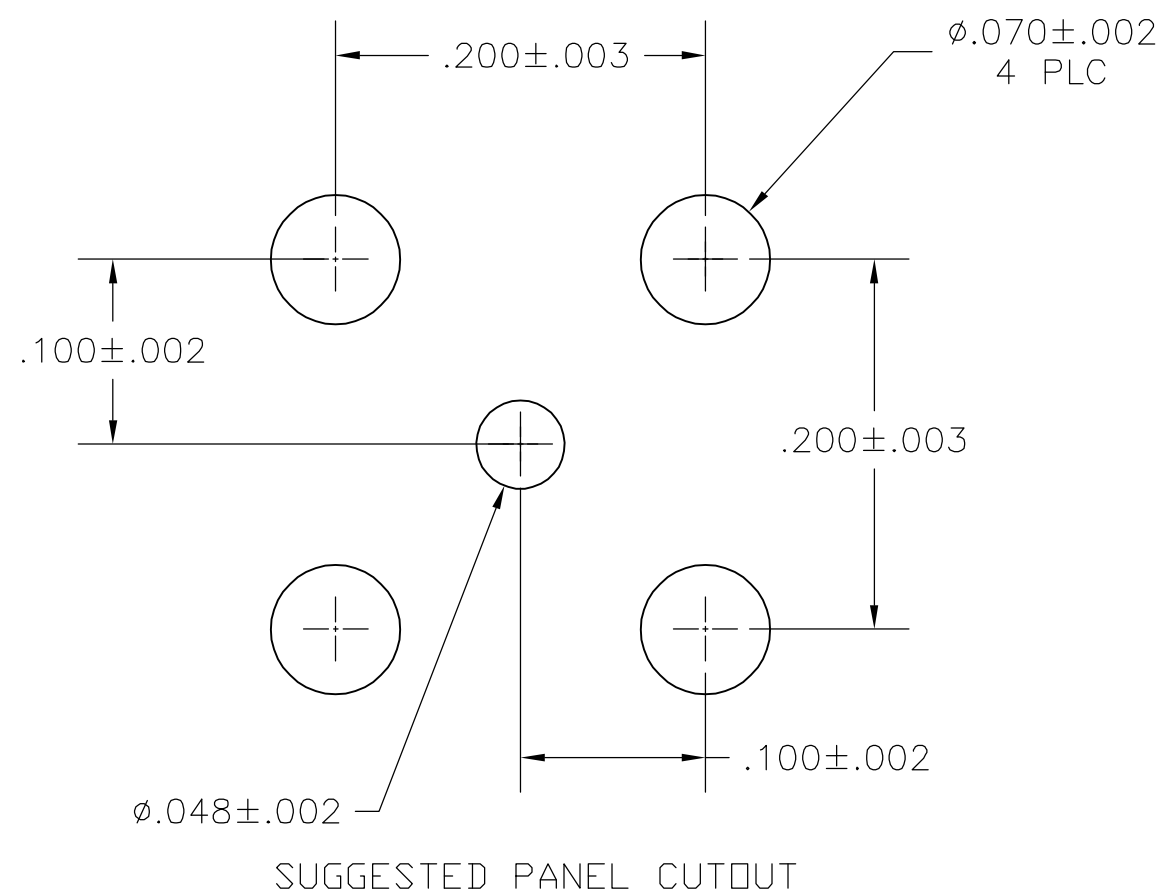
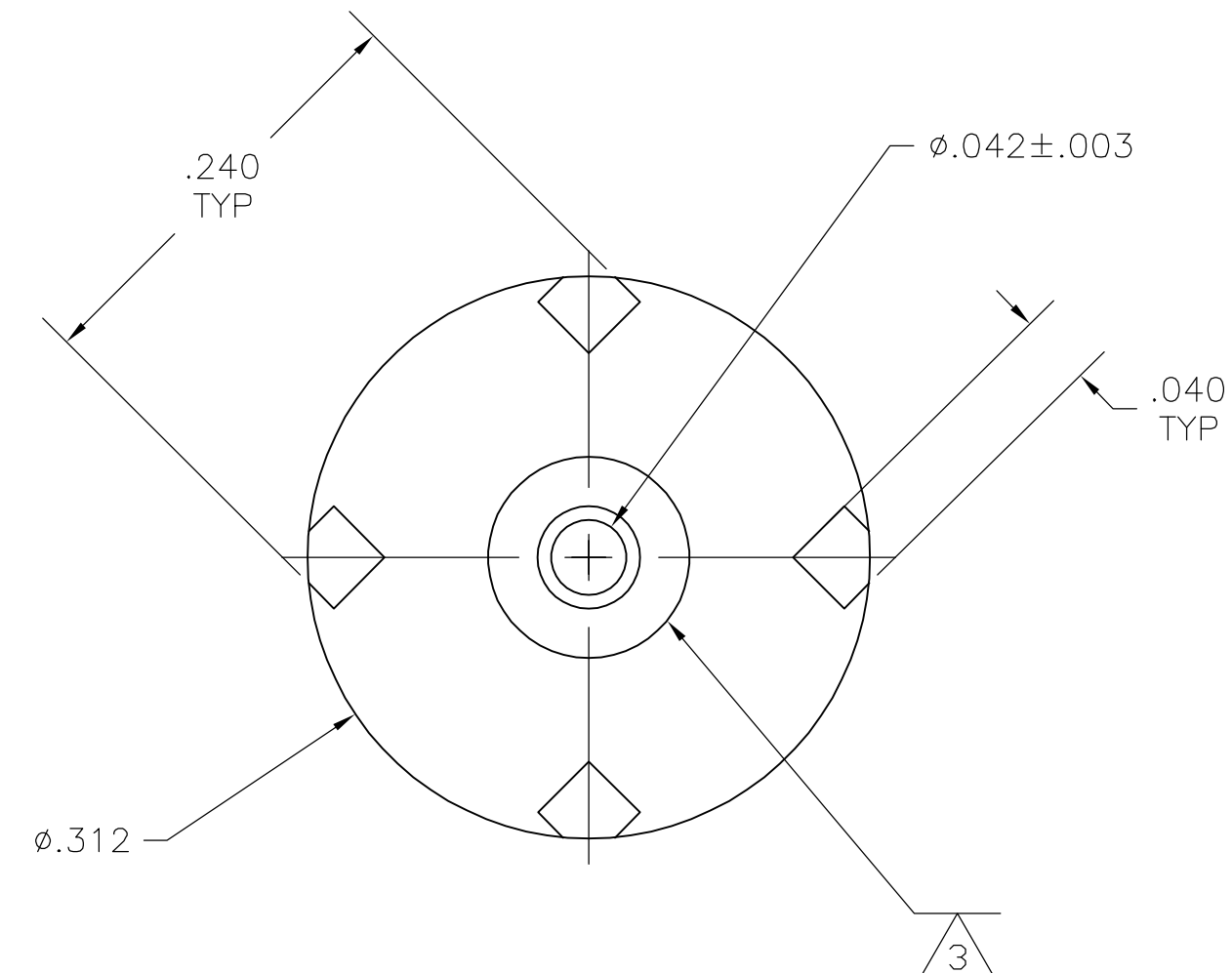
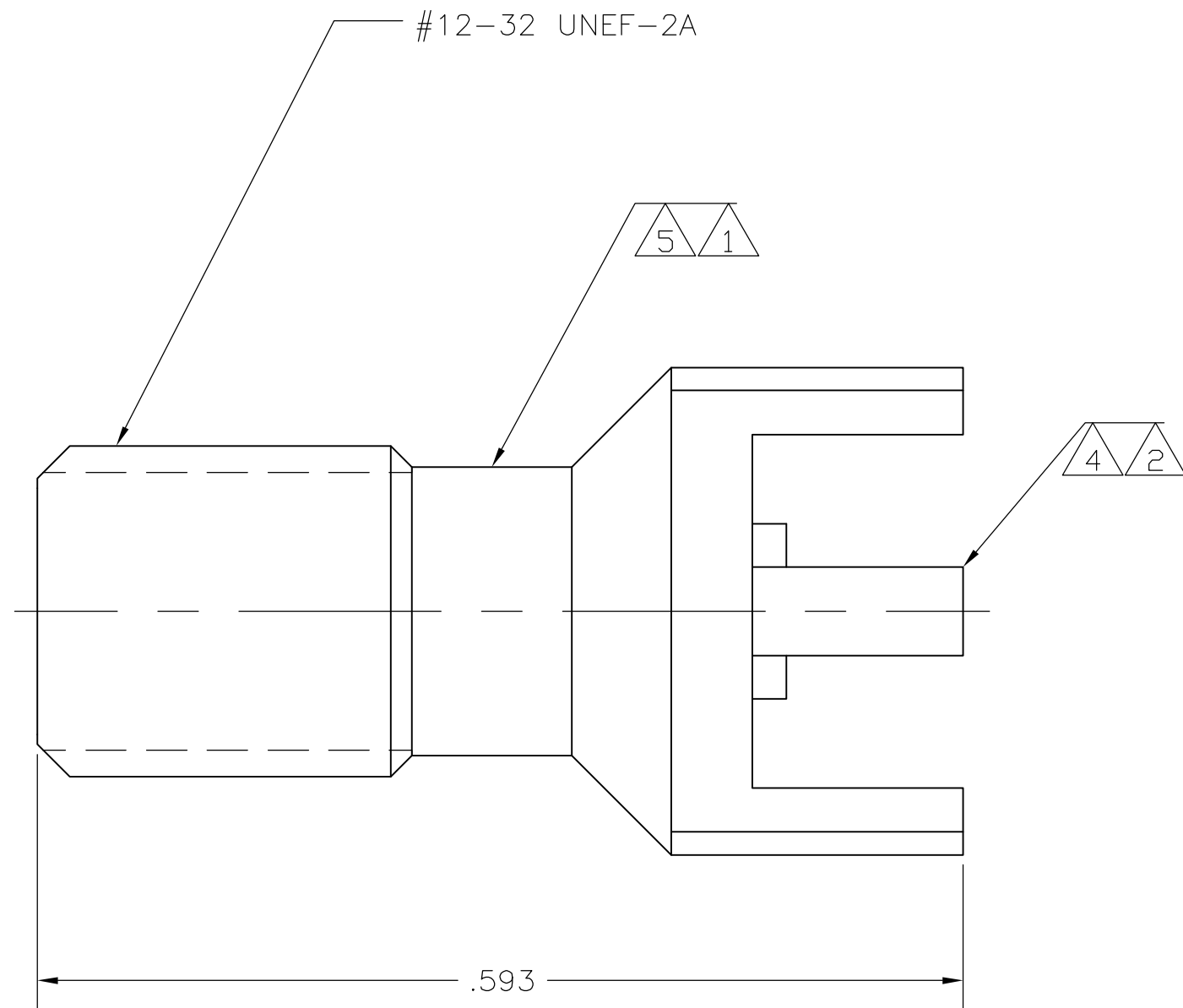


THIS DRAWING IS UNPUBLISHED. RELEASED FOR PUBLICATION  
 © COPYRIGHT BY TYCO ELECTRONICS CORPORATION. ALL RIGHTS RESERVED.

| LOC | DIST | REVISIONS               |         |     |      |
|-----|------|-------------------------|---------|-----|------|
| P   | LTR  | DESCRIPTION             | DATE    | DWN | APVD |
| DF  | X5   |                         |         |     |      |
| E   |      | REV PER EC 0H14-0486-04 | 14SEP05 | VF  | CT   |

- ① BRASS PER ASTM-B-16.
- ② BERYLLIUM COPPER PER ASTM-B-196.
- ③ PTFE PER ASTM-D-1710.
- ④ GOLD PLATE PER ASTM-B-488 OVER NICKEL PLATE PER QQ-N-290.
- ⑤ SILVER PLATE PER QQ-S-365 OVER NICKEL PLATE PER QQ-N-290.



331899  
PART NUMBER

|  |  |                                    |  |                    |
|--|--|------------------------------------|--|--------------------|
| THIS DRAWING IS A CONTROLLED DOCUMENT.   |  | DWN<br>V. FURLER<br>01SEP05        | tyco<br>Electronics<br>Tyco Electronics Corporation<br>Harrisburg, Pa 17105-3608 |                    |
| DIMENSIONS:<br>INCHES  |  | CHK<br>T.W. FITZGERALD<br>01SEP05  | NAME<br>CONNECTOR COAXIAL, R.F. ADAPTER,<br>PCB, RECPT, SERIES, MIN THREADED     |                    |
| TOLERANCES UNLESS<br>OTHERWISE SPECIFIED:                                      |  | APVD<br>T.W. FITZGERALD<br>01SEP05 | PRODUCT SPEC   | APPLICATION SPEC   |
| 0 PLC ± -<br>1 PLC ± -<br>2 PLC ± -<br>3 PLC ± .008<br>4 PLC ± -<br>ANGLES ± - |  | WEIGHT                             | SIZE<br>A2   | CAGE CODE<br>00779 |
| MATERIAL<br>① ② ③  |  | FINISH<br>④ ⑤                      | DRAWING NO<br>C=331899   | RESTRICTED TO      |
| CUSTOMER DRAWING   |  |                                    | SCALE<br>8:1   | SHEET<br>1 OF 1    |
|  |  |                                    | REV<br>E   |                    |