

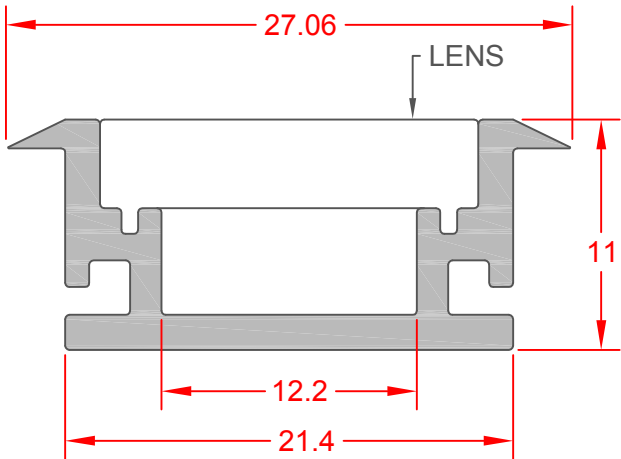
ALUMINUM LED CHANNEL

FEATURES

Compatible with all 8,10, and 12mm wide LED Flex Ribbons.

Each Channel includes 2 End Caps and Frosted Lens.

Recessed design allows for flush mounting

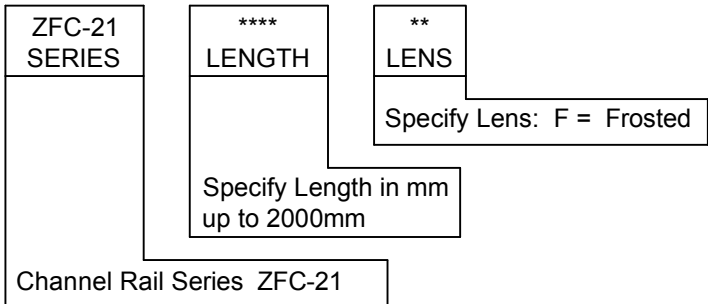


NOTES:



1. Channel Material 6063 Al Clear Anodized with a Matte Finish.
2. Lens Material is Polycarbonate.
3. Operating Temperature -26 C to +100C.



CHANNEL LENGTH AND LENS ORDERING GUIDE



JKL Part Number Example: ZFC-211000-F
Channel Series with 1 Meter (1000mm) Length and Frosted Lens.

			METRIC  THIRD ANGLE PROJECTION		DIMENSIONS ARE IN mm (INCHES) TOLERANCE UNLESS OTHERWISE SPECIFIED 1 PL +/- REF. 2 PL +/- REF. ANGLE +/-		 JKL COMPONENTS CORPORATION									
					TITLE RECESSED ALUMINUM LED CHANNEL											
A TITLE & FEATURES CHANGES RELEASED			8/4/15 7/30/14	DRAWN BY L. WENGSTROM	APPVD BY S.C.	DATE 8/4/15	SIZE A	FSCM NO. 55335	DRAWING NO. ZFC-21 MULTI							
REV. NO.	DESCRIPTION/ECO NUMBER	APPVD DATE	- CAD DRAWING - MANUAL REVISIONS NOT PERMITTED				SCALE	NONE	RELEASED DATE	7/30/14	REVISION DATE	8/4/15	REV. NO.	A	SHEET	1 OF 1