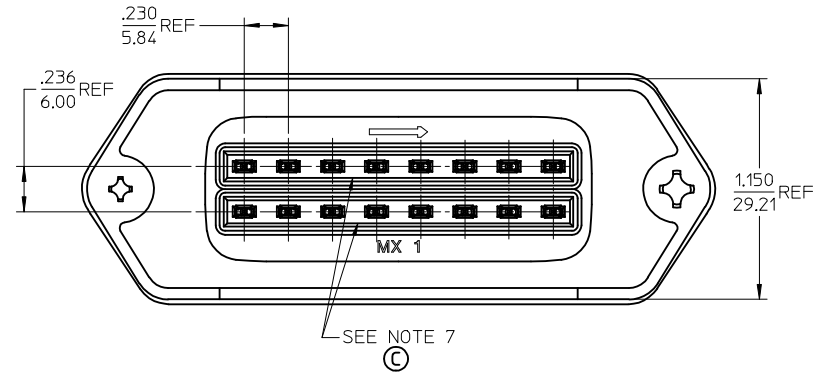
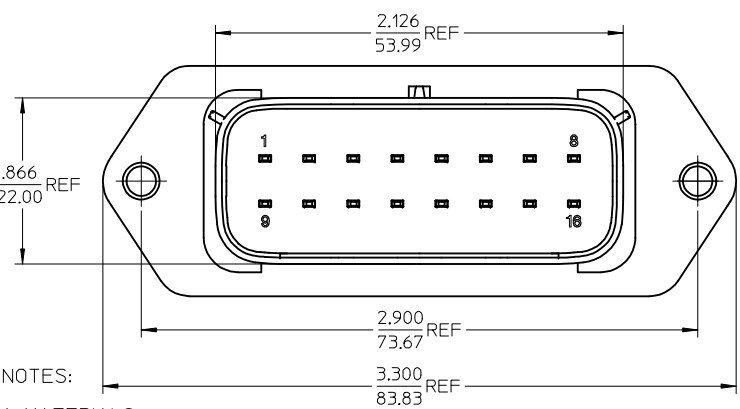
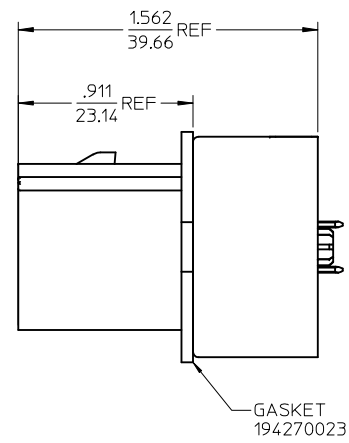
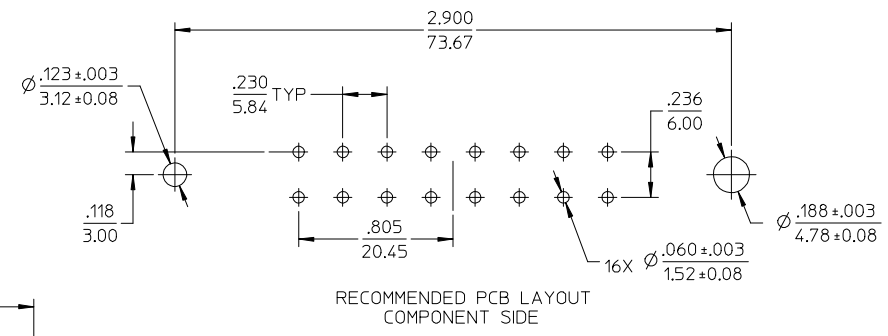
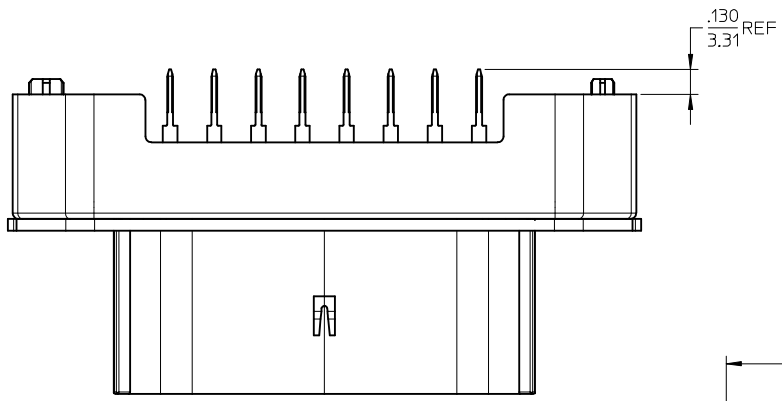
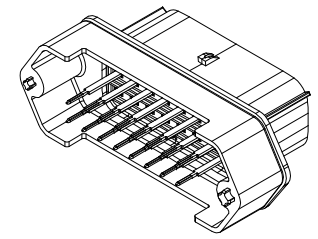
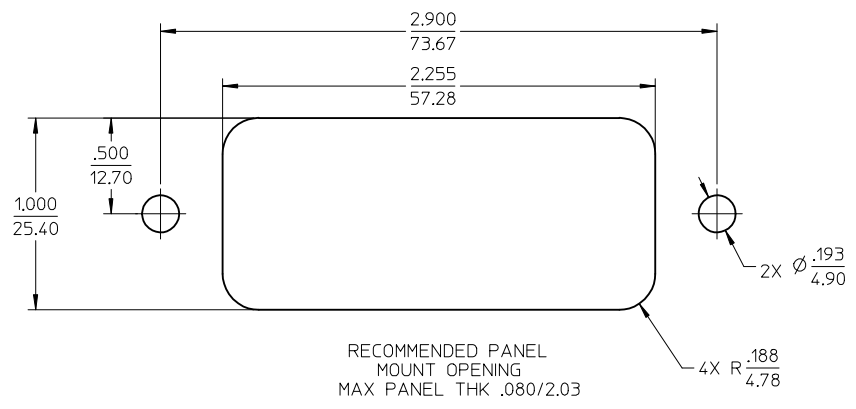


MATERIAL NUMBER	TERMINAL FINISH	TERMINAL PIN POTTING
19428-0002	TIN	NO
19428-0024	TIN/GOLD	
19428-0040	TIN	YES
19428-0041	TIN/GOLD	



- NOTES:
- MATERIALS:
HOUSING: POLYESTER (PBT), GLASS FILLED, UL94 V-0,
COLOR: BLACK
TERMINALS: COPPER ALLOY
TERMINAL POTTING AS APPLICABLE: ELASTOMERIC SILICONE.
 - FINISHES: 1. TIN ONLY: 100µN TIN OVER 50µN NICKEL
2. TIN/GOLD: 30µN SELECT GOLD (CONTACT MATING AREA),
100µN SELECT TIN (PCB TAIL AREA) OVER 50µN NICKEL OVERALL.
 - PRODUCT SPECIFICATION: PS-19428-001.
 - PACKAGING SPECIFICATION: PK-19428-001.
 - MATES WITH: 19418 SERIES RECEPTACLE ASSEMBLIES.
 - RECOMMENDED MOUNTING HARDWARE: (2) #10 X .62/18.9 LONG PLASTIC
THREAD CUTTING SCREWS. RECOMMENDED TORQUE 15-17 IN-LBS.
SUGGESTED SOURCE: ITW SHAKEPROOF INDUSTRIAL BOSSCREW OR EQUIVALENT.
 - ELASTOMERIC SILICONE APPLIED IN TERMINAL WELLS. SEE CHART.
 - ASSEMBLY IS ROHS COMPLIANT.

ADDED MAT. NOS. EC NO: ETC2007-0238 DRWN: JPWLICK 2006/12/11 CHKD: JPWLICK 2006/12/11 APPR: JPWLICK 2006/12/12	QUALITY SYMBOLS ▽=0 ▽=0	GENERAL TOLERANCES (UNLESS SPECIFIED)		DIMENSION STYLE IN/MM		SCALE 2:1	DESIGN UNITS INCH	THIRD ANGLE PROJECTION
		4 PLACES ± --- ± --- 3 PLACES ± --- ± .015 2 PLACES ± 0.38 ± --- 1 PLACE ± --- ± --- ANGULAR ± 1°	mm INCH ± --- ± --- ± .015 ± --- ± --- ± --- ± ---	DRAWN BY DMYRICK	DATE 04/07/07	TITLE 16-WAY STRAIGHT HEADER ASSEMBLY, LONG VERSION		
REV	DESCRIPTION	DRAFT WHERE APPLICABLE MUST REMAIN WITHIN DIMENSIONS		APPROVED BY RDEROSS		DATE 04/07/07	MOLEX INCORPORATED	
		MATERIAL NO. SEE CHART		DOCUMENT NO. SD-19428-016		SHEET NO. 1 OF 1		

THIS DRAWING CONTAINS INFORMATION THAT IS PROPRIETARY TO MOLEX INCORPORATED AND SHOULD NOT BE USED WITHOUT WRITTEN PERMISSION