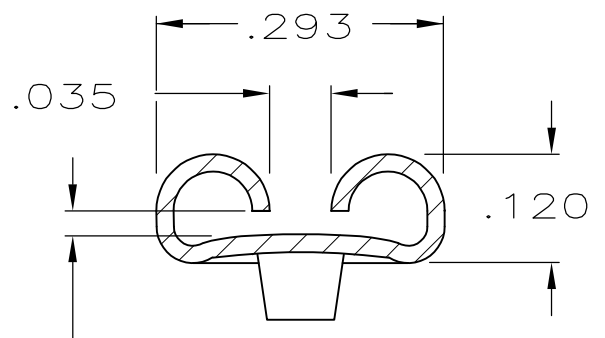
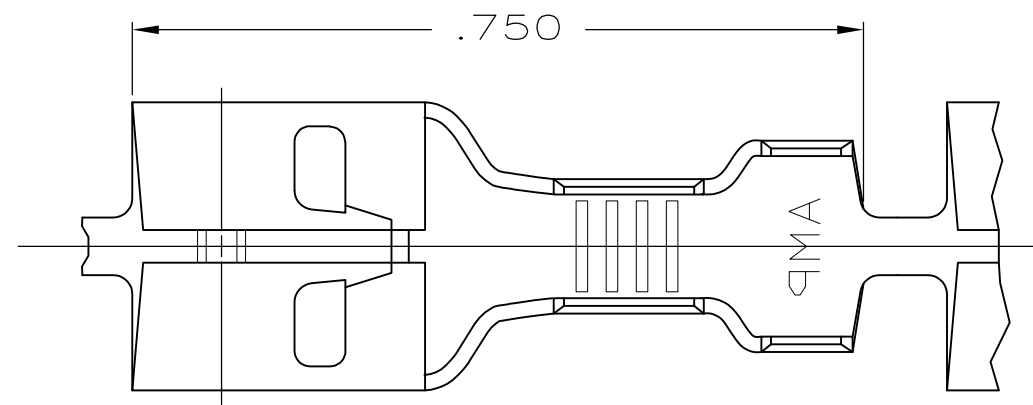


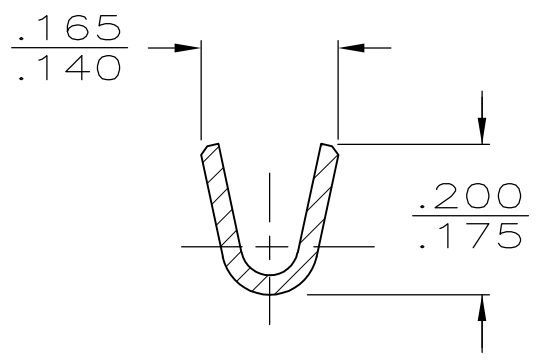
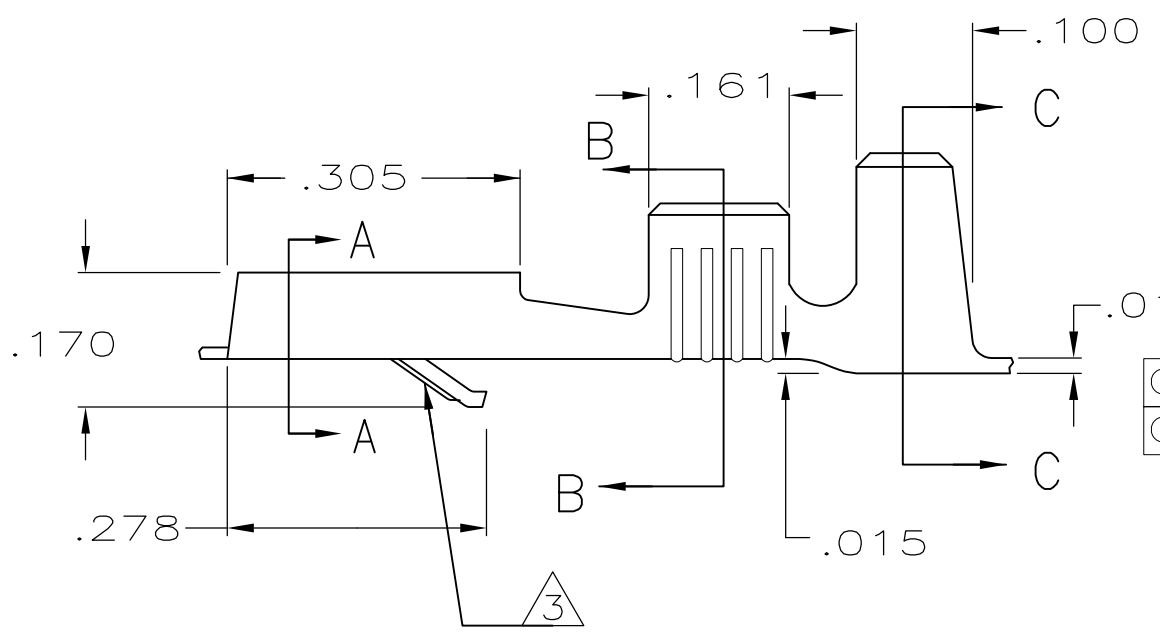
THIS DRAWING IS UNPUBLISHED. RELEASED FOR PUBLICATION
 © COPYRIGHT - By - ALL RIGHTS RESERVED.

LOC	DIST	REVISIONS					
AF	50	P	LTR	DESCRIPTION	DATE	DWN	APVD
			K	REVISED PER ECR-11-018063	22DEC11	KH	PD

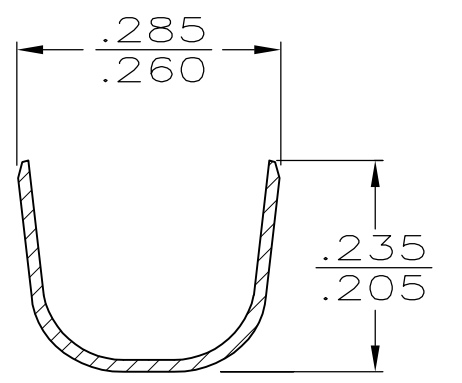


SECTION A-A

- △ 1 FOREIGN PRODUCTION ONLY
- 2 CONTINUOUS STRIP ON REELS
- △ 3 RIB ON 1-60253-2 ONLY.



SECTION B-B



SECTION C-C

OBSOLETE	OBSOLETE	16-12	.032	.160-.210 OR (2) -.130 MAX	TIN-PL .000080 MIN	#4H BRASS	△ 1 1-60253-2 △ 3
					SILVER .000150 MIN	#4H BRASS	60253-3
					TIN	#4H BRASS	60253-2
					NONE	#4H BRASS	60253-1 △ 1
		WIRE SIZE	TAB THK ±.001	INSUL. RANGE	FINISH	MATERIAL	PART NO

THIS DRAWING IS A CONTROLLED DOCUMENT.

DIMENSIONS: INCHES	TOLERANCES UNLESS OTHERWISE SPECIFIED:	DWN DK SCHRUM 4/10/89	 TE Connectivity			
	0 PLC ± - 1 PLC ± - 2 PLC ± - 3 PLC ± .015 4 PLC ± - ANGLES ± -	CHK JR RUTH 4/17/89				
		APVD J GILLESPIE 5/19/89				
		PRODUCT SPEC				
MATERIAL SEE TABLE	FINISH SEE TABLE	APPLICATION SPEC	NAME RECEPTACLE, FASTIN-FASTON, .250 SERIES			
		WEIGHT -	SIZE A3	CAGE CODE 00779	DRAWING NO C-60253	RESTRICTED TO -
CUSTOMER DRAWING			SCALE 5:1	SHEET 1 OF 1	REV K	