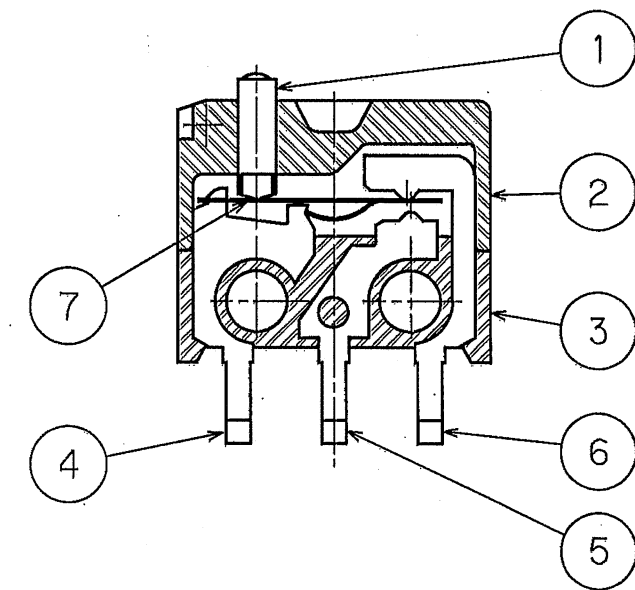
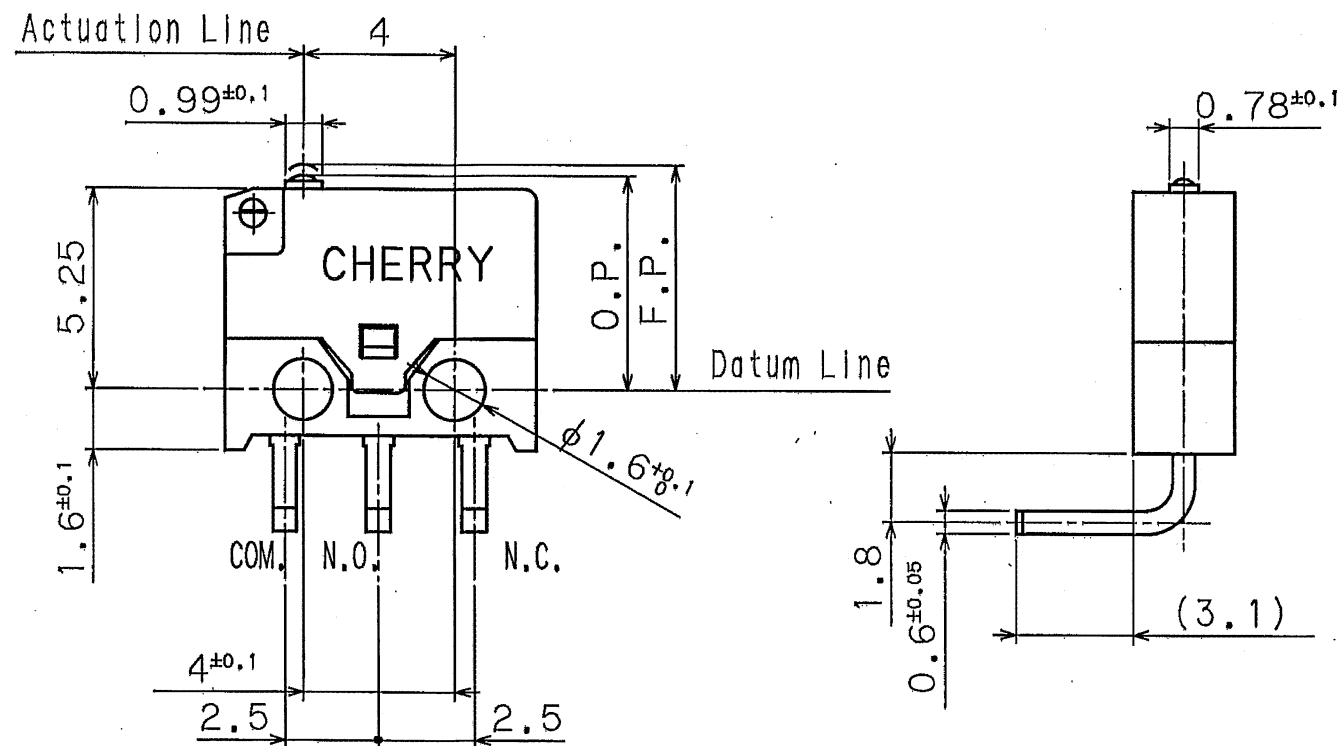


LOT No.  
REF:01 3 A  
A: MON.~WED.  
B: THU.~SAT.  
'03 year  
1 week

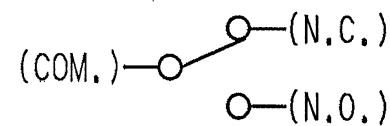
NO.	NAME	MATERIAL	Qty
1	BUTTON	PBT	1
2	COVER	PBT	1
3	BASE UNIT	PPS(COLOR:BLACK)	1
4	TERMINAL(COM.)	BRASS(NI+Au PLATED)	1
5	TERMINAL(N.O.)	BRASS(NI+Au PLATED)	1
6	TERMINAL(N.C.)	BRASS(NI+Au PLATED)	1
7	BLADE	STAINLESS(NI+Au PLATED)	1



CONSTRUCTION

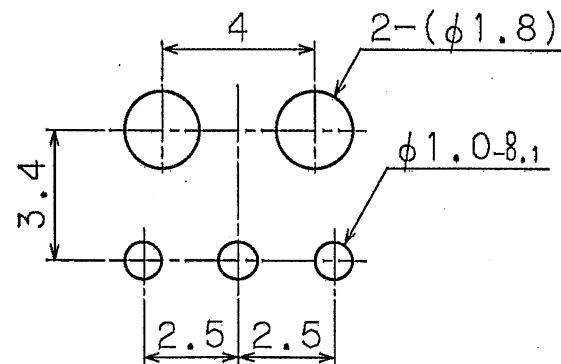
Note.1. Tolerance; unless otherwise specified ±0.2mm

CIRCUITRY



P-C Board Layout

Tolerance; ±0.05  
(TOP VIEW)



REVISION	DATE	REVISION	DATE	DWN	CKD	APP	REMARKS
ECN-64687	10 Nov. '03			H. Hagiwara	T. Miyabuchi		
EDITION 1 FIXED	10 Nov. '03						
REVISION	DATE	REVISION	DATE	SCALE	UNITS	PROJ.	
				NON	mm	3RD	
HIROSE CHERRY							DIVISION
							GEOO
Title	Micro Switch	Part No.	DH4C-C6AA	DWG No.	305426		