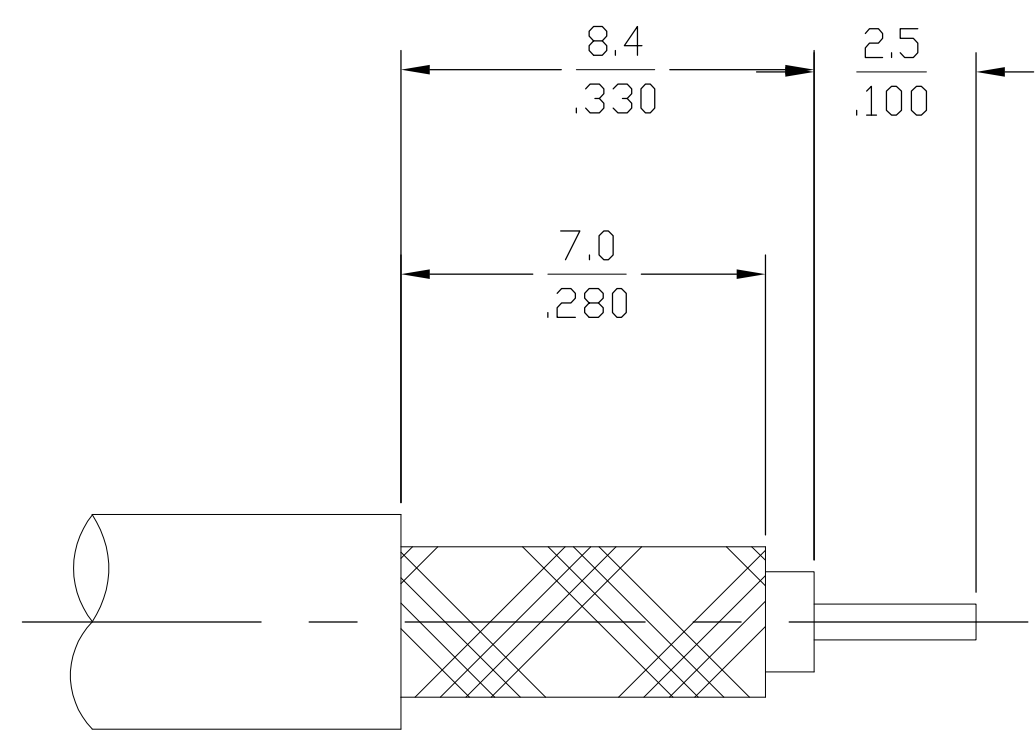
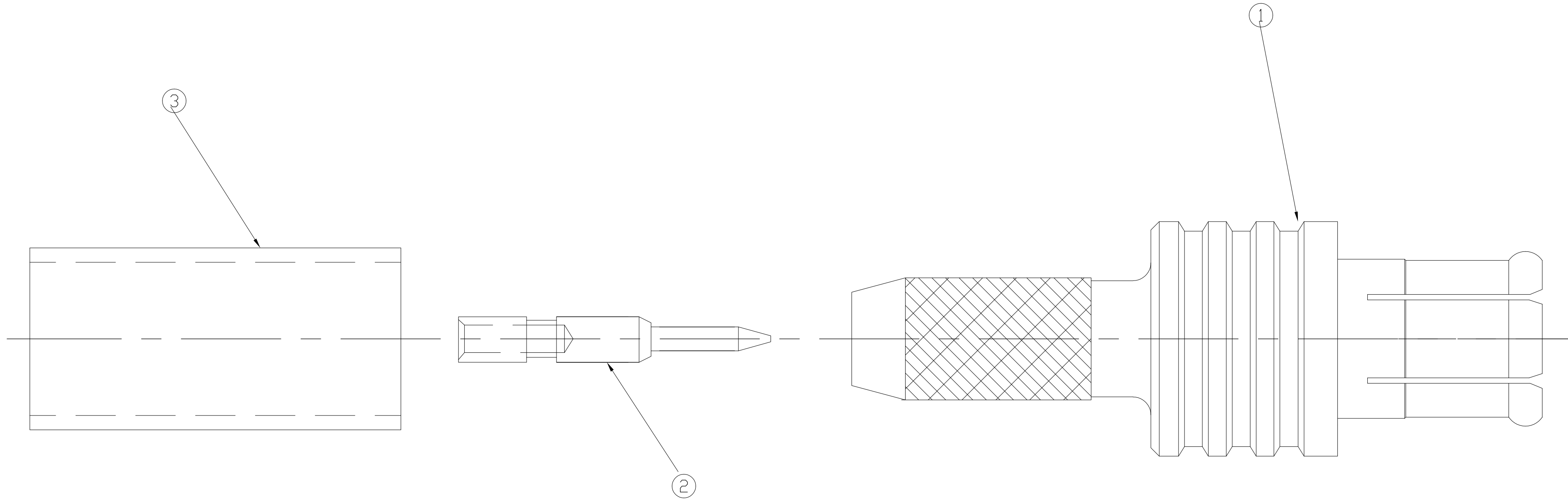


THIS DRAWING IS UNPUBLISHED. RELEASED FOR PUBLICATION
 © COPYRIGHT BY TYCO ELECTRONICS CORPORATION. ALL RIGHTS RESERVED.

LOC	DIST	REVISIONS			
P	LTR	DESCRIPTION	DATE	DWN	APVD
HC	00				
	D	REV PER ECO 08-007172	26MAR2008	DW	JL



RECOMMENDED STRIP LENGTH

1. FOR USE WITH RG-178/U & RG-196/U CABLE.

RG178/U	3-413889-0	1408060-4	1408076-1	1060869-1
CABLE SIZE	FERRULE ③ QTY=1	CONTACT ② QTY=1	PLUG ASSEMBLY ① QTY=1	PART NUMBER

THIS DRAWING IS A CONTROLLED DOCUMENT.		DWN RMF 21JUL00	Tyco Electronics Corporation Harrisburg, PA 17105-3608	
DIMENSIONS: INCHES		CHK RMF 22JUL00	NAME MCX CABLE PLUG CRIMP ATTACHMENT NICKEL PLATED	
TOLERANCES UNLESS OTHERWISE SPECIFIED:		APVD RMF 22JUL00	PRODUCT SPEC	
0 PLC ± -		APPLICATION SPEC		
1 PLC ± -		408-10131		
2 PLC ± -		WEIGHT -		
3 PLC ± 0.005		SIZE A2 CAGE CODE 00779 C=1060869		
4 PLC ± -		DRAWING NO 1060869		
ANGLES ± 1		RESTRICTED TO -		
MATERIAL -		FINISH -		
		CUSTOMER DRAWING		
		SCALE 15:1 SHEET 1 of 1 REV D		

1060869