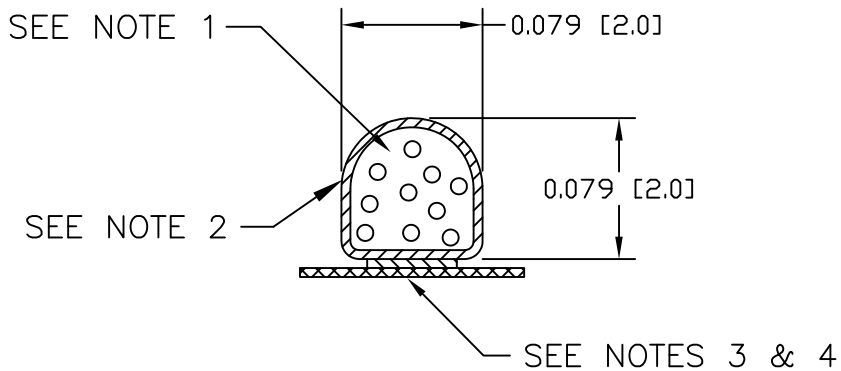


CONFIDENTIAL & PROPRIETARY

THIS INFORMATION IS CONFIDENTIAL AND PROPRIETARY TO LAIRD TECHNOLOGIES. IT MAY NOT BE DISCLOSED TO ANYONE OTHER THAN LAIRD TECHNOLOGIES PERSONNEL, WITHOUT WRITTEN AUTHORIZATION FROM LAIRD TECHNOLOGIES.



NOTES:

1. FOAM: POLYURETHANE
2. FABRIC: NICKEL PET TAF FR ECOGREEN
3. TAPE: .050" TAPE HI-TEMP, CENTER
4. LINER: 1/8" EXTENDED RELEASE LINER
5. FABRIC SEAM LOCATION MAY VARY.
6. THIS PART IS ROHS COMPLIANT AND MEETS THE REQUIREMENTS OF LT-GES-001

REVISIONS:	TITLE:	DRAWN	DATE	SCALE:	DIMENSIONS ARE IN INCHES. UNLESS OTHERWISE SPECIFIED, TOLERANCES ARE AS FOLLOWS:		
	SHIELDING GASKET	JES	2/9/09	1/1			
	Dwg. or Part No.	CHECKED BY:	DATE		DECIMALS	LENGTH	
	4052-AC-51H	FJG	2/9/09		.XX ± .03	0" - 6" ± .030"	
	REV.	RELEASED BY:	DATE		.XXX ± .020	6" - 11" ± .050"	
	0	FJG	2/16/09			11" - 48" ± .100"	
					ANGLES	48° - 70° ± .187°	
						± 1/2°	70° - 144° ± .250°

