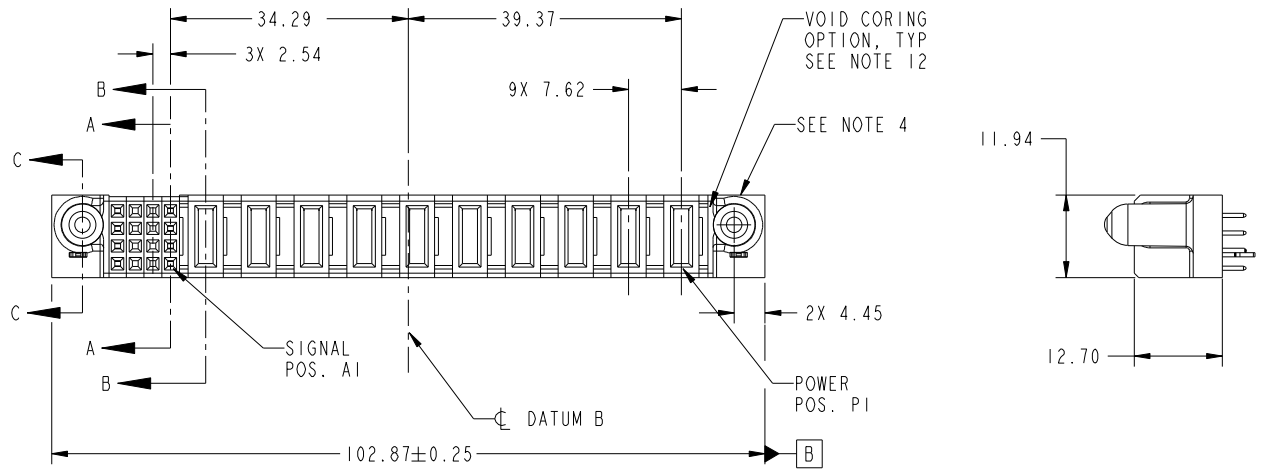


Tous droits strictement réservés. Reproduction ou communication a des tiers interdite sous quelque forme que ce soit sans autorisation écrite du propriétaire. Propriété de c FCI. Droits de reproduction FCI.



All rights strictly reserved. Reproduction or issue to third parties in any form whatever is not permitted without written authority from the proprietor. Property of FCI. Copyright FCI.

PRODUCT NO.	ROWS	SIG				POWER										E1		
		E2	4	3	2	1	P10	P9	P8	P7	P6	P5	P4	P3	P2		P1	
51940-347-- NOTE: 3	D C B A		E	X	X	E	PD	PD	PD	PD	PD	PD	PD	PD	PD	PD	PA	



CODE	DIM "M" MATING LENGTH	CONTACT TYPE
E	[N/A]	SIGNAL
PD	[2.34]	POWER
HA	[N/A]	HOLD-DOWN
PA	[1.07]	POWER
X	OMITTED	

mat'l code				SEE NOTES		tolerances unless otherwise specified		CUSTOMER	
ltr	ecn no.	dr	date	linear	0.X ±0.5	COPY		projection	
A	DG10-0158	HW	4/28/10	angles	0.XX ±0.25	MIM		title	
				dr	0.XXX ±0.1	scale		product family	
				enr	0° +2°	1:1		PwrBlade	
				chr	HENRY WANG 3/29/10			code	
				appd	HENRY WANG 3/29/10			213	
					PM ZHENG 3/29/10			sheet	
					Joseph Hsia 3/29/10			1 of 4	
sheet index	revision sheet	A 1	A 2	A 3	A 4				

CUSTOMER		FCI	
www.fciconnect.com		www.fciconnect.com	
title		10ACP + 16S	
vertical solder receipt		vertical solder receipt	
product family		PwrBlade	
code		213	
size		A	
dwg no		51940-347	
sheet		1 of 4	

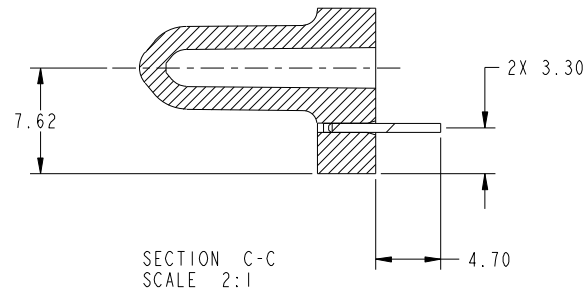
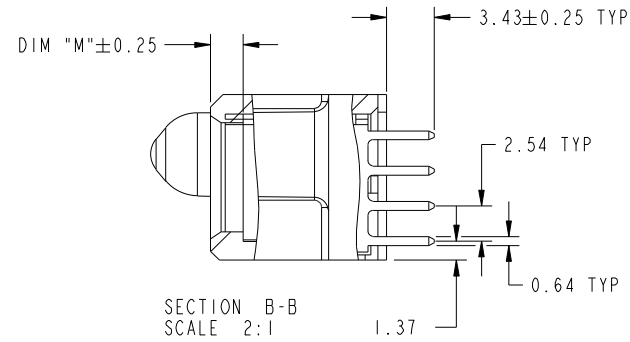
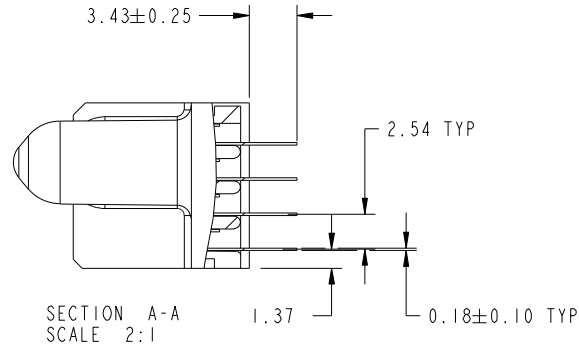
sheet index	revision sheet	A 1	A 2	A 3	A 4				
Pro/E		3		4		cage code		22526	

Tous droits strictement reserves. Reproduction ou communication a des tiers interdite sous quelque forme que ce soit sans autorisation écrite du propriétaire. Propriete de c FCI. Droits de reproduction FCI.



All rights strictly reserved. Reproduction or issue to third parties in any form whatever is not permitted without written authority from the proprietor. Property of FCI. Copyright FCI.

PRODUCT NUMBER
51940-347_
NOTE: 3



mat'l code				tolerances unless otherwise specified		CUSTOMER			
ltr	ecn no.	dr	date	linear	0.X ± 0.5	COPY		www.fciconnect.com	
A				linear	0.XX ± 0.25	projection		title	
				angles	0.XXX ± 0.1			10ACP + 16S VERTICAL SOLDER RECEPT	
				dr	0° ± 2°	MIM		product family PwrBlade code	
				enr	HENRY WANG 3/29/10	scale		size	
				chr	HENRY WANG 3/29/10	1:1		dwg no	
				appd	PM ZHENG 3/29/10			A 51940-347	
					Joseph Hsia 3/29/10			sheet	
sheet index	revision sheet							2 of 4	

cage code 22526

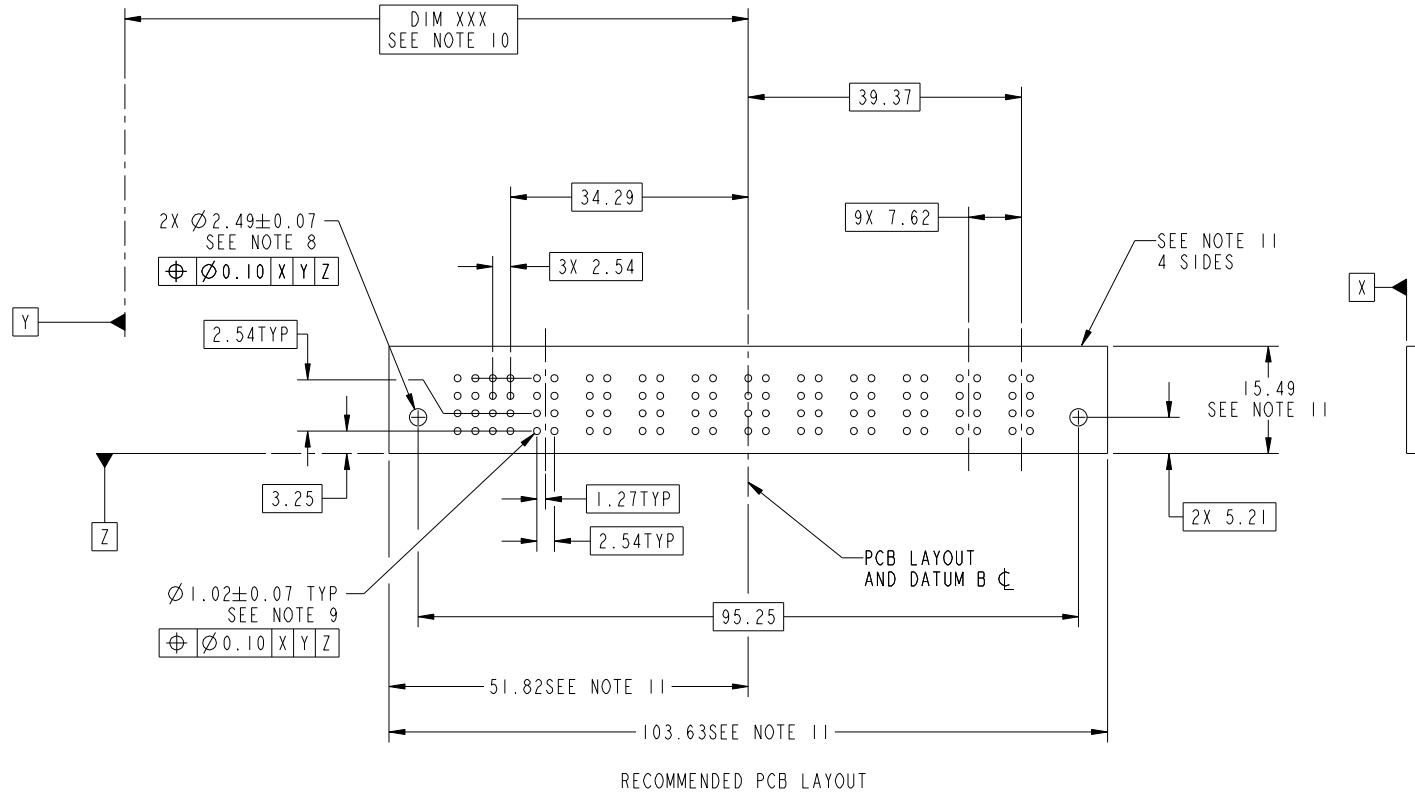
Pro/E

Tous droits strictement reserves. Reproduction ou communication a des tiers interdite sous quelque forme que ce soit sans autorisation écrite du propriétaire. Propriete de c FCI. Droits de reproduction FCI.



All rights strictly reserved. Reproduction or issue to third parties in any form whatever is not permitted without written authority from the proprietor. Property of FCI. Copyright FCI.

PRODUCT NUMBER
51940-347__
NOTE: 3



RECOMMENDED PCB LAYOUT

mat'l code				tolerances unless otherwise specified		CUSTOMER		FCI	
ltr	ecn no.	dr	date	linear	0.X ± 0.5	COPY		www.fciconnect.com	
A					0.XX ± 0.25	projection		title	
				angles	0.XXX ± 0.1			10ACP + 16S VERTICAL SOLDER RECEPT	
				dr	0° + 2°	MIM		product family	PwrBlade
				enr	HENRY WANG 3/29/10	scale		size	code
				chr	HENRY WANG 3/29/10	1:1		dwg no	213
				appd	PM ZHENG 3/29/10			A	51940-347
					Joseph Hsia 3/29/10			sheet	3 of 4
sheet index	revision sheet								

cage code 22526

Pro/E

Tous droits strictement reserves. Reproduction ou communication a des tiers interdite sous quelque forme que ce soit sans autorisation écrite du propriétaire. Propriete de c FCI. Droits de reproduction FCI.



All rights strictly reserved. Reproduction or issue to third parties in any form whatever is not permitted without written authority from the proprietor. Property of FCI. Copyright FCI.

PRODUCT NUMBER
51940-347_-
NOTE: 3

NOTES:

1. DIMENSIONS AND TOLERANCES ARE IN ACCORDANCE WITH ASME Y14.5M, 1994 UNLESS OTHERWISE SPECIFIED.

CONNECTOR NOTES:

2 HOUSING MATERIAL: UL 94 V-0 GLASS FILLED HIGH-TEMP THERMOPLASTIC

POWER CONTACT MATERIAL: COPPER ALLOY
SIGNAL PIN MATERIAL: COPPER ALLOY

3. PLATING SPEC.
SEE ITEM 5 & 6 IN PRINT 10064183 FOR PLATING SPEC OF 51940-347 AND 51940-347LF RESPECTIVELY.

4. MANUFACTURER'S NAME, DATE CODE AND OPTIONAL P/N TO APPEAR ON THIS SURFACE. THE P/N CAN BE OMITTED IF THERE IS NOT ENOUGH SPACE ON THIS SURFACE.

5. PRODUCT SPECIFICATION GS-12-149.
APPLICATION SPECIFICATION BUS-20-067.

6. PACKAGED IN TRAYS.

PCB NOTES:

7. ALL HOLE DIAMETERS ARE FINISHED HOLE SIZE.

8 MOUNTING HOLES, WHERE APPLICABLE, ARE UNPLATED.

9 $\varnothing 1.151 \pm 0.025$ DRILLED HOLES PLATED WITH
0.008 MIN SnPb OR Sn OVER 0.03
TO 0.08 Cu PLATING TO ACHIEVE
 $\varnothing 1.02 \pm 0.07$ HOLE.

10 "DIM XXX" TO BE DETERMINED BY THE CUSTOMER.

11 CONNECTOR KEEP-OUT ZONE.

12. THE VOID CORING IN BETWEEN POWER MODULES, SIGNAL MODULES AND END MODULES ARE OPTIONAL AND THE SHAPE MAY BE DIFFERENT FOR OPTIMIZE THE MOLDING PROCESS. THE VOID CORING WILL NOT EFFECT TO PRODUCT FUNCTION.

mat'l code				tolerances unless otherwise specified		CUSTOMER		FCI	
ltr	ecn no.	dr	date	linear	0.X ± 0.5	COPY		www.fciconnect.com	
A					0.XX ± 0.25	projection		title	
				angles	0.XXX ± 0.1			10ACP + 16S	
				dr	0° + 2°	MIM		VERTICAL SOLDER RECEPT	
				enr	HENRY WANG 3/29/10	product family		PwrBlade	code
				chr	HENRY WANG 3/29/10	size		dwg no	213
				appd	PM ZHENG 3/29/10	scale		51940-347	sheet
					Joseph Hsia 3/29/10	1:1		A	4 of 4
sheet index	revision sheet								

cage code 22526

Pro/E