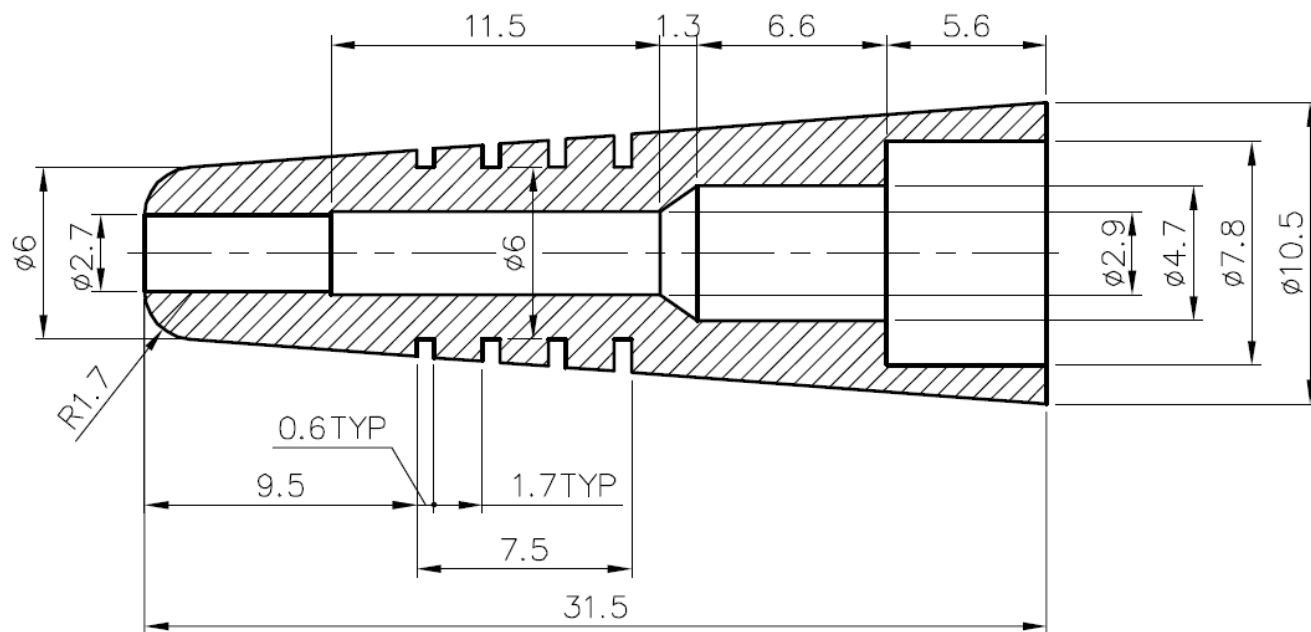




DESCRIPTION: BOOT FOR RG-174  
 MODEL NUMBER: 25-B174  
 APPLICATION: BOOT FOR RG-174  
 CRIMP TOOL: N/A  
 IMPEDANCE: N/A  
 FREQUENCY RANGE: N/A  
 MATERIAL: PVC---BLACK  
 RoHS COMPLIANCE: YES  
 TECHNICAL DETAIL: N/A



 <small>This PROPRIETARY Document is property of Cinch Connectivity Solutions. It is confidential in nature, non-transferable, and issued with the clear understanding that it is not traced or copied without permission and is returnable upon demand.</small> <small>INTERPRET DRAWING IN ACCORDANCE WITH ASME Y14.5-2009.</small>	<small>3RD ANGLE PROJECTION</small> 	<b>AIM-Cambridge</b>	
	<b>RoHS</b> <b>2002/95/EC</b>	<small>Title:</small> <b>BOOT FOR RG-174</b>	
<small>UNLESS OTHERWISE SPECIFIED UNITS: METRIC</small> <b>.XX ±.51</b> <b>.XXX ±.127</b> <b>ANGLES ±2°</b>	<small>Model No.</small> <b>25-B174</b>	<small>Size</small> <b>A</b>	<small>Date:</small> <b>8/15/2013</b>
<small>DO NOT SCALE DRAWING</small>	<small>Sheet 1 of 1</small>	<small>Sheet 1 of 1</small>	<small>Sheet 1 of 1</small>