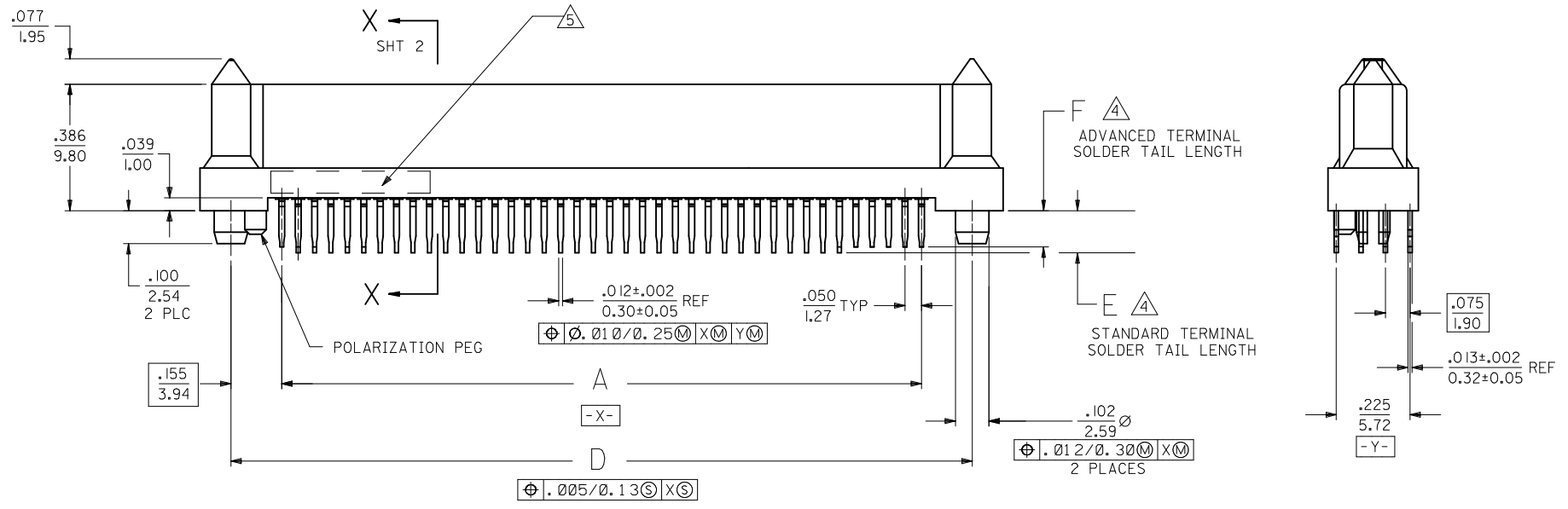
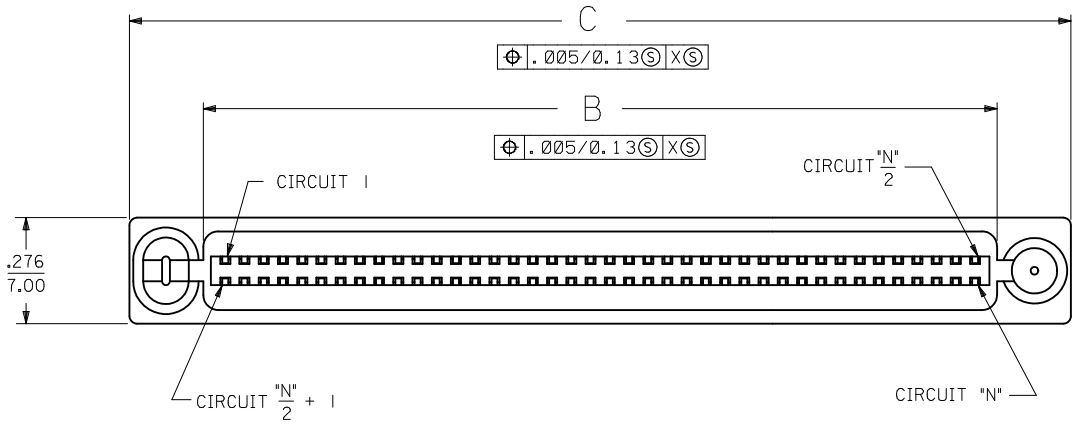


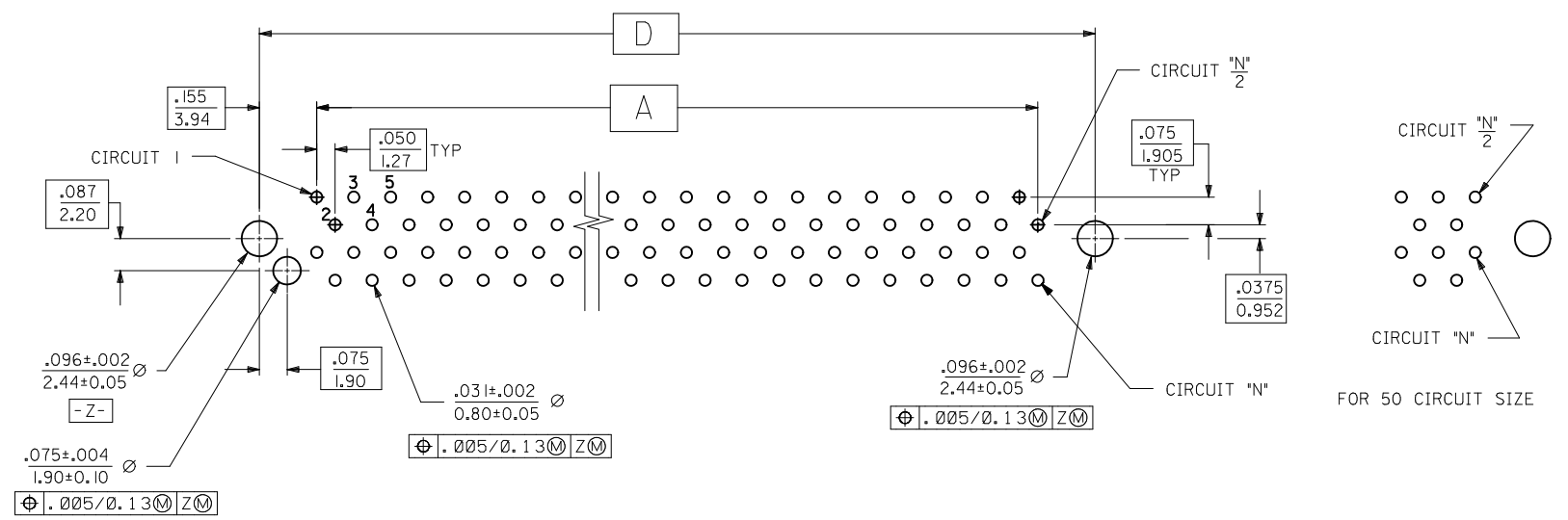
**NOTES:**

- 1) MATERIALS:  
HOUSING- LCP, GLASS FILLED, UL94V-0, BLACK.  
TERMINALS- COPPER ALLOY
- 2) FINISHES:  
30 MICROINCH (0.72 MICROMETER) MINIMUM GOLD IN THE CONTACT AREA  
50 MICROINCH (1.27 MICROMETER) MINIMUM MATTE TIN IN THE TAIL AREA  
NICKEL UNDERPLATE OVERALL
- 3 ASSEMBLIES MATE WITH CONNECTORS SHOWN ON MOLEX DRAWING SDA-71661-7\*\*\*
- 4 SEE TABLE ON SHEET 2 FOR ADVANCED TERMINAL LIST
- 5 FOUR DIGIT DATE CODE (WK YR), EXAMPLE => 26 96  
LOCATED IN AREA INDICATED.
- 6 ASSEMBLIES MEET MOLEX PRODUCT SPECIFICATION PS-71660

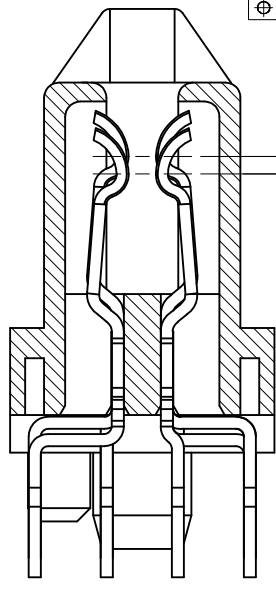


ADD -7502 ASSY EC NO: UCP2011-2137 DRWN:BBARKER 2011/01/18 CHKD:DMORGAN 2011/01/19 APPR:SMILLER 2011/05/09	QUALITY SYMBOLS	GENERAL TOLERANCES (UNLESS SPECIFIED)	DIMENSION STYLE	SCALE	DESIGN UNITS	THIRD ANGLE PROJECTION
	▽=0	mm INCH	IN/MM	INCH	INCH	
	▽=0	4 PLACES ± --- ± ---	DRAWN BY DATE	TITLE		
	▽=0	3 PLACES ± --- ± ---	BBARKER 2011/01/18	SALES ASSY, EBBI 50D, VERTCL, BLIND MATE RCPT W/ ADVANCE TERMINALS		
		2 PLACES ± --- ± ---	CHECKED BY DATE	MOLEX INCORPORATED		
		1 PLACE ± --- ± ---	APPROVED BY DATE	DOCUMENT NO.		
		ANGULAR ±1/2°	SMILLER 2011/05/09	SDA-71660-75**		
		DRAFT WHERE APPLICABLE MUST REMAIN WITHIN DIMENSIONS	MATERIAL NO.	SHEET NO.		
			SEE TBL SHT 2	1 OF 2		
			SIZE C	THIS DRAWING CONTAINS INFORMATION THAT IS PROPRIETARY TO MOLEX INCORPORATED AND SHOULD NOT BE USED WITHOUT WRITTEN PERMISSION		

ITEM NUMBER	CIRCUIT SIZE ("N")	A	B	C	D	E ±.010 (±0.25)	F ±.010 (±0.25)	ADVANCED CIRCUITS
71660-7501	68	1.650 (41.91)	1.765 (44.83)	2.149 (54.58)	1.960 (49.78)	.134 (3.40)	.116 (2.95)	5, 6, 39, 64, 66, 68
71660-7504	40	.950 (24.13)	1.065 (27.05)	1.449 (36.80)	1.260 (32.00)	.128 (3.25)	.110 (2.79)	1, 2, 3, 18, 19, 20
71660-7505	50	1.200 (30.48)	1.315 (33.40)	1.699 (43.15)	1.510 (38.35)	.128 (3.25)	.110 (2.79)	1, 2, 3, 23, 24, 25
71660-7508	80	1.950 (49.53)	2.065 (52.45)	2.449 (62.20)	2.260 (57.40)	.128 (3.25)	.110 (2.79)	1, 36-43, 45, 46, 75-80
71660-7502	68	1.650 (41.91)	1.765 (44.83)	2.149 (54.58)	1.960 (49.78)	.134 (3.40)	.116 (2.95)	5, 6, 68



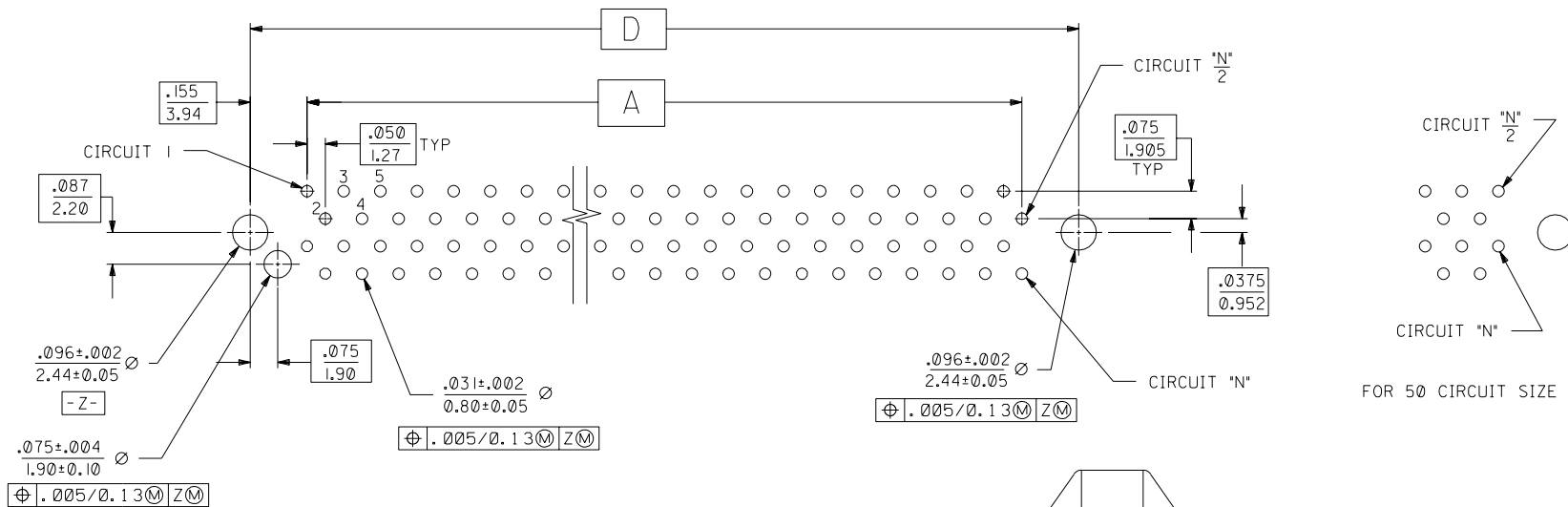
RECOMMENDED PC BOARD LAYOUT  
COMPONENT SIDE  
FOR 40, 68 AND 80 CIRCUIT SIZES



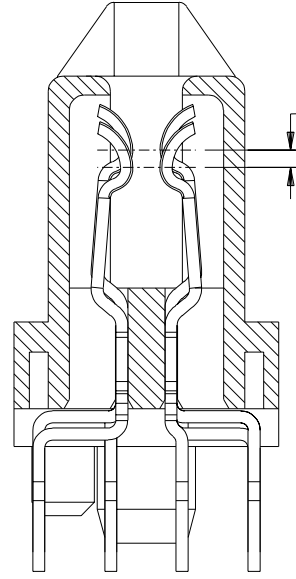
HOUSING WALLS BETWEEN TERMINALS NOT SHOWN FOR CLARITY

SEE SHEET 1 EC NO: UCP2011-2137 DRWN:BBARKER 2011/01/18 CHKD:DMORGAN 2011/01/19 APPR:SMILLER 2011/05/09	QUALITY SYMBOLS ▽=0 ▽=0 ▽=0	GENERAL TOLERANCES (UNLESS SPECIFIED)		DIMENSION STYLE IN/MM		SCALE 1:1	DESIGN UNITS INCH	THIRD ANGLE PROJECTION		
		4 PLACES ± ---	mm	INCH	DATE	DATE	TITLE SALES ASSY, EBBI 50D, VERTCL, BLIND MATE RCPT W/ ADVANCE TERMINALS			
REV	DESCRIPTION	3 PLACES ± ---	DRAWN BY BBARKER		DATE 2011/01/18		MOLEX INCORPORATED			
		2 PLACES ± ---	CHECKED BY		DATE					
K		1 PLACE ± ---	APPROVED BY SMILLER		DATE 2011/05/09		DOCUMENT NO. SDA-71660-75**		SHEET NO. 2 OF 2	
DRAFT WHERE APPLICABLE MUST REMAIN WITHIN DIMENSIONS		ANGULAR ±1/2°		SEE TABLE		THIS DRAWING CONTAINS INFORMATION THAT IS PROPRIETARY TO MOLEX INCORPORATED AND SHOULD NOT BE USED WITHOUT WRITTEN PERMISSION				

13	12	11	10	9	8	7	6	71660	4	3	2	1
ITEM NUMBER	CIRCUIT SIZE ("N")	A	B	C	D	E ±.010 (±0.25)	F ±.010 (±0.25)	ADVANCED CIRCUITS				
71660-7501	68	1.650 (41.91)	1.765 (44.83)	2.149 (54.58)	1.960 (49.78)	.134 (3.40)	.116 (2.95)	5, 6, 39, 64, 66, 68				
71660-7504	40	.950 (24.13)	1.065 (27.05)	1.449 (36.80)	1.260 (32.00)	.128 (3.25)	.110 (2.79)	1, 2, 3, 18, 19, 20				
71660-7505	50	1.200 (30.48)	1.315 (33.40)	1.699 (43.15)	1.510 (38.35)	.128 (3.25)	.110 (2.79)	1, 2, 3, 23, 24, 25				
71660-7508	80	1.950 (49.53)	2.065 (52.45)	2.449 (62.20)	2.260 (57.40)	.128 (3.25)	.110 (2.79)	1, 36-43, 45, 46, 75-80				



RECOMMENDED PC BOARD LAYOUT  
COMPONENT SIDE  
FOR 40, 68 AND 80 CIRCUIT SIZES



DIMENSIONS SHOWN (METRIC) INCH		▽ = 0	▼ = 0	REVISE ONLY ON CAD SYSTEM	
UNLESS OTHERWISE SPECIFIED TOLERANCES: ANGULAR ± 1/2°					
3 PLACE	± .010	---	---		
2 PLACE	± ---	± 0.25	---		
1 PLACE	---	± ---	---		
DRAFT WHERE APPLICABLE MUST REMAIN WITHIN DIMENSIONS					
DRWG. BY: RAN	CHK'D. BY: RAN	FILE NAME: 57166075	SHEET NO.: 2	DATE: 12 / 6 / 94	
APP'D. BY: CAB	SCALE: 4: 1	SEE SHEET 1		SDA-71660-75**	
THIS DRAWING CONTAINS INFORMATION THAT IS PROPRIETARY TO MOLEX INC. AND SHOULD NOT BE USED WITHOUT WRITTEN PERMISSION					

I	ADD PART NO'S ECN UDT2002-1289 BBARKER 02/05/10
H	DELETE 50 CKT UDT2001-1091 BSMART 01/04/11
G1	SEE SHEET 1

MFG.	SH.	REV.	LTR.	REVISIONS
------	-----	------	------	-----------

71660