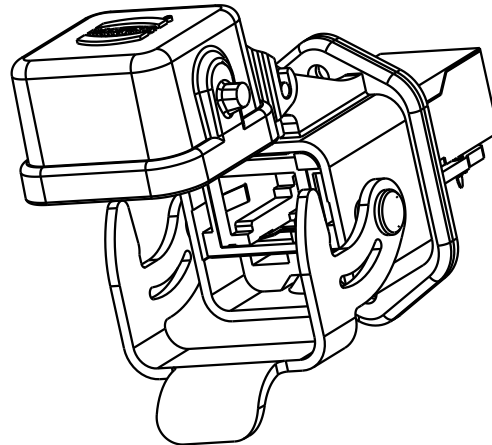
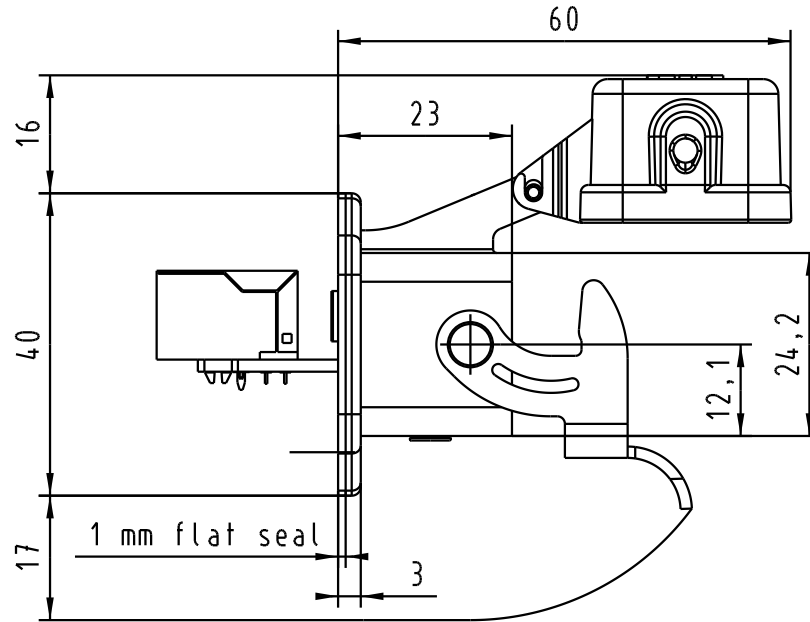
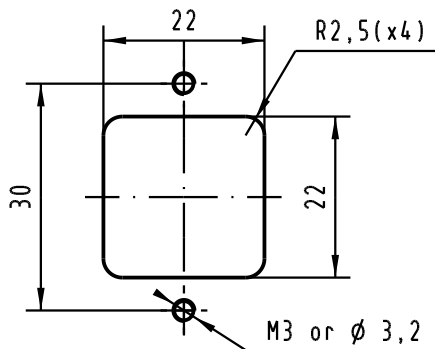


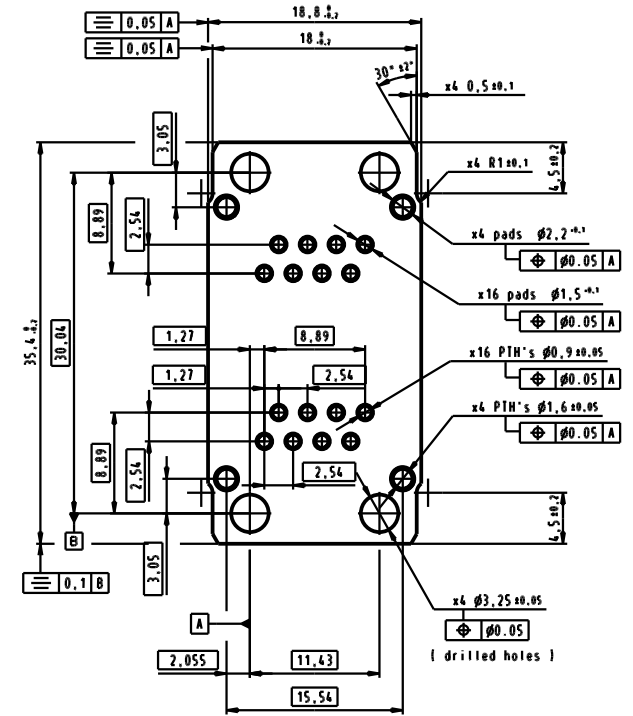
IEC 60603-7
SMC modular jack
12mm maxi. height
above PC-Board





recommended panel cutout



recommended PC-Board layout
view components side



compatible with IEC 60076-3-106 variant 05
connectors pitch on panel:
axis X = 36 mm
axis Y = 75 mm

				Det.	19-JAN-05	JB	 All Dim. in mm Orig. Size DIN A 4	RJ Industrial IP67 Data 3A panel feed through metal with self-closing protective cap	Moßstab/ Scale
			Insp.						1:1
			Stand.						
33087	02-SEP-05	JB	HARTING EURL F-95972 Paris				TB 09 45 215 1103	Blatt/ Page	
32513	19-JAN-05	JB					Sub.	1/1	
Mod.	Dat.	Name							