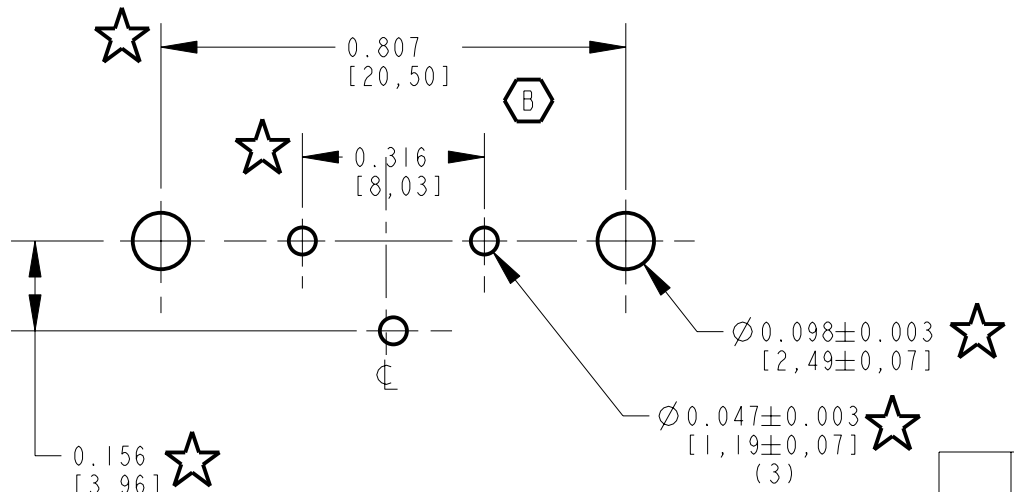
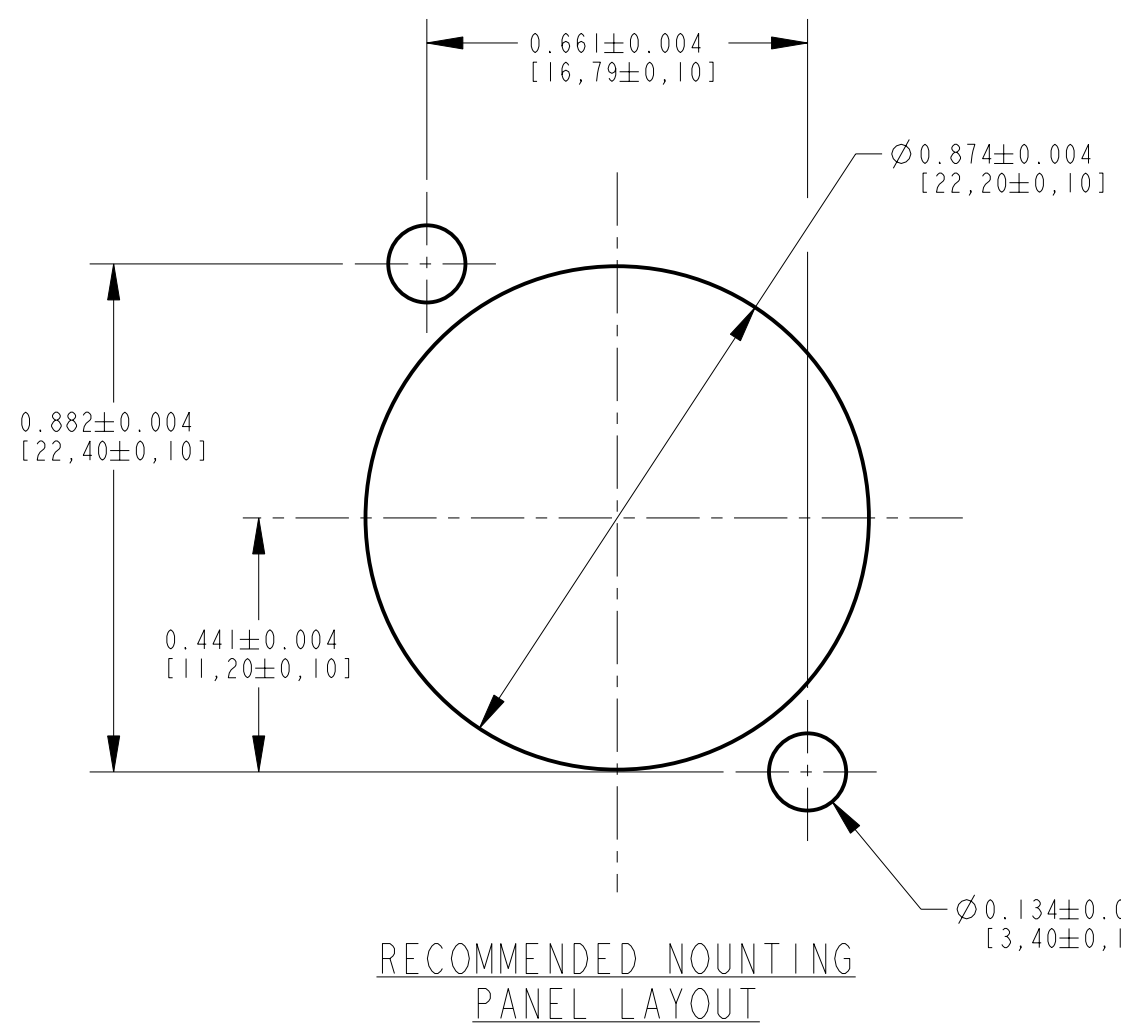


**MATERIALS:**

HOUSING - ZINC ALLOY, NICKEL PLATED  
 CONTACTS - COPPER ALLOY, SILVER OR GOLD PLATED  
 INSULATOR - THERMOPLASTIC, UL 94-V0 RATED.  
 GROUND SPRING: HEAT TREATED STEEL OR COPPER ALLOY, TIN PLATED  
 FERRITE: - NICKEL ZINC, K-100  
 RATED CURRENT - 3 AMP  
 SERVICE VOLTAGE - 133 VAC

PART NUMBER	CONTACT PLATING
F3MSTF	SILVER PLATED
F3MSTFAU	GOLD PLATED



**RECOMMENDED P.C. BOARD LAYOUT**  
 (0.062 [1.57] THICK P.C. BOARD REF)

CUSTOMER DRAWING

<p>★ STAR SYMBOL DENOTES CRITICAL DIMENSION</p> <p>UNLESS OTHERWISE SPECIFIED</p> <p>1. ALL DIMENSIONS IN INCHES                  - TWO PLACE DECIMALS ±0.01                  - THREE PLACE DECIMALS ±0.005                  - ANGLES ±1°                  - ALL DIA. CONCENTRIC WITHIN 0.005 T.I.R.</p> <p>2. FEATURES ON THE SAME CENTERLINE MUST BE ALIGNED WITHIN ±0.002</p> <p>3. REMOVE ALL BURRS</p>				<p>THIS DRAWING DESCRIBES A DESIGN CONSIDERED PROPRIETARY IN NATURE, DEVELOPED AND MANUFACTURED BY SWITCHCRAFT INC. AND IS RELEASED ON A CONFIDENTIAL BASIS FOR IDENTIFICATION PURPOSES ONLY.</p>				
<p>DO NOT SCALE DRAWING</p>				SIZE	WIDTH	MULT	LBS/M	TEMPER
<p>REVISIONS</p>				FINISH SPEC No.		MATERIAL SPEC No.		
C	24944	3-16-05	JL	EB	FIRST USED ON		SCALE 3:1	
B	24518	7-17-03	KJB	KJB	DATE DRAWN	BY	CHKD	APVD
A	22650	1-21-02	TJK	KJB	21-Jan-02	KJB	1-21-02	1-21-02
<p>NAME MALE 3 PIN OG ST/PC WITH FERRITE</p>				PART No.		REV		
<p>Pro/Engineer CAD File</p>				F3MSTF		C		

