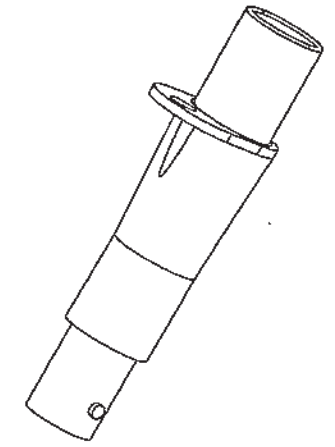
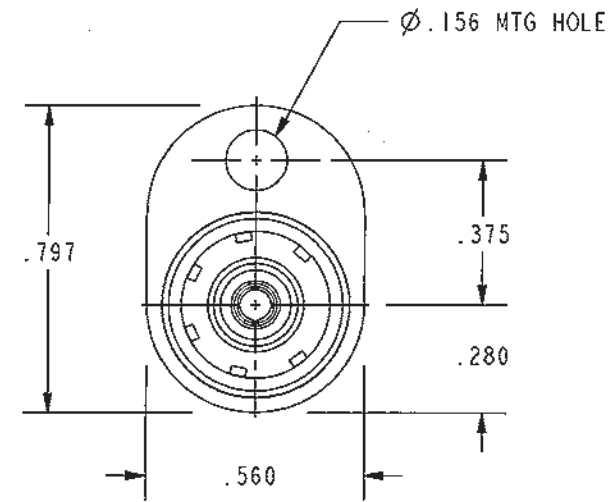
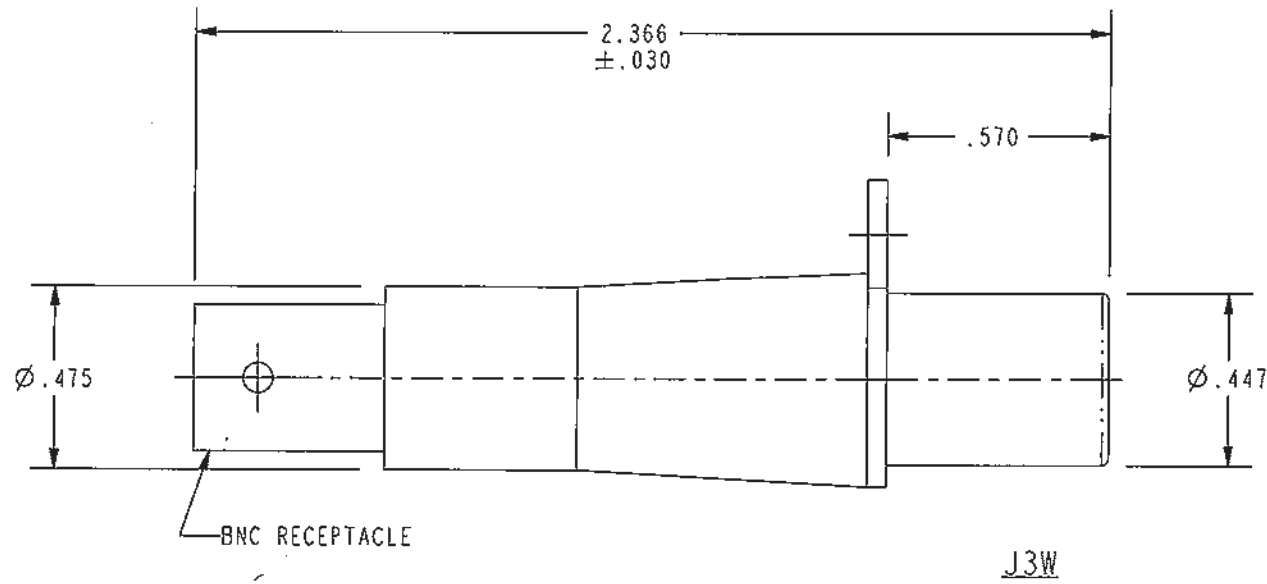


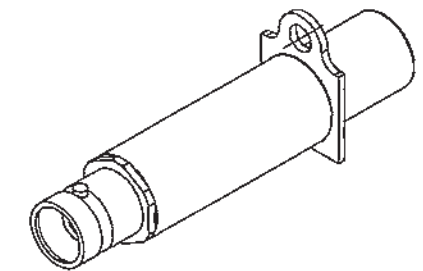
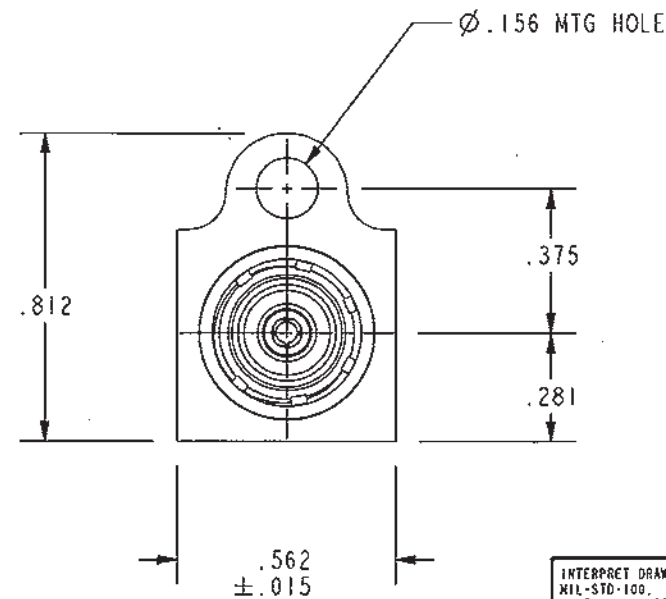
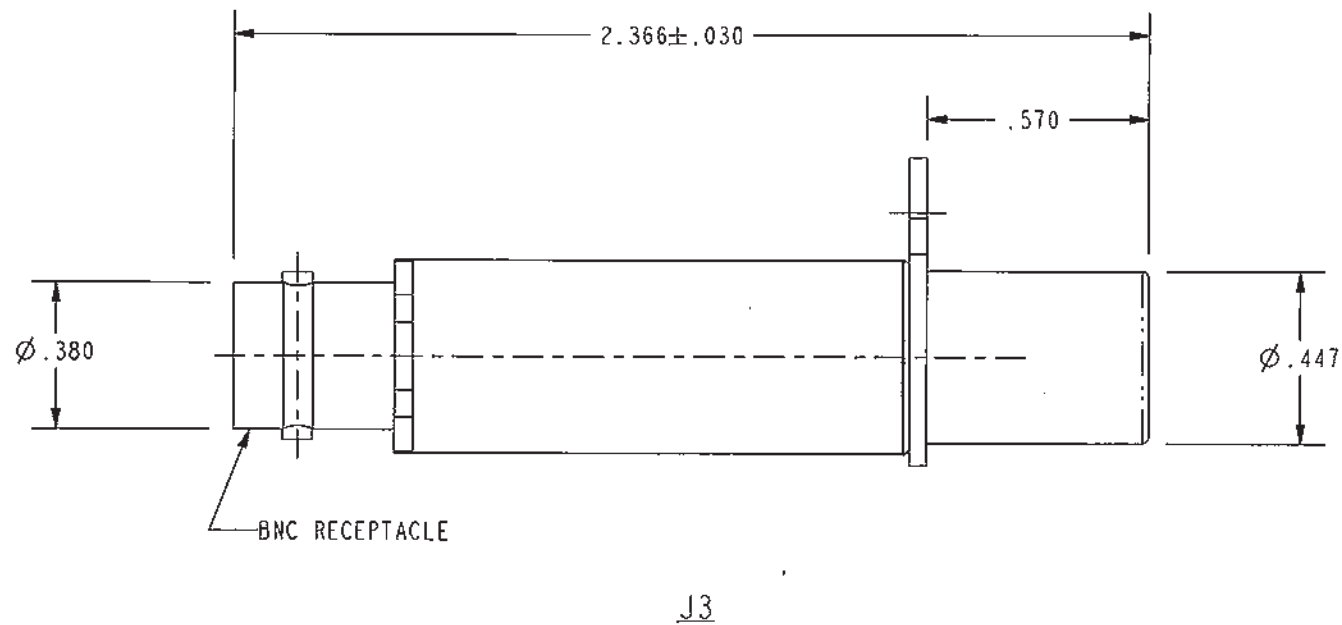
MODEL	APPLICATION	
	IMPD	PIN SIZE
J3	50Ω	.070 (RCA)
J3W	75Ω	.090 (W.E.CO.)

DATA CONTAINED IN THIS DOCUMENT IS PROPRIETARY OF TROMPETER ELECTRONICS INC. AND SHALL NOT BE DISCLOSED, COPIED OR USED FOR PROCUREMENT OR MANUFACTURE WITHOUT EXPRESS WRITTEN PERMISSION.

REVISIONS			
REV	DESCRIPTION	DATE	APPROVED
P	REVISED PER ECO #14374	2-7-02	MM



SCALE 1/1




SCALE 1/1

2. FINISH: TFS-1A (NICKEL)

1. 50 & 75 Ω COAXIAL PATCH JACK WITH BNC RECEPTACLE

NOTES: UNLESS OTHERWISE SPECIFIED.

RED INDICATES ORIGINAL

INTERPRET DRAWING PER MIL-STD-100 DIMENSIONS ARE IN INCHS AND INCLUDE FINISH THICKNESS UNLESS OTHERWISE SPECIFIED		TOL: UNLESS SPECIFIED .XX ± .02 .XXX ± .010 ANGLE ± 1°		 a cinch connectivity solutions brand			
DRN	PD	1-31-02	MATERIAL			TITLE:	
CHK	JLM	2-7-02	FINISH	J3/J3W			
QUALITY		2-7-02					
MANU		2-7-02	SIZE	CAGE CODE	DRAWING NO.	REV	
APPROVED		2/7/02	B	14949	1-0100	P	
PROJ FILE NO.	1-0100	DO NOT SCALE DWG	SCALE	2/1	DATE	SHEET	IC