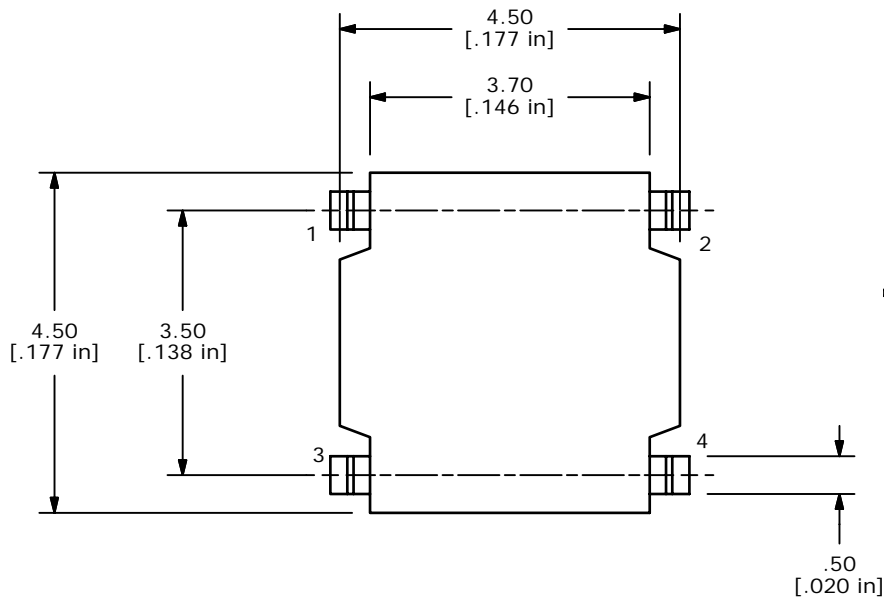
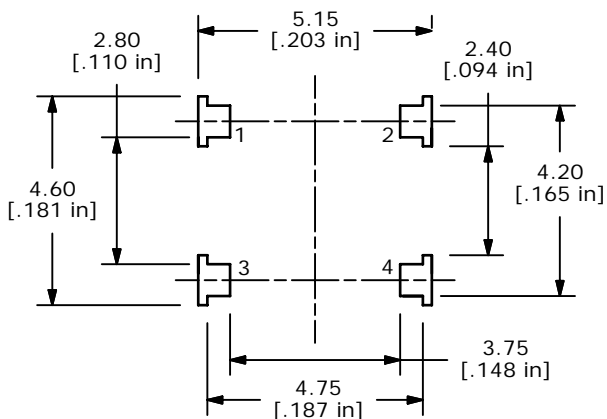


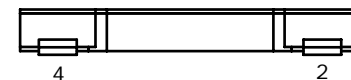
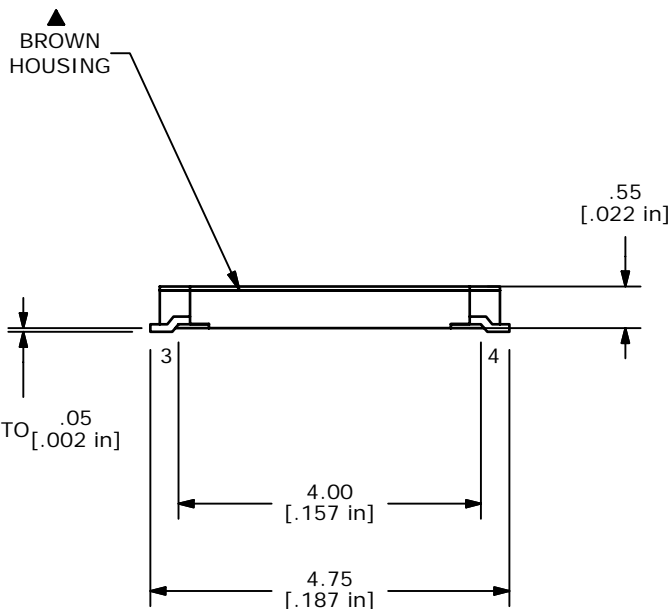
CIRCUIT: SPST



ISOMETRIC



P.C. MOUNTING



NOTE:

1. ALL DIMENSIONS IN MM [INCH]
2. GENERAL TOLERANCE: X.X=±0.4  
X.XX=±0.25
3. TERMINAL NUMBERS FOR REF ONLY
4. RATING: 15VDC @ 50mA
5. ELECTRICAL LIFE: 200,000 CYCLES
6. CONTACT RESISTANCE: 200m OHMS MAX.
- ▲ 7. OPERATION FORCE: 250 +/-50gf
8. TRAVEL: 0.2 +/-0.1mm
9. ▲ DENOTES CRITICAL PARAMETER.
10. 2002/95/EC (ROHS) COMPLIANT
11. PACKAGING: TAPE & REEL, 5000 PIECES PER REEL.



|     |        |                     |          |     |
|-----|--------|---------------------|----------|-----|
| B   | 19521  | RATING: was 20mA    | 12/13/10 | BGL |
| A   | xxxxx  | New Product Release | 1/29/08  | rc  |
| REV | PCR NO | DESCRIPTION         | DATE     | BY  |

|                    |           |    |         |     |
|--------------------|-----------|----|---------|-----|
| TITLE TL3315NF250Q |           |    |         |     |
| SCALE              | DATE      | DR | DWG     | REV |
| 10:1               | 1/29/2008 | RC | P010338 | B   |

THE INFORMATION CONTAINED IN THIS DOCUMENT IS PROPRIETARY TO E-SWITCH AND IS NOT TO BE COPIED OR TRANSFERRED