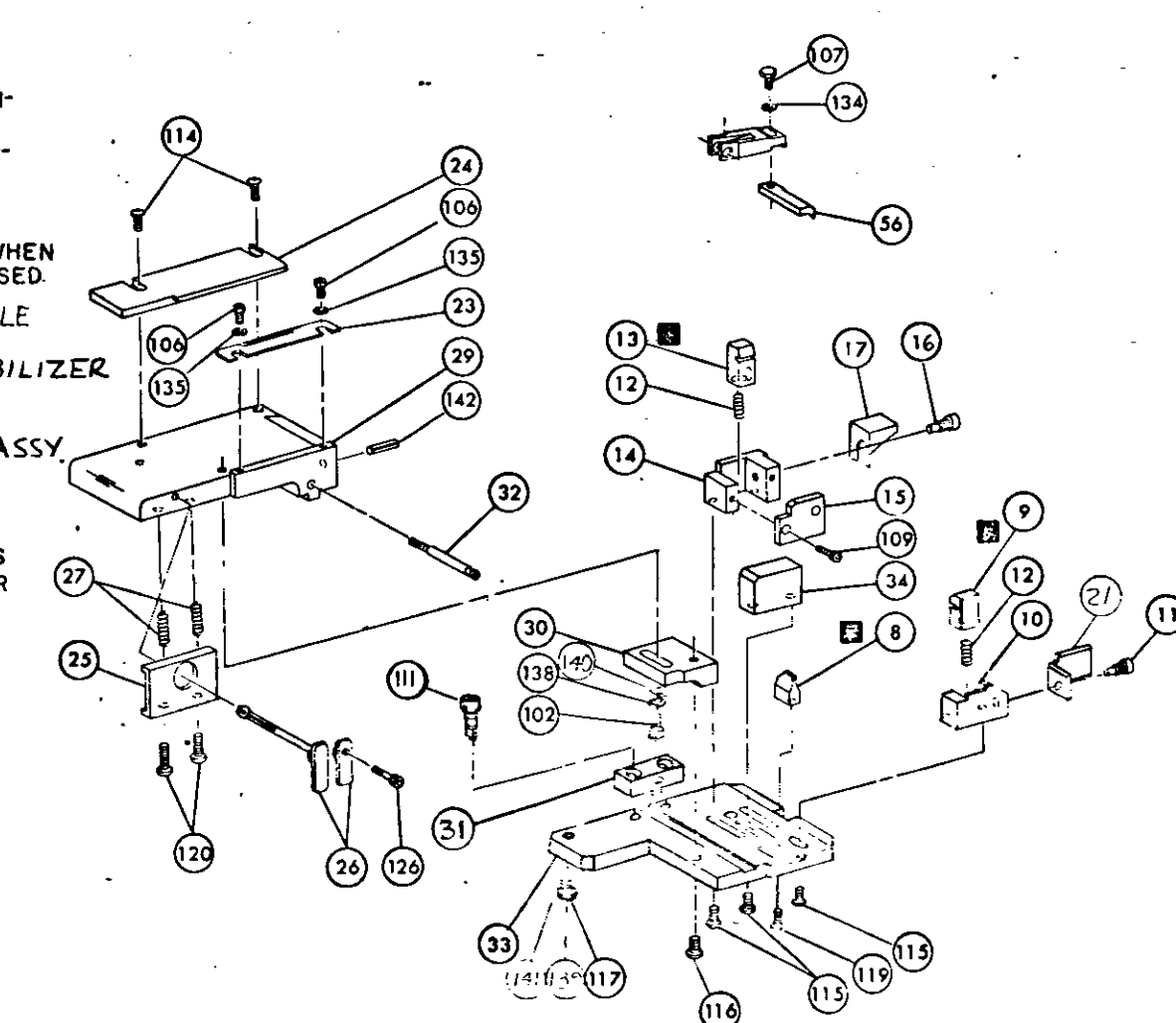
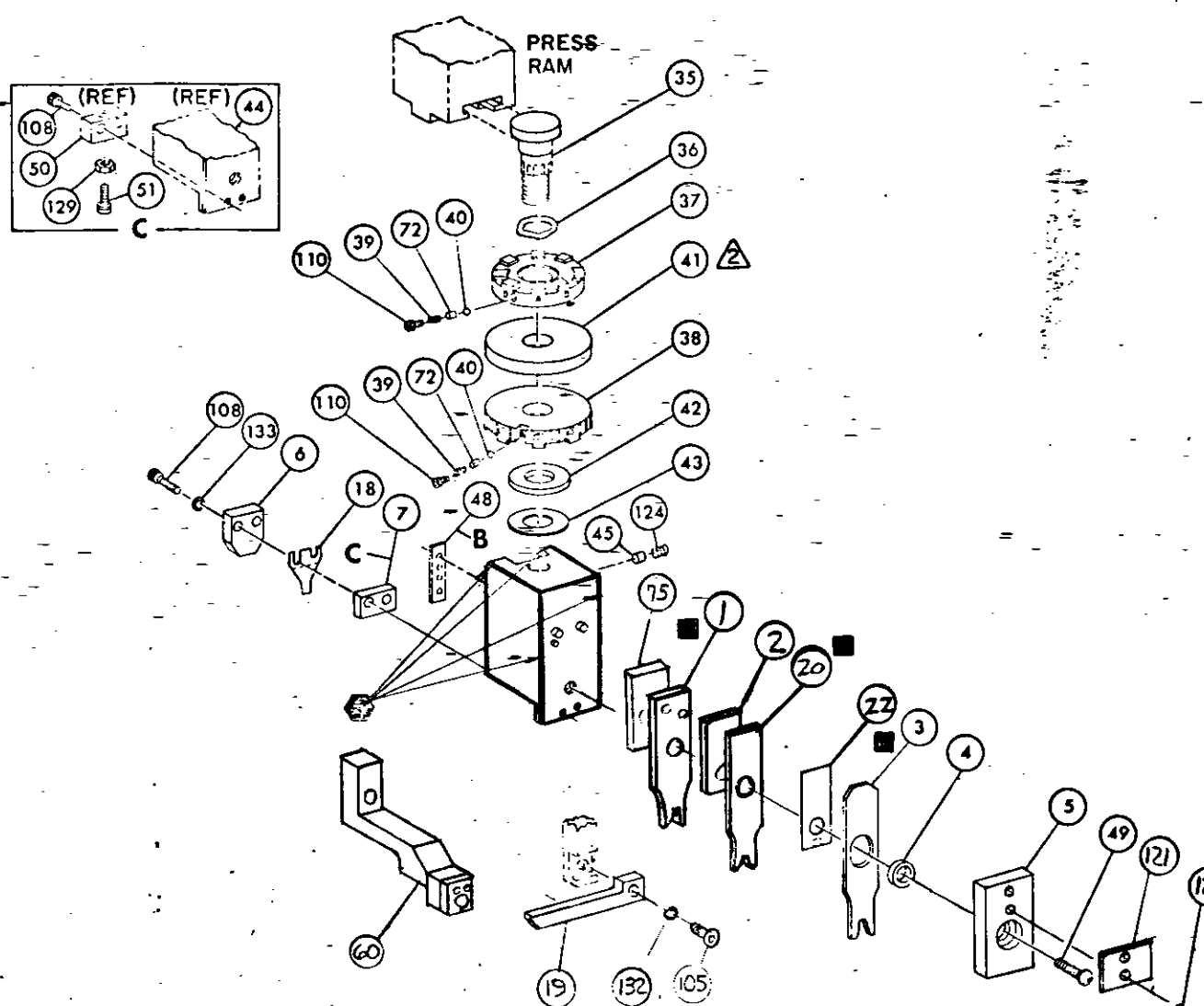
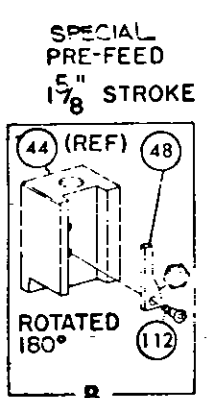


THIS DRAWING IS A CONTROLLED DOCUMENT FOR AMP INC. IT IS SUBJECT TO CHANGE AND THE COMPANY ASSUMES NO RESPONSIBILITY FOR THE USE OF THIS DRAWING FOR ANY OTHER PURPOSE. CONTACT THE COMPANY FOR THE LATEST REVISION.



NOTES:

- 1- ONLY THE ITEMS WITH QUANTITIES SPECIFIED ON PARTS LIST ARE USED ON THIS APPLICATOR.
 - △ USED IN PLACE OF ITEM 38 WHEN INSULATION CRIMP IS NOT USED.
 - 3-FEED PIVOT-HOLE
 - △ GUIDE OFF OF STABILIZER BARREL.
 - △ CUT TO LENGTH AT ASSY.
- KEY:**
- -RECOMMENDED SPARE PARTS (OWNER RESPONSIBLE FOR)
 - -GREASE WEEKLY

QTY	PART NO	DESCRIPTION	ITEM NO
1	459615-1	PLATE TERMINAL NO	145
2	690701-2	PLATE SERIAL NO	144
1	4-21028-0	PIN, SLOT SPR (1.093 DIA X .75) STR G PLATE	143
1	21899-2	WASHER, FLAT (NO 10) MOUNTING	142
1	21899-2	WASHER, FLAT (NO 10) S G ADJ BLOCK	141
1	21024-5	WASHER, LOCK (NO 10) MOUNTING	140
1	21024-5	WASHER, LOCK (NO 10) STRIP GUIDE ADJ BLOCK	139
1	21024-5	WASHER, LOCK (NO 10) STRIP GUIDE ADJ BLOCK	138
1	21057-2	WASHER, LOCK (NO 4) FRONT STRIP GUIDE	137
REF	21024-4	WASHER, LOCK (NO 8) FEED FINGER	136
REF	21024-4	WASHER, LOCK (NO 8) DEPRESSOR	135
REF	21024-4	WASHER, LOCK (NO 8) STRIPPER	134
1	21068-5	NUT, HEX MACH (6-32) HOLDDOWN	133
1	22353-8	SCR, SHLD. (187 DIA X .250 LG) DRAG LEVER	132
1	21009-2	SCR, SKT SET (1/4-20 X .25)(LOC-WEL) RAM	131
2	21017-2	SCR, DRIVE (#2 X 188 LG)	130
1	819347-1	PLATE, I.D.	129
2	2-21002-9	SCR, BUT HD SKT CAP (10-32 X .75) DRAG	128
1	22733-8	SCR, BUT HD SKT CAP (8-32 X .38)(LOC-WEL) ANVIL	127
1	3-21000-8	SCR, SOC HD SKT CAP (10-32 X .68) MOUNTING	126
1	2-22733-1	SCR, BUT HD SKT CAP (10-32 X .50) SG ADJ BLOCK	125
4	22733-9	SCR, BUT HD SKT CAP (8-32 X .50) SHEAR	124
2	2-21002-2	SCR, BUT HD SKT CAP (8-32 X .50) R STRIP GUIDE	123
1	1-21002-7	SCR, BUT HD SKT CAP (6-32 X .50) CAM	122
2	2-21000-7	SCR, SKT HD CAP (8-32 X .50) SCR. BLOCK	121
2	23030-1	SCR, SKT HD CAP (6-32 X .25)(LOC-WEL) CP DISC	120
2	2-21000-7	SCR, SKT HD CAP (6-32 X .25) REAR SHEAR PLATE	119
REF	2-21002-1	SCR, BUT HD SKT CAP (8-32 X .38) DEPRESSOR (REAR)	118
2	1-21000-3	SCR, SKT HD CAP (4-40 X .25) F STRIP GUIDE	117
REF	2-21002-1	SCR, BUT HD CAP (8-32 X .38) STRIPPER	116
1	3-22605-1	SCR, HEX HD CAP (10-32 X .38) SG ADJ BLOCK	115
2	469310-5	BLADE STRIPPING (#20)	114
1	1-455888-0	SPACER	113
2	690603-1	SPRING, ASSIST	112
1	5-22280-0	SPRING, SHEAR	111
1	690461-2	STOP, SHEAR (FRONT)	110
1	462548-1	HOLDER, SHEAR (FRONT) SPECIAL	109
1	462547-1	SHEAR, FLOAT (FRONT) SPECIAL	108
1	1-458834-3	ANVIL	107
1	462838-1	SPACER, DEPRESSOR (REAR)	106
1	238011-2	DEPRESSOR, SHEAR (REAR)	105
1	2-456135-0	DEPRESSOR, SHEAR (FRONT) SPECIAL	104
1	455888-1	SPACER, TUBULAR, INS CRIMPER	103
1	455888-0	CRIMPER, INSULATION	102
1	455888-1	SPACER, CRIMPER	101
1	1-456404-0	CRIMPER, WIRE	100
65			99
64			98
63			97
62			96
61			95
60			94
59			93
58			92
57			91
56			90
55			89
54			88
53			87
52			86
51			85
50			84
49			83
48			82
47			81
46			80
45			79
44			78
43			77
42			76
41			75
40			74
39			73
38			72
37			71
36			70
35			69
34			68
33			67
32			66
31			65
30			64
29			63
28			62
27			61
26			60
25			59
24			58
23			57
22			56
21			55
20			54
19			53
18			52
17			51
16			50
15			49
14			48
13			47
12			46
11			45
10			44
9			43
8			42
7			41
6			40
5			39
4			38
3			37
2			36
1			35
1			34
1			33
1			32
1			31
1			30
1			29
1			28
1			27
1			26
1			25
1			24
1			23
1			22
1			21
1			20
1			19
1			18
1			17
1			16
1			15
1			14
1			13
1			12
1			11
1			10
1			9
1			8
1			7
1			6
1			5
1			4
1			3
1			2
1			1

CRIMPING DATA				APPLICATOR WILL APPLY
VISIBL	CRIMP HEIGHT	WIRE SIZE	WIRE STRIP LENGTH	87269
A	.040	22		
B	.040	USED		
C	.048	18 *		
D	.043	20		
CRIMP	SIZE	TYPE	FEED	APPL INST
WIRE	.070	F	420	A1
INSUL	.110			
WIRE RANGE	RELATIONSHIP PRESS TO			
22-18 *	.050 - .100 463345-1			
REMARKS				
* 18 AWG ONLY WITH APPROVAL OF PROD. ENG.				
466007				

REMARKS	NO	REV
APPL USED ON MACHINE PART NO	MACH SERIAL NO	DISTRIBUTION
CUSTOMER NAME	APPL SERIAL NO	ORIGINAL
ADDRESS	PURCHASE ORDER	CUSTOMER COPY
CITY	ENG APP	FIELD ENG COPY

REVISION RECORD	DATE	REVISION RECORD	DATE

466950-2