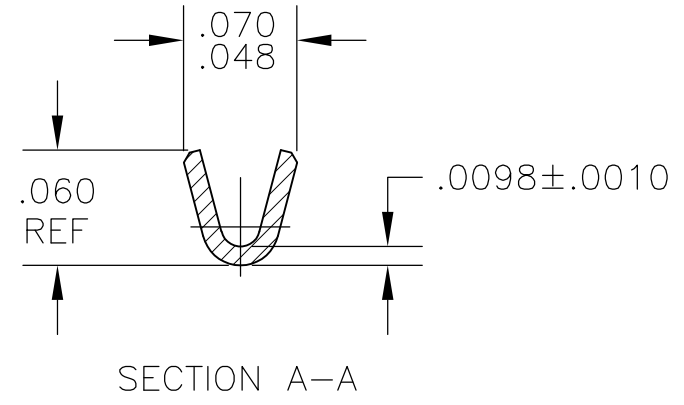
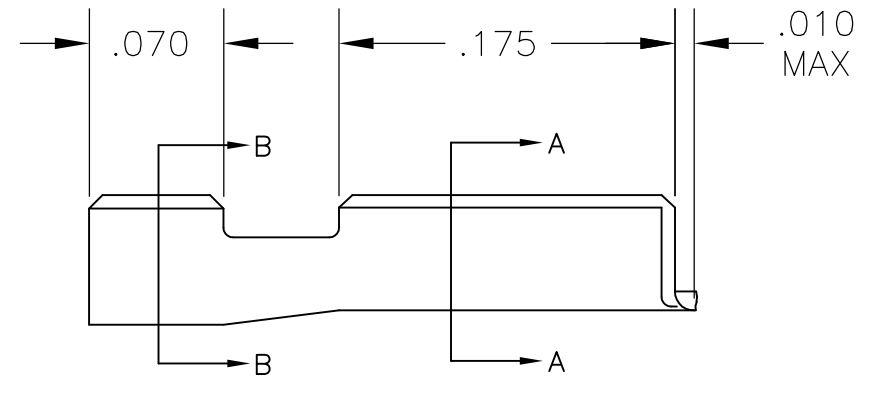
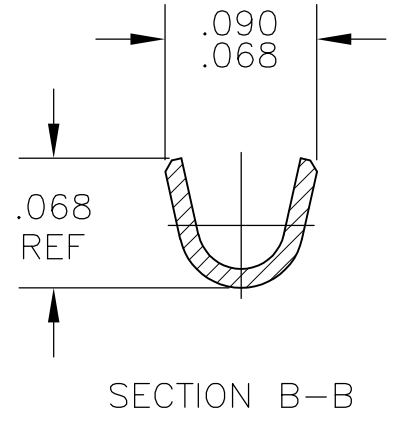
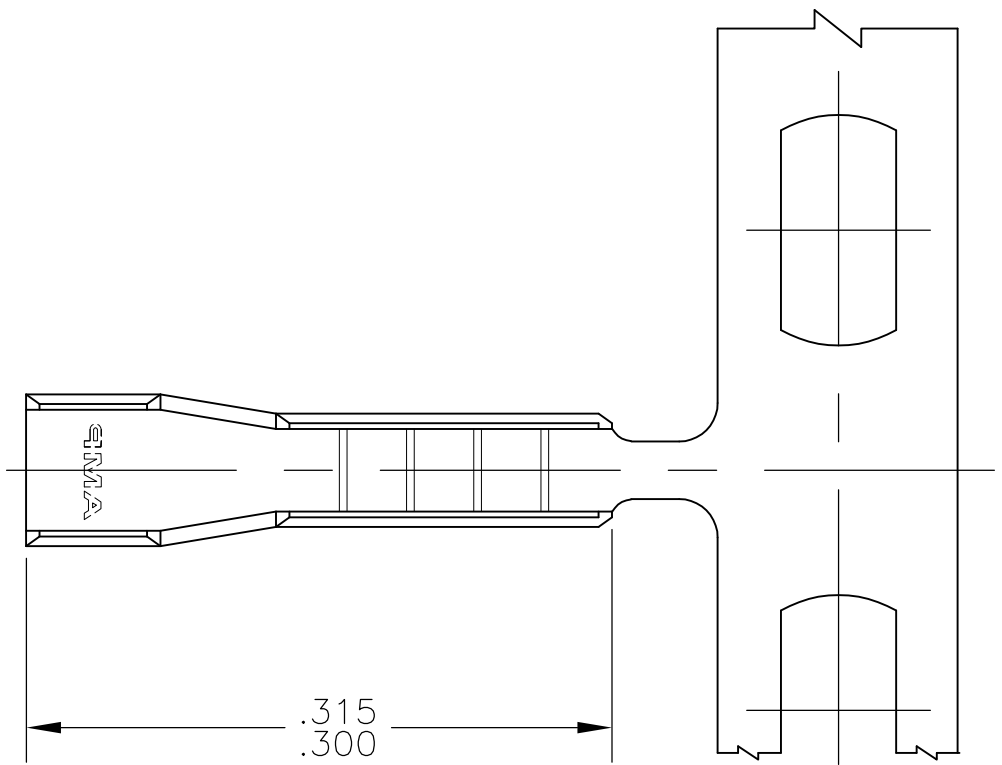


THIS DRAWING IS UNPUBLISHED. RELEASED FOR PUBLICATION  
 © COPYRIGHT BY TYCO ELECTRONICS CORPORATION. ALL RIGHTS RESERVED.

LOC	DIST	REVISIONS				
P	LTR	DESCRIPTION	DATE	DWN	APVD	
AF	50	J1	ECR-07-010352(REDRAWN IN AUTOCAD)	28FEB07	HMR	GP

- CONTINUOUS STRIP ON REELS.
- INSULATION RANGE: .038 - .042 DIA
- REFER TO APPLICATION SPECIFICATION 114-2013



TIN	1) #26(7/#34) &	62382-2
NONE	1) 25 SOLID (.0180 DIA)	62382-1
FINISH	WIRE RANGE	PART NO

THIS DRAWING IS A CONTROLLED DOCUMENT.		DWN RAGHAVENDRA 28FEB07	Tyco Electronics Corporation Harrisburg, Pa 17105-3608	
DIMENSIONS: INCHES		CHK G.D.PORTA 28FEB07		
TOLERANCES UNLESS OTHERWISE SPECIFIED:		APVD G.D.PORTA 28FEB07	NAME	
0 PLC ± - 1 PLC ± - 2 PLC ± - 3 PLC ± .010 4 PLC ± - ANGLES ± -		PRODUCT SPEC	SPLICE	
MATERIAL H04 BRASS		FINISH SEE TABLE	APPLICATION SPEC	RESTRICTED TO
		WEIGHT -	SIZE A3	CAGE CODE 00779
		CUSTOMER DRAWING	DRAWING NO C-62382	RESTRICTED TO -
		SCALE 10:1	SHEET 1 OF 1	REV J1