

MATERIAL (INSULATOR / CONTACT)
(SEE MATERIAL TABLE)

PLATING
ALL PLATINGS HAVE .000050" MIN NICKEL UNDERPLATE

CONTACT SURFACE	TERMINATION
B = .000010" GOLD	.000100" PURE TIN, MATTE
C = .000030" GOLD	.000100" PURE TIN, MATTE
G = .000010" GOLD	.000005" GOLD
E = .000100" PURE TIN, MATTE OVERALL	
S = .000010" GOLD OVERALL	
M = .000030" GOLD	.000010" GOLD OVERALL

PART NUMBER CODING

--- C --- S --- N - M ---

MODIFICATION
M30 = SURFACE MOUNT
M508 = SAME AS M30 WITH BROWN PPS (MATERIAL CODE 'R' ONLY)
M596 = SAME AS M30 WITH WHITE PA9T (MATERIAL CODE 'G' ONLY)

TERMINATION TYPE

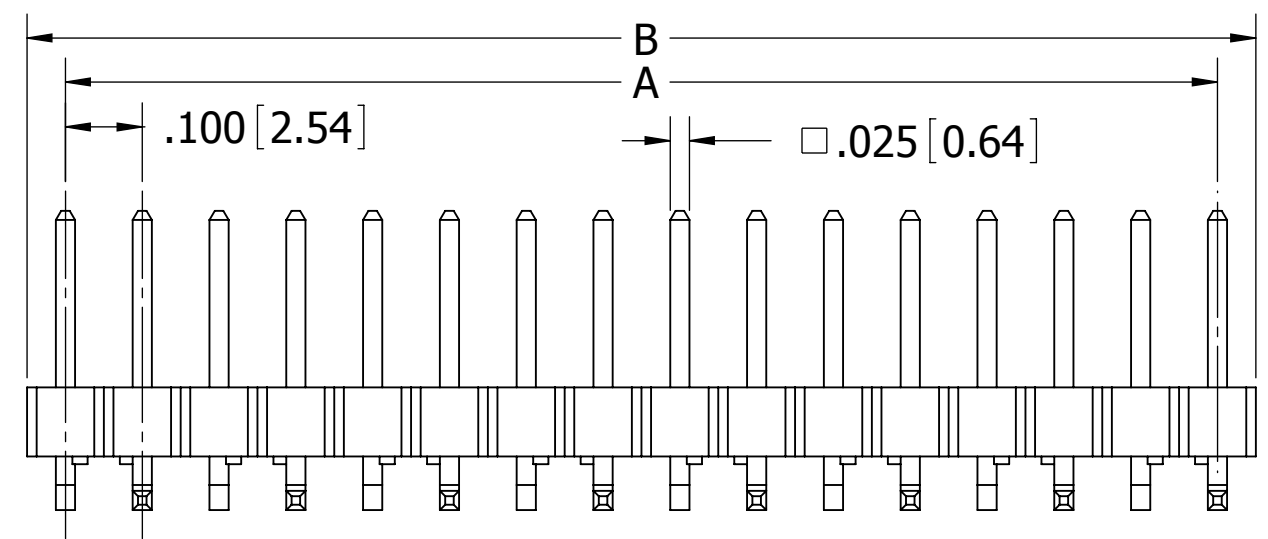
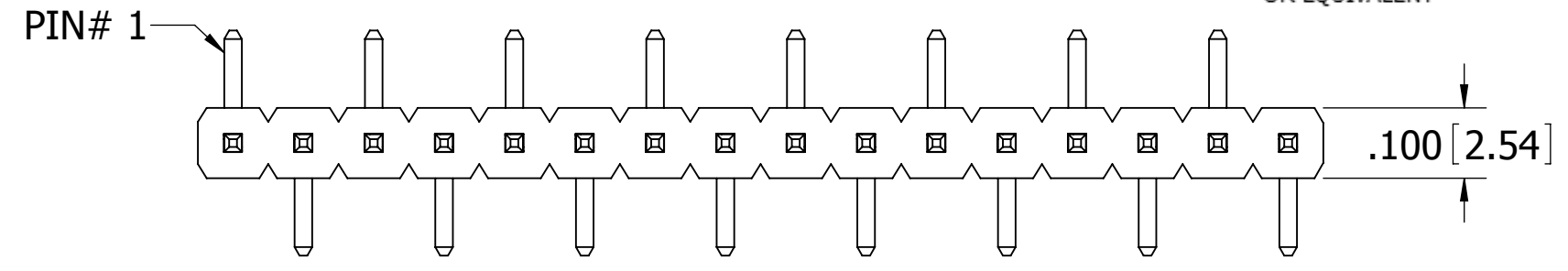
NUMBER OF POSITIONS PER ROW
(02 THRU 36)

MATERIAL TABLE

LETTER CODE	INSULATOR / CONTACT	OPERATING TEMP.	PROCESSING TEMP.	MODIFICATION NUMBER
G	BLACK PA9T / PHOSPHOR BRONZE	-65°C TO +150°C	260°C MAX FOR 10 SECS	M30
G	WHITE PA9T / PHOSPHOR BRONZE	-65°C TO +150°C	260°C MAX FOR 10 SECS	M596
*R	GREEN PPS / PHOSPHOR BRONZE**	-65°C TO +200°C	260°C MAX FOR 20 SECS	M30
*R	BROWN PPS / PHOSPHOR BRONZE**	-65°C TO +200°C	260°C MAX FOR 20 SECS	M508
*Q	TAN PEEK / PHOSPHOR BRONZE**	-65°C TO +250°C	260°C MAX FOR 20 SECS	M30

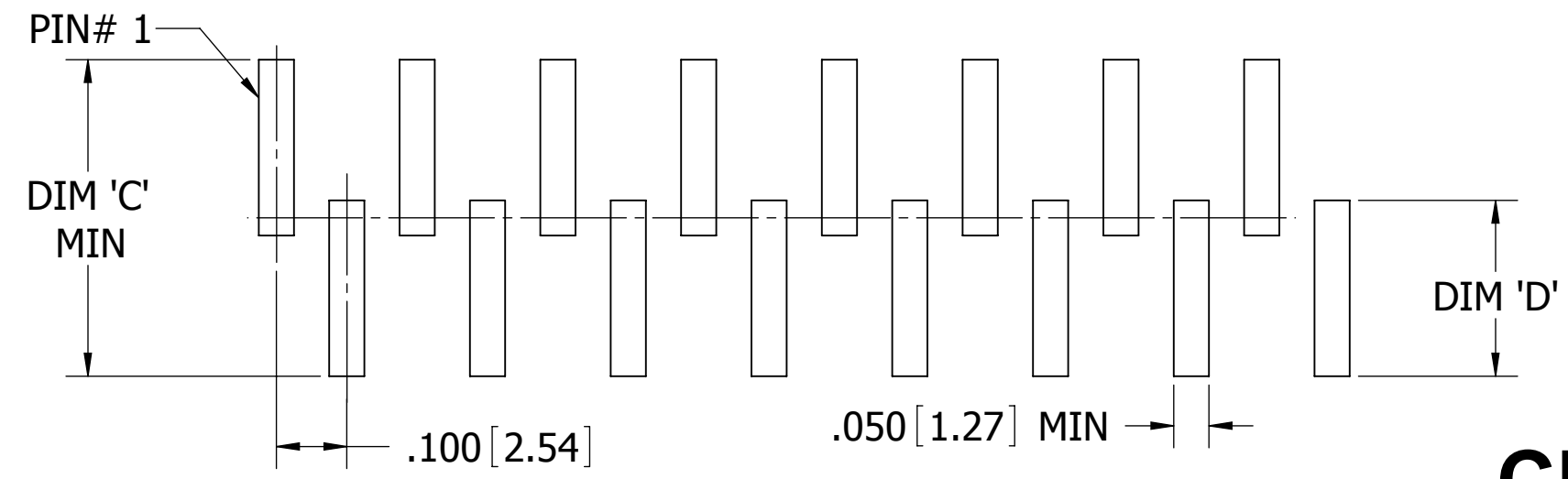
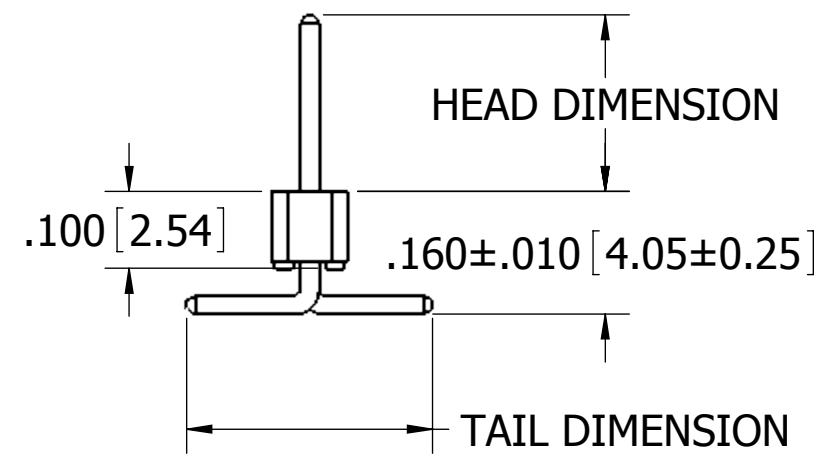
* AVAILABLE WITH OVERALL GOLD PLATING ('M') ONLY
** OR EQUIVALENT

REVISIONS				
REV.	ECO. NO	DESCRIPTION	DATE	BY
K	3061	REMOVE 'P' MATERIAL OPTION	9/5/2014	JHSU
L	3574	ADD M596 MODIFICATION CODE, REVISE MATERIAL CODING	5/8/2017	MG



--- C --- S --- N - M30
--- C --- S --- N - M508
--- C --- S --- N - M596

(PARTS AVAILABLE WITH PIN 1 BENT LEFT AS SHOWN)



PCB LAYOUT RECOMMENDED (TOP VIEW)



RoHS COMPLIANT

TERMINATION TYPE		
SURFACE MOUNT, PIN 1 LEFT		
CODE	HEAD DIMENSION ±.008[0.20]	TAIL DIMENSION ±.025[0.64]
AB	.230[5.84]	.320[8.13]
FB	.318[8.08]	.300[7.62]
ZS	.120[3.05]	.200[5.08]
ZT	.420[10.67]	.200[5.08]

TERMINATION TYPE	DIM 'C' (MIN)	DIM 'D'
AB	.450 [11.43]	.250 [6.35]
FB	.450 [11.43]	.250 [6.35]
ZS	.350 [8.89]	.200 [5.08]
ZT	.350 [8.89]	.200 [5.08]

PART NUMBER	A		B	
	INCH	MM	INCH	MM
	±.008	±0.20	±.020	±0.51
__C02S__N-M__	.100	2.54	.200	5.08
__C03S__N-M__	.200	5.08	.300	7.62
__C04S__N-M__	.300	7.62	.400	10.16
__C05S__N-M__	.400	10.16	.500	12.70
__C06S__N-M__	.500	12.70	.600	15.24
__C07S__N-M__	.600	15.24	.700	17.78
__C08S__N-M__	.700	17.78	.800	20.32
__C09S__N-M__	.800	20.32	.900	22.86
__C10S__N-M__	.900	22.86	1.000	25.40
__C11S__N-M__	1.000	25.40	1.100	27.94
__C12S__N-M__	1.100	27.94	1.200	30.48
__C13S__N-M__	1.200	30.48	1.300	33.02
__C14S__N-M__	1.300	33.02	1.400	35.56
__C15S__N-M__	1.400	35.56	1.500	38.10
__C16S__N-M__	1.500	38.10	1.600	40.64
__C17S__N-M__	1.600	40.64	1.700	43.18
__C18S__N-M__	1.700	43.18	1.800	45.72
__C19S__N-M__	1.800	45.72	1.900	48.26
__C20S__N-M__	1.900	48.26	2.000	50.80
__C21S__N-M__	2.000	50.80	2.100	53.34
__C22S__N-M__	2.100	53.34	2.200	55.88
__C23S__N-M__	2.200	55.88	2.300	58.42
__C24S__N-M__	2.300	58.42	2.400	60.96
__C25S__N-M__	2.400	60.96	2.500	63.50
__C26S__N-M__	2.500	63.50	2.600	66.04
__C27S__N-M__	2.600	66.04	2.700	68.58
__C28S__N-M__	2.700	68.58	2.800	71.12
__C29S__N-M__	2.800	71.12	2.900	73.66
__C30S__N-M__	2.900	73.66	3.000	76.20
__C31S__N-M__	3.000	76.20	3.100	78.74
__C32S__N-M__	3.100	78.74	3.200	81.28
__C33S__N-M__	3.200	81.28	3.300	83.82
__C34S__N-M__	3.300	83.82	3.400	86.36
__C35S__N-M__	3.400	86.36	3.500	88.90
__C36S__N-M__	3.500	88.90	3.600	91.44

- NOTES:**
- INSULATOR MATERIAL: SEE PART NUMBER CODING
 - CONTACT MATERIAL: SEE PART NUMBER CODING
 - PLATING: SEE PART NUMBER CODING
 - OPERATING TEMPERATURE: SEE MATERIAL TABLE
 - PROCESSING TEMPERATURE: SEE MATERIAL TABLE
 - UL FLAMMABILITY: 94V-0
 - DIELECTRIC WITHSTANDING VOLTAGE: 1800 VAC
 - CURRENT RATING: 3 AMPS
 - CONTACT RESISTANCE : 30 MILLIOHMS MAX.
 - INSULATION RESISTANCE: 5000 MEGA OHMS MIN.
 - MODIFICATION: SURFACE MOUNT

CUSTOMER COPY

UNLESS OTHERWISE SPECIFIED: DIMENSIONS ARE IN INCHES [MM]		DRAWN	DATE	NAME	
			9/7/2011	JH	
TOLERANCES: ANGULAR: ± 1° DECIMALS .XX = ± .02 [.5] .XXX = ± .005 [.13] .XXXX = ± .0005 [.013]					TITLE
THE INFORMATION HEREIN CONTAINS PROPRIETARY INFORMATION OF SULLINS ELECTRONICS AND IS NOT TO BE REPRODUCED, USED OR DISCLOSED TO OTHERS FOR ANY PURPOSE EXCEPT AS SPECIFICALLY AUTHORIZED IN WRITING BY AN OFFICER OF SULLINS ELECTRONICS.					HEADER, .100 CC
PART NUMBER					__C__S__N-(M30,M508,M596)
SIZE	CAGE CODE	DWG. NO.	REV		
C	54453	C10058	L		
SCALE: 4:1			SHEET 1 OF 1		