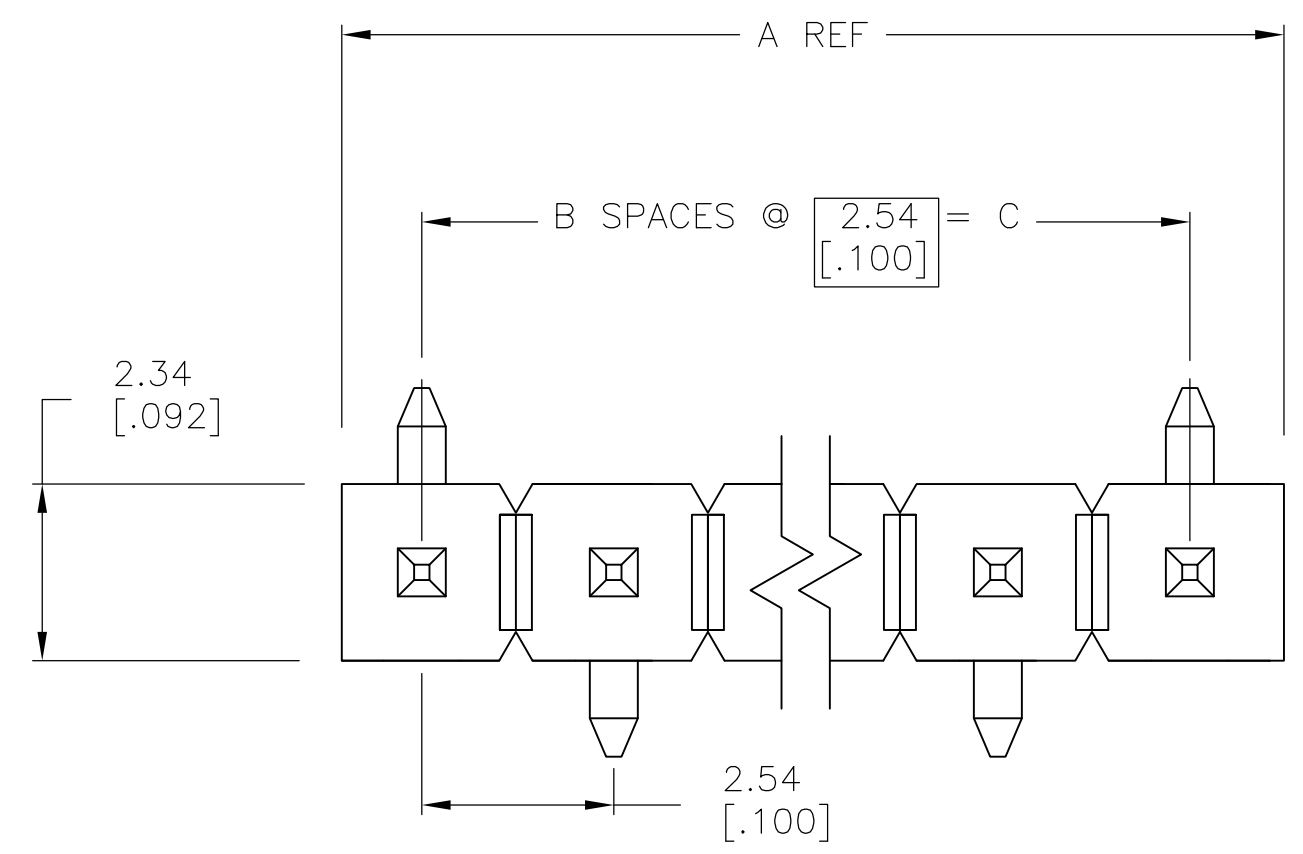
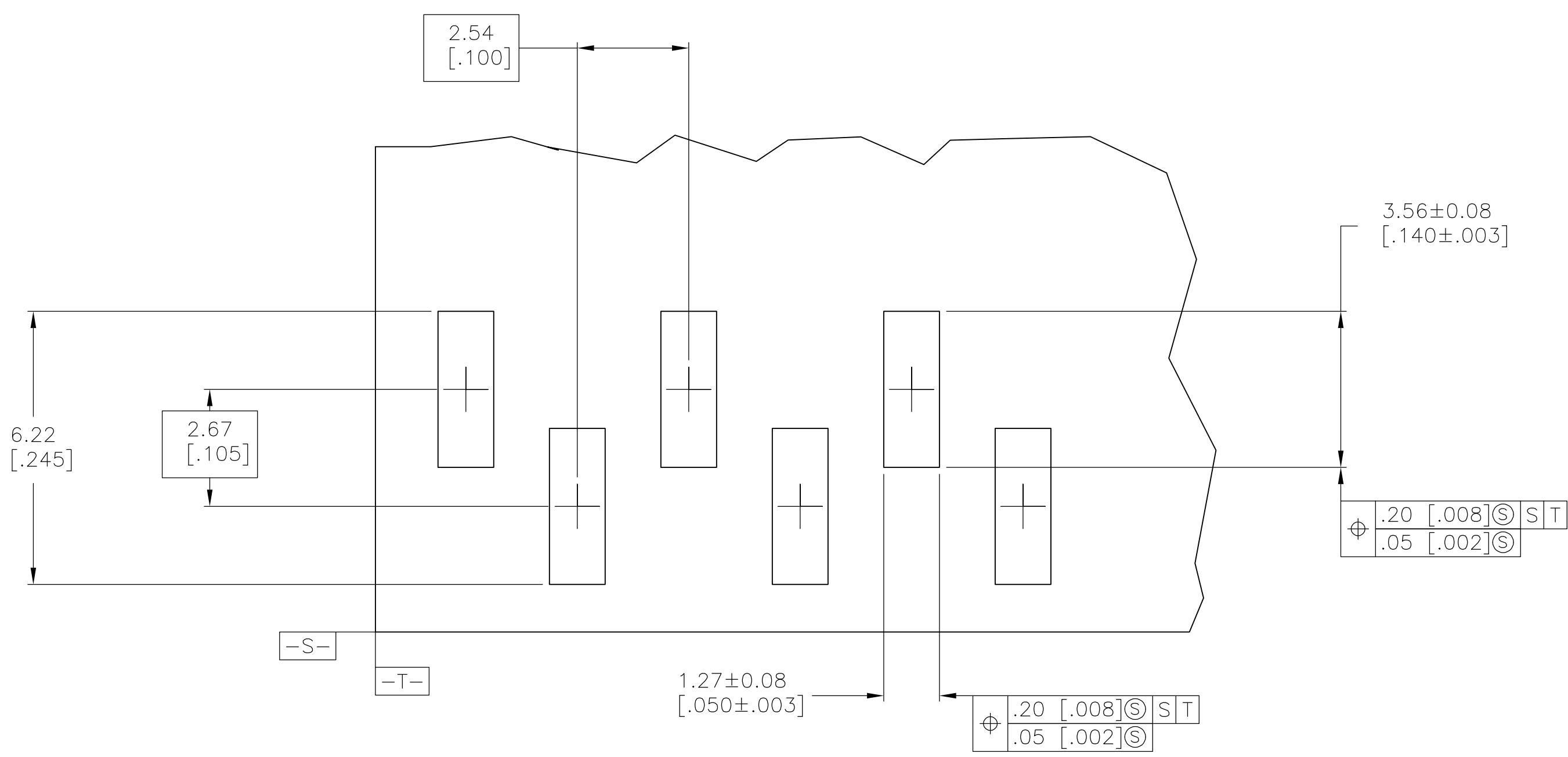
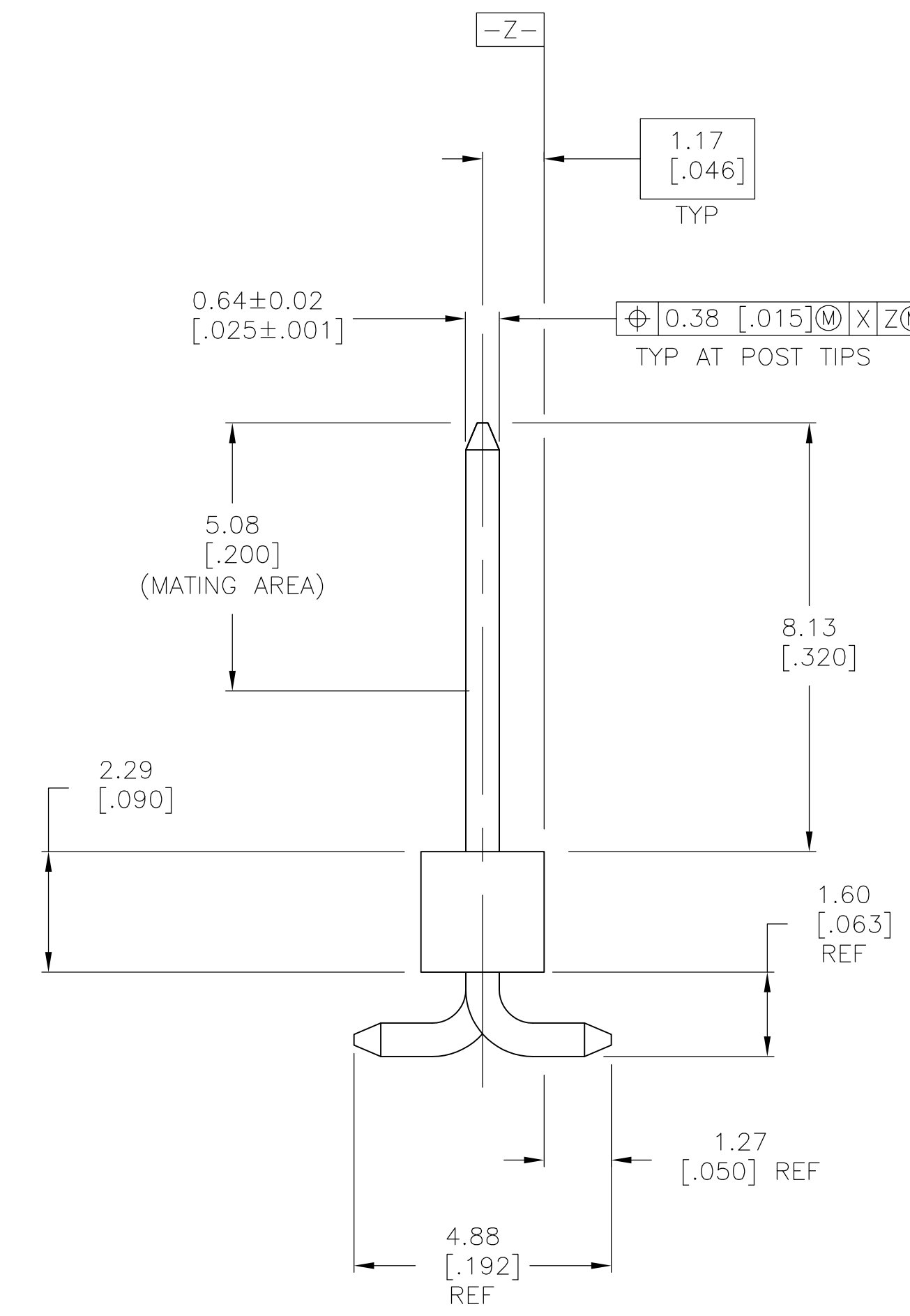
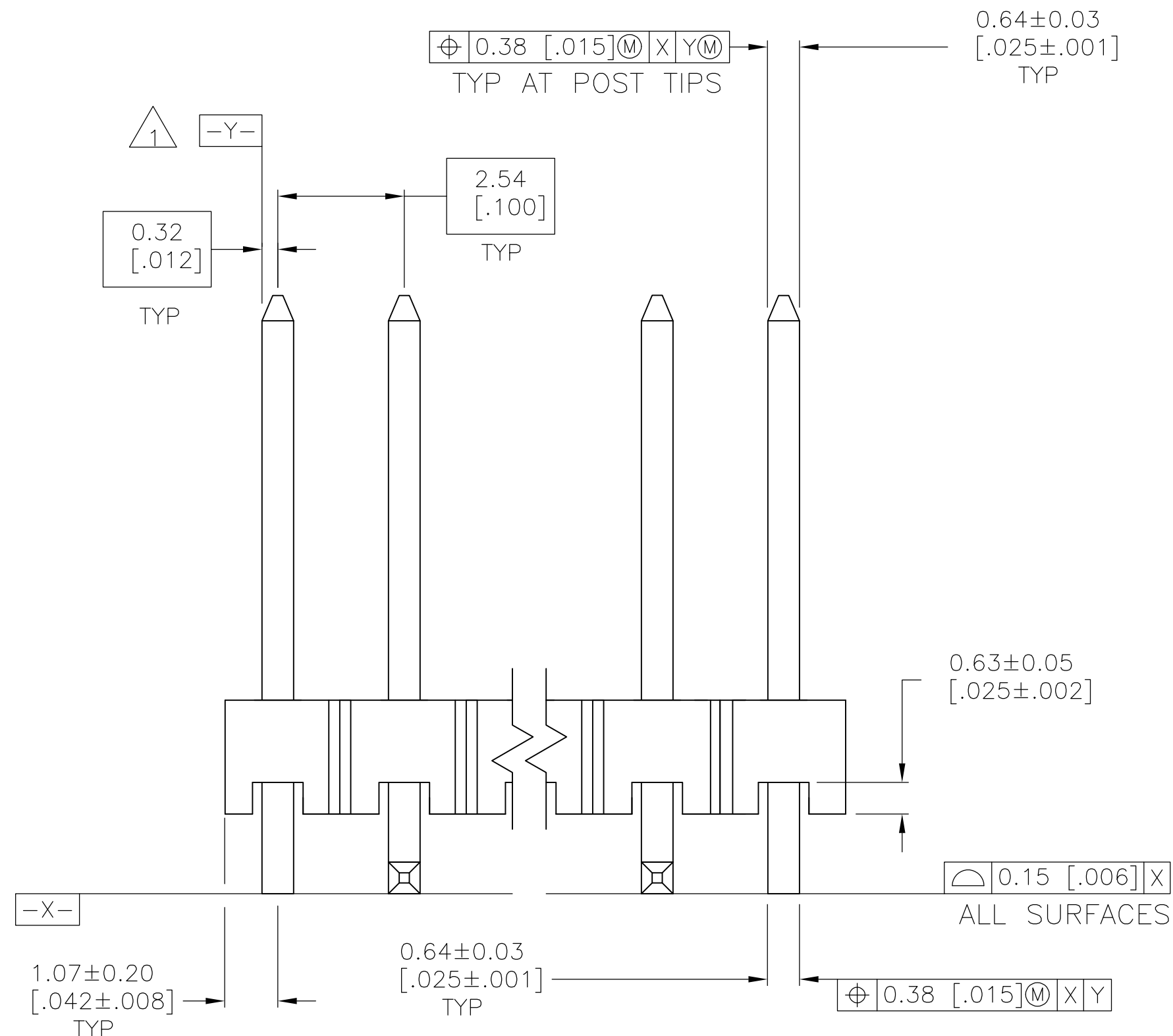


REVISONS		DATE	BY	APPV
J	EC 0G3C 0826 04	16FEB05	BSV	JLG
J1	REVISED PER ECO-09-020932	07SEP09	KK	IAEG



- 1 THE NOTED DIMENSIONS APPLY AT THE INTERSECTION OF THE POST AND THE HOUSING.
- 2 0.000762[.000030] GOLD ON CONTACT AREA, 0.00254[.000100]-0.00508[.000200] MATTE TIN-LEAD ON SOLDER TAIL, ALL OVER 0.00127[.000050] NICKEL.
- 3 HOUSING: LCP, COLOR-BLACK. POSTS: PHOSPHOR BRONZE.
- 4 0.000762[.000030] GOLD ON CONTACT AREA, 0.00254[.000100]-0.00508[.000200] MATTE TIN ON SOLDER TAIL, ALL OVER 0.00127[.000050] NICKEL.
- 5 OBSOLETE PARTS: OBSOLETE CIS STREAMLINING PER D.RENAUD/D.SINISI



REV	DESCRIPTION	DATE	BY	APPV		
5	OBSOLETE	35.56 [1.400]	14	35.69 [1.484]	15	-6-146129-3-
5	OBSOLETE	33.02 [1.300]	13	33.15 [1.384]	14	-6-146129-2-
5	OBSOLETE	30.48 [1.200]	12	30.61 [1.284]	13	6-146129-1
5	OBSOLETE	27.94 [1.100]	11	28.07 [1.184]	12	-6-146129-0-
5	OBSOLETE	25.40 [1.000]	10	27.53 [1.084]	11	5-146129-9
5	OBSOLETE	22.86 [0.900]	9	24.99 [0.984]	10	-5-146129-8-
5	OBSOLETE	20.32 [0.800]	8	22.45 [0.884]	9	-5-146129-7-
5	OBSOLETE	17.78 [0.700]	7	19.91 [0.784]	8	5-146129-6
5	OBSOLETE	15.24 [0.600]	6	17.37 [0.684]	7	5-146129-5
5	OBSOLETE	12.70 [0.500]	5	14.83 [0.584]	6	-5-146129-4-
5	OBSOLETE	10.16 [0.400]	4	12.29 [0.484]	5	5-146129-3
5	OBSOLETE	7.62 [0.300]	3	9.75 [0.384]	4	5-146129-2
5	OBSOLETE	5.08 [0.200]	2	7.21 [0.284]	3	5-146129-1
5	OBSOLETE	35.56 [1.400]	14	35.69 [1.484]	15	-1-146129-3-
5	OBSOLETE	33.02 [1.300]	13	33.15 [1.384]	14	1-146129-2
5	SUPERSEDED	30.48 [1.200]	12	30.61 [1.284]	13	-1-146129-1-
5	SUPERSEDED	27.94 [1.100]	11	28.07 [1.184]	12	1-146129-0
5	SUPERSEDED	25.40 [1.000]	10	27.53 [1.084]	11	146129-9
5	OBSOLETE	22.86 [0.900]	9	24.99 [0.984]	10	-146129-8-
5	OBSOLETE	20.32 [0.800]	8	22.45 [0.884]	9	-146129-7-
5	SUPERSEDED	17.78 [0.700]	7	19.91 [0.784]	8	-146129-6-
5	SUPERSEDED	15.24 [0.600]	6	17.37 [0.684]	7	146129-5
5	OBSOLETE	12.70 [0.500]	5	14.83 [0.584]	6	-146129-4-
5	SUPERSEDED	10.16 [0.400]	4	12.29 [0.484]	5	-146129-3-
5	SUPERSEDED	7.62 [0.300]	3	9.75 [0.384]	4	146129-2
5	SUPERSEDED	5.08 [0.200]	2	7.21 [0.284]	3	146129-1
PLATING	C	B	A	NO OF POSN	PART NUMBER	

RECOMMENDED PCB LAYOUT FOR USE WITH .008 THICK STENCIL

THIS DRAWING IS A CONTROLLED DOCUMENT.

DIMENSIONS: mm [INCHES]  
 TOLERANCES UNLESS OTHERWISE SPECIFIED:  
 0 PLC ± -  
 1 PLC ± -  
 2 PLC ± 0.13[.005]  
 3 PLC ± -  
 4 PLC ± -  
 ANGLES ± -  
 MATERIAL FINISH SEE TABLE  
 WEIGHT -  
 CUSTOMER DRAWING

DIB J KNAUB 9-30-94  
 CHK G DUBNICZKI 9-30-94  
 APPV G DUBNICZKI 9-30-94  
 NAME SURFACE MOUNT HEADER ASSEMBLY, MOD II, BREAKAWAY, VERTICAL, SINGLE ROW, .100 X.100 C/L, .025 SQ.POST  
 APPLICATION SPEC  
 SIZE A1  
 CASE CODE 00779  
 DRAWING NO 146129  
 RESTRICTED TO  
 SCALE 10:1 SHEET 1 OF 1 REV J1

Tyco Electronics Corporation  
 Harrisburg, Pa 17105-3608