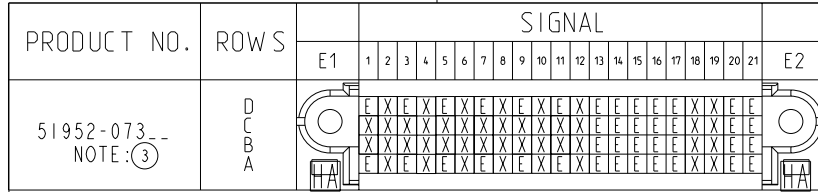


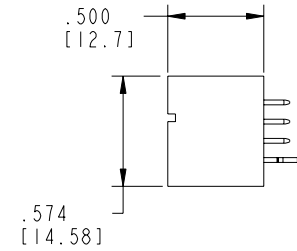
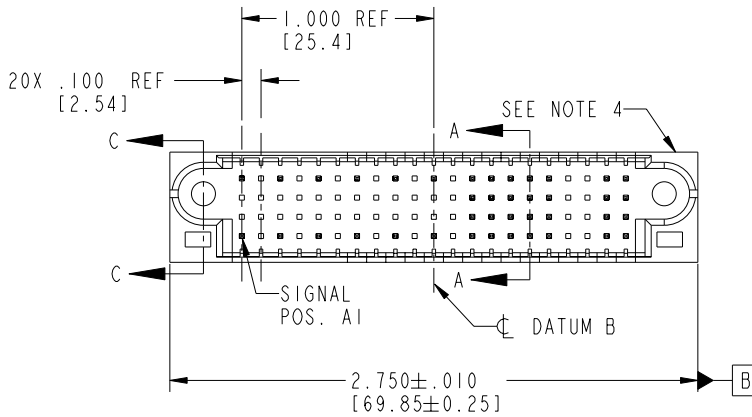
Tous droits strictement réservés. Reproduction ou communication a des tiers interdite
 sous quelque forme que ce soit sans autorisation écrite du propriétaire.
 Property of FCI. Droits de reproduction FCI.



All rights strictly reserved. Reproduction or issue to third parties in any
 form whatever is not permitted without written authority from the proprietor.
 Property of FCI. Copyright FCI.



51952-073--
 NOTE: (3)



CODE	DIM "M" MATING LENGTH	CONTACT TYPE
E	.270 [6.86]	SIGNAL
HA	N/A [N/A]	HOLD-DOWN
X	OMITTED	OMITTED

mat'l code				SEE NOTE 2		tolerances unless otherwise specified		CUSTOMER		FCI www.fciconnect.com	
ltr	ecn no.	dr	date	linear	.XX±.01/0.X±0.3		COPY		title		
A	DG05-0296	GuoJM	08/24/05		.XXX±.005/0.XX±0.13		projection		84S		
B	DG06-0461	JMG	11/03/06		.XXX±.0020/0.XXX±0.051		INCH/MM		VERTICAL SOLDER HEADER		
C	DG07-0061	JULIA	02/14/07	angles	0°±2°		scale		product family		
				dr	JM Guo	08/24/05	1:1		PwrBlade		
				engr	SLUO	08/24/05			code		
				chr	VICTOR LIN	08/24/05			213		
				appd	JOSEPH HSIA	08/24/05			sheet		
sheet index		revision sheet		C	C	C	C	A		51952-073	
		1	2	3	4					1 of 4	

Pro/E

cage code 22526

PDM: Rev:C

STATUS: Released

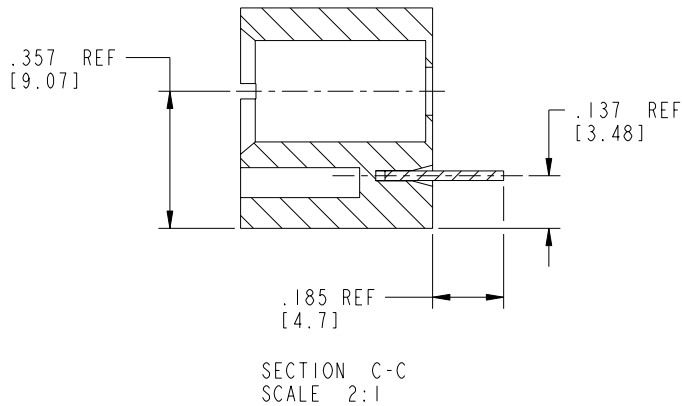
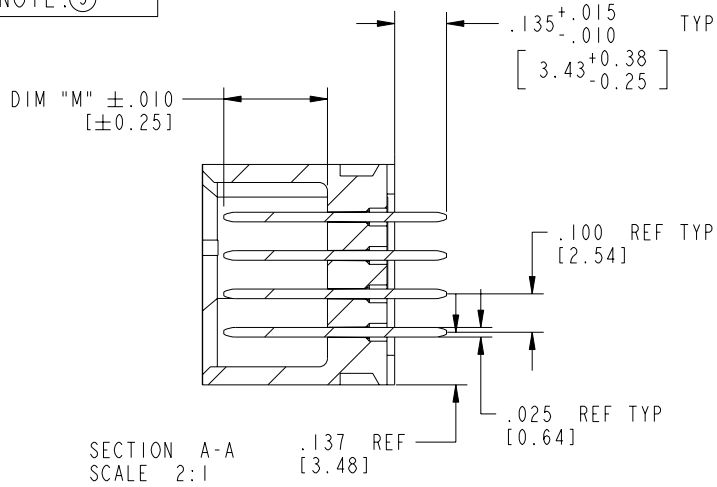
Printed: Dec 20, 2010

Tous droits strictement réservés. Reproduction ou communication a des tiers interdite sous quelque forme que ce soit sans autorisation écrite du propriétaire. Propriété de c FCI. Droits de reproduction FCI.



All rights strictly reserved. Reproduction or issue to third parties in any form whatever is not permitted without written authority from the proprietor. Property of FCI. Copyright FCI.

PRODUCT NUMBER
51952-073--
NOTE: (3)



mat'l code				SEE NOTE 2		tolerances unless otherwise specified		CUSTOMER		FCI www.fciconnect.com	
ltr	ecn no.	dr	date	linear	.XX±.01/0.X±0.3		COPY		title		
C					.XXX±.005/0.XXX±0.13		projection		84S		
					.XXXX±.0020/0.XXX±0.051				VERTICAL SOLDER HEADER		
				angles	0° ± 2°				product family		code
				dr	JM Guo	08/24/05	scale		PwrBlade		213
				enr	SLUO	08/24/05	1:1		size		sheet
				chr	VICTOR LIN	08/24/05	A		51952-073		2 of 4
				appd	JOSEPH HSIA	08/24/05					
sheet index	revision sheet										



84S
VERTICAL SOLDER HEADER

product family PwrBlade code 213

size 51952-073 sheet 2 of 4

cage code 22526

Pro/E

PDM: Rev:C

STATUS: Released

Printed: Dec 20, 2010

Tous droits strictement réservés. Reproduction ou communication a des tiers interdite sous quelque forme que ce soit sans autorisation écrite du propriétaire. Propriété de c FCI. Droits de reproduction FCI.



All rights strictly reserved. Reproduction or issue to third parties in any form whatever is not permitted without written authority from the proprietor. Property of FCI. Copyright FCI.

PRODUCT NUMBER
51952-073__
NOTE:③

NOTES:

1. DIMENSIONS AND TOLERANCES ARE IN ACCORDANCE WITH ASME Y14.5M, 1994 UNLESS OTHERWISE SPECIFIED.

CONNECTOR NOTES:

- ② HOUSING MATERIAL: UL 94 V-0 GLASS FILLED HIGH-TEMP THERMOPLASTIC
POWER CONTACT MATERIAL: COPPER ALLOY
SIGNAL PIN MATERIAL: COPPER ALLOY
- 3. 51952-073;51952-073LF;51952-073GLF PLATING SPEC. SEE PRINT:10064183
- ④ MANUFACTURER'S NAME, P/N, AND DATE CODE TO APPEAR ON THIS SURFACE.
- 5. PRODUCT SPECIFICATION GS-12-149.
APPLICATION SPECIFICATION BUS-20-067.
- 6. PACKAGED IN TRAYS.

PCB NOTES:

- 7. ALL HOLE DIAMETERS ARE FINISHED HOLE SIZE.
- 8. MOUNTING HOLES, WHERE APPLICABLE, ARE UNPLATED.
- ⑨ $\varnothing .0453 \pm .0010$ [1.151 \pm 0.025] DRILLED HOLES PLATED WITH .0003 [0.008] MIN SnPb OR Sn OVER .001 [0.03] TO .003 [0.08] Cu PLATING TO ACHIEVE $\varnothing .040 \pm .003$ [1.02 \pm .07] HOLE.
- ⑩ "DIM XXX" TO BE DETERMINED BY THE CUSTOMER.
- ⑪ CONNECTOR KEEP-OUT ZONE.

mat'l code		SEE NOTE 2		tolerances unless otherwise specified		CUSTOMER		FCI		www.fciconnect.com	
ltr	ecn no.	dr	date	linear	.XX \pm .01/0.X \pm 0.3	COPY		title		84S	
C				linear	.XXX \pm .005/0.XX \pm 0.13	projection		VERTICAL SOLDER HEADER			
				angles	.XXX \pm .0020/0.XXX \pm 0.051 $0 \pm ?^\circ$			product family		PwrBlade	
				dr	JM Guo 08/24/05	INCH/MM		size		213	
				enr	SLUO 08/24/05	scale		dwg no		4 of 4	
				chr	VICTOR LIN 08/24/05	1:1		A		51952-073	
				appd	JOSEPH HSIA 08/24/05						
sheet index	revision sheet										

cage code 22526

Pro/E

PDM: Rev:C

STATUS:Released

Printed: Dec 20, 2010