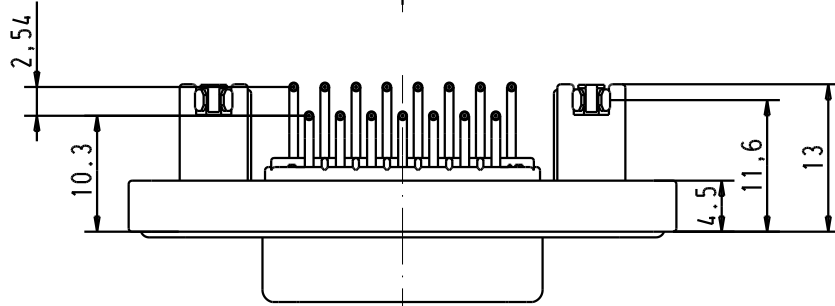
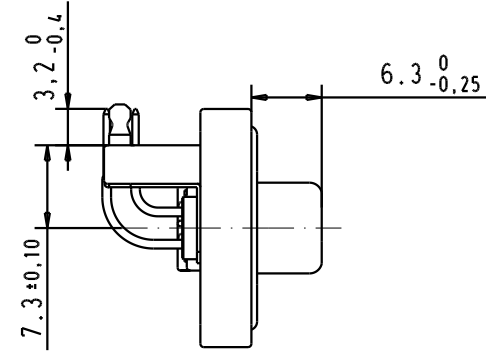
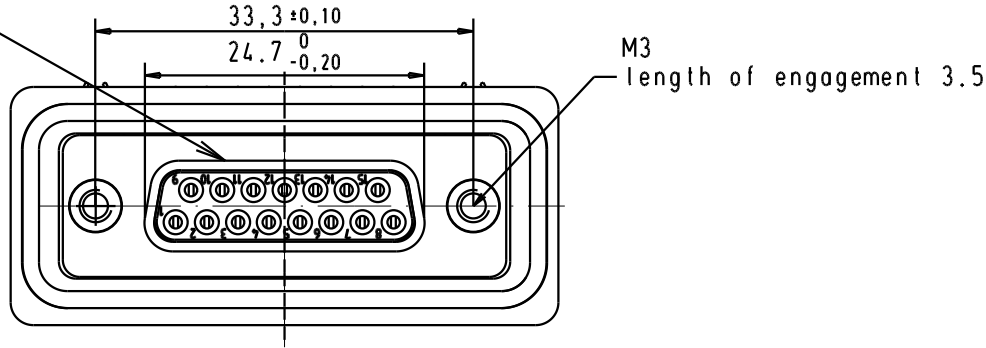


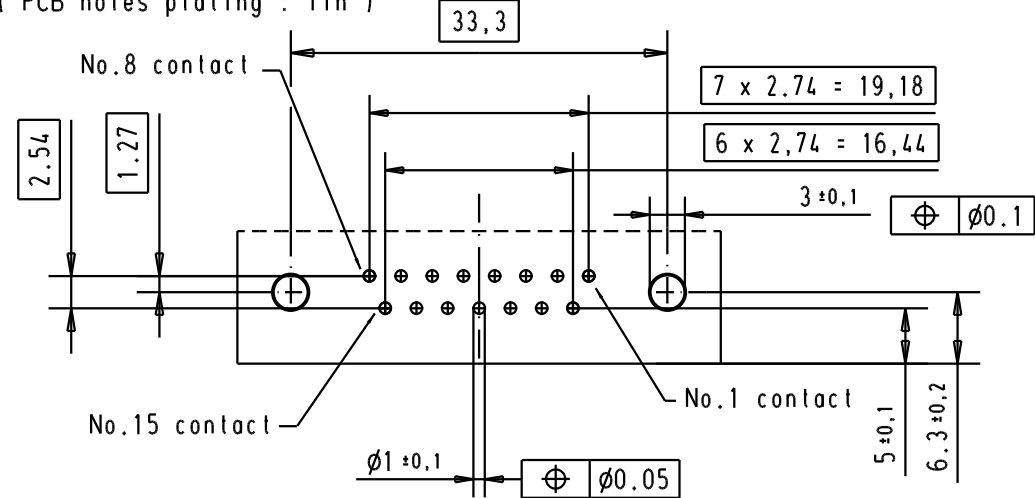
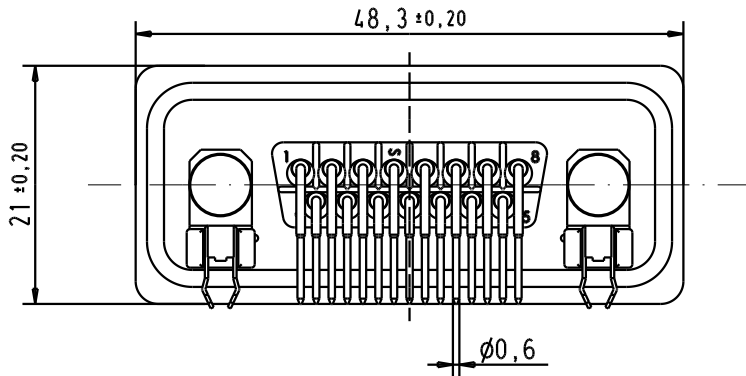
5 4 3 2 1

Mating face according to : MIL-C-24308 / DIN 41652 / CECC 75.01-802



1) Protection standard IP 67 according to IEC 529 / DIN 40050.

PCB layout hole component side
(PCB holes plating : Tin)



09 67 515 8758	Au plating 0,76 µm mini
Part Number	Performance Level

			Dat.	Name	<p>All Dim. in mm Orig. Size DIN A 4</p>
		Detail.	20/01/04	S.H.	
		Insp.			
		Stand.			
31587	20/01/04	S.H.	HARTING ELEKTRONIK F-95972 Paris		
Mod.	Dat.	Name			

D-SUB IP67 female 15 Poles angled solder pin with bracket and clip for 1.6mm PCB M3 nut		Moßstab/ Scale
TB 09 67 515 8758		Blatt / Page
Sub.		