

Sensor/actuator box - SACB-6/ 6-C SCO - 1516865

Please be informed that the data shown in this PDF Document is generated from our Online Catalog. Please find the complete data in the user's documentation. Our General Terms of Use for Downloads are valid (<http://download.phoenixcontact.com>)



Sensor/actuator box, Connection method: M12-SPEEDCON-socket Metal, Number of slots: 6, Number of positions: 4, Slot assignment: Single, Status indication: No, Universal; Master cable connection: Pluggable screw connection 180°, Shielding: No

Product Features

- ✓ Safety in the field, thanks to molded housing and high degree of protection
- ✓ Flexible, distributed bundling of signals in one master cable
- ✓ Save time, thanks to installation with SPEEDCON fast locking system
- ✓ Flexible: distributor box with connector hood for on-site assembly



Key commercial data

| | |
|--------------------------------------|-----------|
| Packing unit | 1 PCE |
| Weight per Piece (excluding packing) | 292.9 GRM |
| Custom tariff number | 85366990 |
| Country of origin | Poland |

Technical data

General

| | |
|--|-----------------------------------|
| Rated voltage | 120 V |
| Max. operating voltage U_{max} | 135 V |
| Current carrying capacity per I/O signal | 2 A |
| Current carrying capacity per slot | 4 A |
| Total rated current | 10 A |
| | 2x 8 A (For electrical isolation) |
| Number of positions | 4 |
| Number of slots | 6 |
| Inflammability class according to UL 94 | V0 |
| Sensor/actuator connection system | M12-SPEEDCON-socket |

Sensor/actuator box - SACB-6/ 6-C SCO - 1516865

Technical data

Ambient conditions

| | |
|---------------------------------|------------------|
| Degree of protection | IP65 |
| | IP67 |
| | IP69K |
| Ambient temperature (operation) | -30 °C ... 80 °C |

Master cable data/connection data

| | |
|--|----------------------------|
| Connection method | Pluggable screw connection |
| Conductor cross section min. (signal) | 0.14 mm ² |
| Conductor cross section max. (signal) | 1.5 mm ² |
| Conductor cross section AWG min. (signal) | 26 |
| Conductor cross section AWG max. (signal) | 16 |
| Stripping length (signal) | 7 mm |
| Conductor cross section min. (energy) | 0.14 mm ² |
| Conductor cross section max. (energy) | 1.5 mm ² |
| Conductor cross section AWG min. (energy) | 26 |
| Conductor cross section AWG max. (energy) | 16 |
| External cable diameter min. | 7 mm |
| External cable diameter max. | 12 mm |
| Stripping length | 50 mm (Master cable) |
| Tightening torque, cover screw | 0.35 Nm |
| Tightening torque, union nut | 2.5 Nm |
| Tightening torque slot sensor/actuator cable | 0.4 Nm |

Insulation material

| | |
|--|---------------|
| Housing material | PBT |
| Material of the moulding mass | PUR |
| Contact material | Cu alloy |
| Contact surface material | Gold-plated |
| Contact carrier material | PA |
| Material of contact, master cable side | CU alloy |
| Material of contact surface, master cable side | Gold-plated |
| Material of the contact carrier on the master cable side | PA 66 V0 |
| Material of threaded sleeve | Zinc die-cast |
| Material of threaded sleeve surface | Nickel-plated |
| Material, O-ring | NBR |

Pin assignment

| | |
|--|-------------------|
| Slot/position = Wire color or connection | 1 / 4 (A) = 1 / 4 |
| | 2 / 4 (A) = 2 / 4 |

Sensor/actuator box - SACB-6/ 6-C SCO - 1516865

Technical data

Pin assignment

| | |
|--|------------------------------------|
| | 3 / 4 (A) = 3 / 4 |
| | 4 / 4 (A) = 4 / 4 |
| | 5 / 4 (A) = 5 / 4 |
| | 6 / 4 (A) = 6 / 4 |
| | 1-6 / 1 (+ 120 V) = U _N |
| | 1-6 / 3 (0 V) = 0 V |
| | 1-6 / 5 (PE) = PE |

Classifications

eCl@ss

| | |
|------------|----------|
| eCl@ss 4.0 | 27140815 |
| eCl@ss 4.1 | 27140815 |
| eCl@ss 5.0 | 27143423 |
| eCl@ss 5.1 | 27143423 |
| eCl@ss 6.0 | 27143423 |
| eCl@ss 7.0 | 27449001 |
| eCl@ss 8.0 | 27449001 |

ETIM

| | |
|----------|----------|
| ETIM 2.0 | EC000200 |
| ETIM 3.0 | EC001856 |
| ETIM 4.0 | EC002585 |
| ETIM 5.0 | EC002585 |

UNSPSC

| | |
|---------------|----------|
| UNSPSC 6.01 | 31261501 |
| UNSPSC 7.0901 | 31261501 |
| UNSPSC 11 | 31261501 |
| UNSPSC 12.01 | 31261501 |
| UNSPSC 13.2 | 31261501 |

Approvals

Approvals

Approvals

UL Recognized / cUL Recognized / GOST / cULus Recognized

Sensor/actuator box - SACB-6/ 6-C SCO - 1516865

Approvals

Ex Approvals

Approvals submitted

Approval details

| | |
|--------------------------------|-------|
| UL Recognized | |
| | |
| Nominal current I _N | 3 A |
| Nominal voltage U _N | 120 V |

| | |
|--------------------------------|-------|
| cUL Recognized | |
| | |
| Nominal current I _N | 3 A |
| Nominal voltage U _N | 120 V |

| | |
|------|--|
| GOST | |
|------|--|

| | |
|------------------|--|
| cULus Recognized | |
|------------------|--|

Accessories

Accessories

Cable by the meter

Sensor/actuator box - SACB-6/ 6-C SCO - 1516865

Accessories

Master cable ring - SACB- 6X0,34/ 3X0,75-50,0 PUR - 1503331



Master cable for sensor/actuator boxes, with PE conductor, unshielded, material PUR/PVC, 9-pos., 6 x 0.34 mm² and 3 x 0.75 mm²

Connector hood without master cable

Connector hood - SACB-C-H180 8/16 SCO - 1516713



Connector hood with an integrated connector, for M12 sensor/actuator boxes with metal thread and pluggable screw connection, for 4, 6 or 8 slots

Device marking

Contact marker – zack marker strip - SS-ZB 17,5 WH - 0804963



Contact marker – zack marker strip, Strip, white, Unlabeled, Can be labeled with: Plotter, Mounting type: Snap into flat marker groove, Lettering field: 17.5 x 8 mm

Protective cap

Screw plug - PROT-MS SCO - 1553129



M12 screw plug with SPEEDCON quick locking for unoccupied M12 sockets of the sensor/actuator cables, boxes and flush-type connectors

Screwdriver tools

Sensor/actuator box - SACB-6/ 6-C SCO - 1516865

Accessories

Tool - SAC BIT M12-D15 - 1208432



Nut for assembling sensor/actuator cables with M12 connector and for M12 connectors with QUICKON fast connection technology, for 4 mm hexagonal drive

Tool - SACC BIT M12-D20 - 1208445



Nut for assembling SACC M12 connectors for free assembly, excluding M12 connectors with QUICKON fast connection technology, for 4 mm hexagonal drive

Philips screwdriver - SZK PZ1 VDE - 1206450



Screwdriver, PZ crosshead, VDE insulated, size: PZ 1 x 80 mm, 2-component grip, with non-slip grip

Torque tool

Torque screwdriver - TSD 04 SAC - 1208429

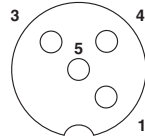


Torque screwdriver, with preset torque of 0.4 Nm and 4 mm hexagonal drive for M12 connectors

Drawings

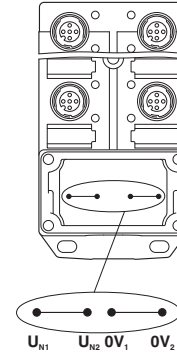
Sensor/actuator box - SACB-6/ 6-C SCO - 1516865

Schematic diagram



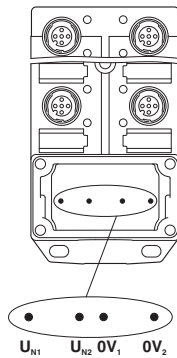
M12 slot, socket, 4-pos.

Schematic diagram



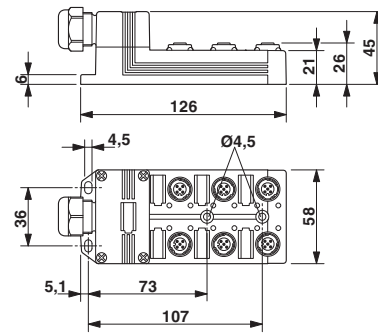
Potential U_{N1} and U_{N2} bridged. Potential assignment: $U_{N1} = U_{N2} =$ slots 1,2,3,4,5,6.

Schematic diagram



Electrically isolated. Potential assignment: $U_{N1} =$ slots 1,3,5 and $U_{N2} =$ slots 2,4,6.

Dimensioned drawing



Circuit diagram

