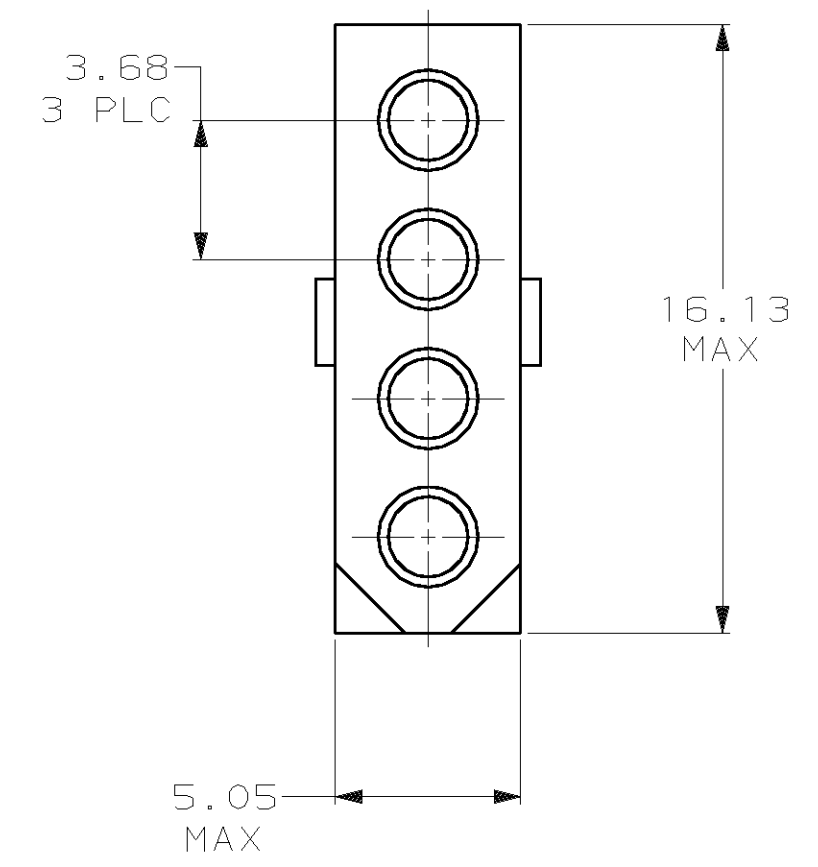
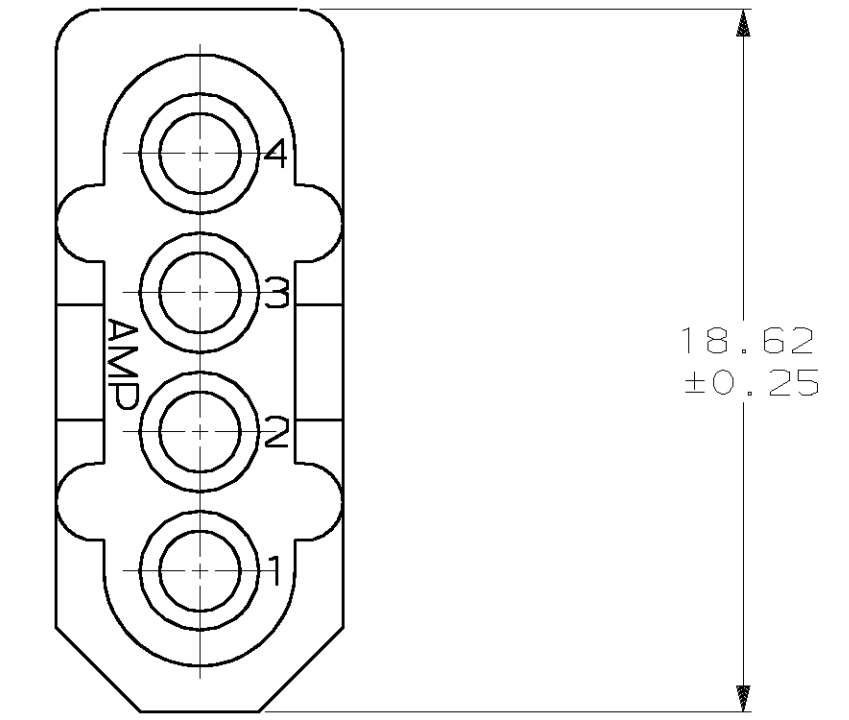
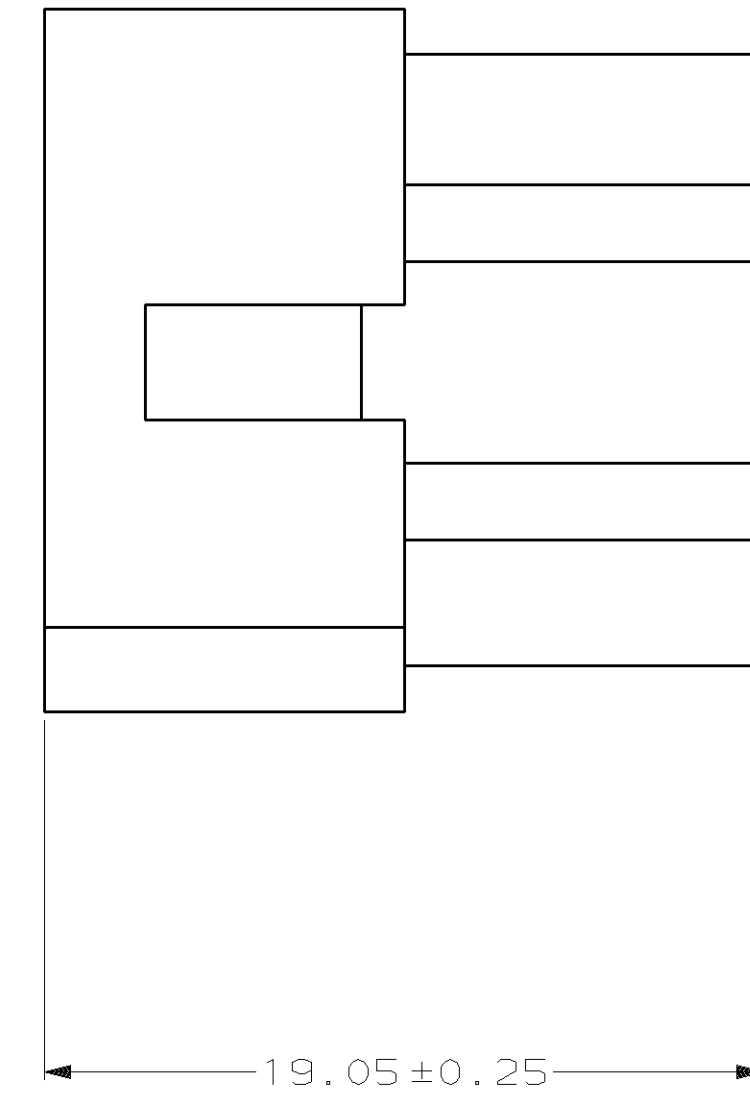
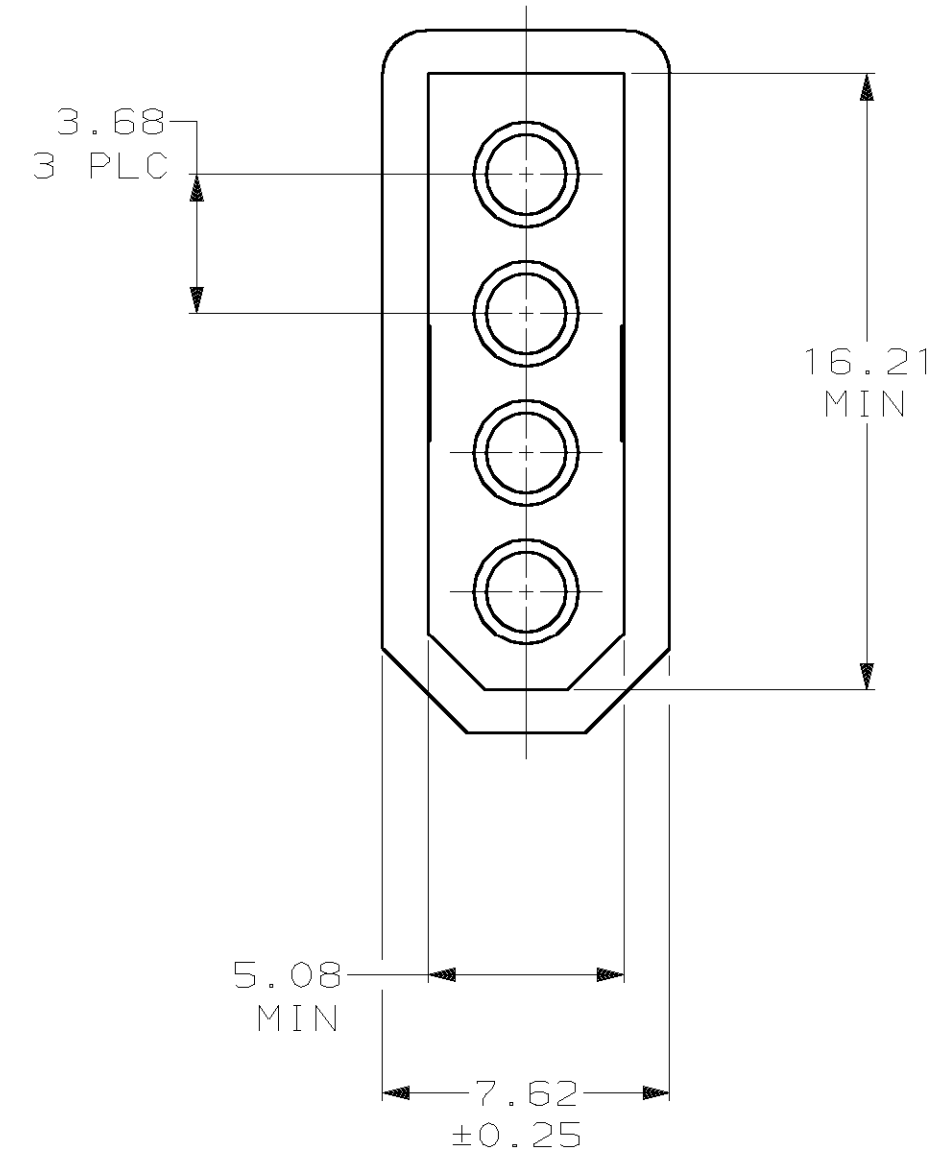
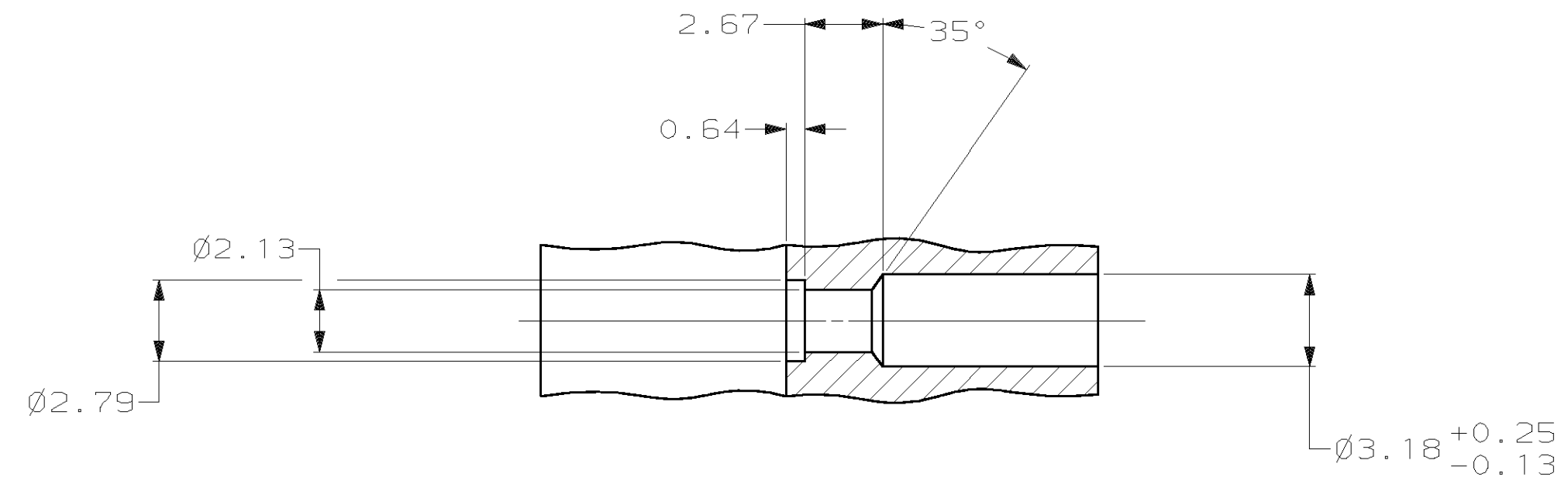


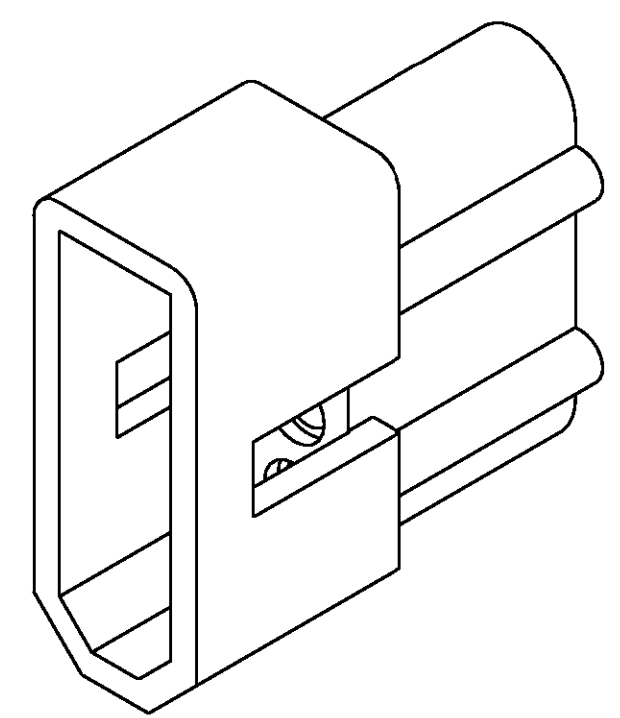
REVISIONS						
LOC	DIST	P	F	ZONE	LTR	DESCRIPTION
CM	53					D REVISED PER EC 063B-0297-00
						DATE: 19-JUN-00
						APPD: KW SR



MATING CONNECTOR INTERFACE



TYPICAL PLUG CAVITY SECTION (DIMENSIONS REFERENCE ONLY)



3-DIMENSIONAL MODEL NTS

MM	IN	MM	IN	MM	IN
2.67	.105	7.62	.300	-	-
2.13	.084	5.08	.200	-	-
1.57	.062	5.05	.199	19.05	.750
0.64	.025	3.68	.145	18.62	.733
0.25	.010	3.18	.125	16.21	.638
0.13	.005	2.79	.110	16.13	.635

CONVERSION TABLE

METRIC

THIS DRAWING IS A CONTROLLED DOCUMENT FOR AMP INCORPORATED. IT IS SUBJECT TO CHANGE AND THE CONTROLLING ENGINEERING ORGANIZATION SHOULD BE CONTACTED FOR THE LATEST REVISION.

DO NOT SCALE PRINT. UNLESS SPECIFIED DIMENSIONS IN mm [INCHES]		DR 11-4-93 K. WHITAKER		770275-1 PART NO	
TOLERANCES ON:		CHK 11-4-93 R. SWING		AMP Incorporated Harrisburg, PA 17105-3608	
2 PLC DEC ± 0.13		APPD 11-4-93 C. CASH		NAME	
3 PLC DEC ± -		APPD 11-4-93 C. CASH		PLUG, 4 CIRCUIT, .062 PIN AND SOCKET	
ANGLES ± 1°0'		PRODUCT SPEC -		DRAWING NO	
MATERIAL		NYLON, UL 94V-2 NATURAL		G-770275	
FINISH		-		CAGE CODE 00779	
APPLICATION SPEC		-		SCALE 5:1	
WEIGHT		-		SHEET 1 OF 1	