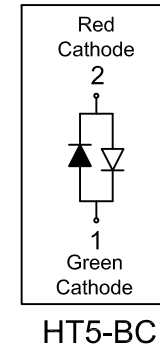
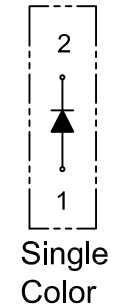
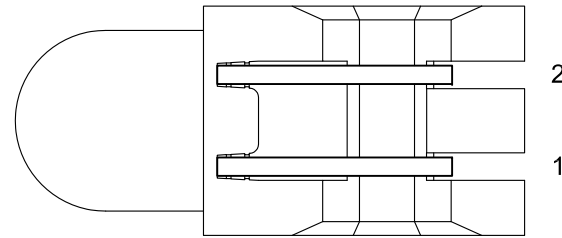
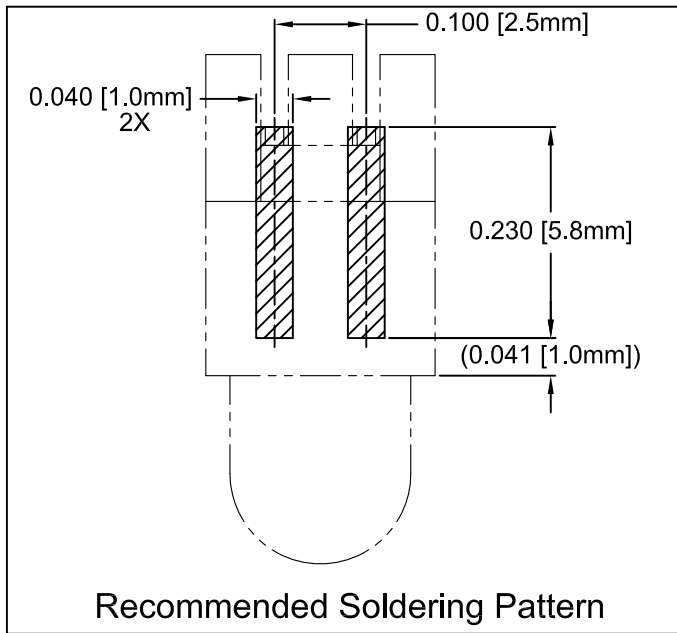
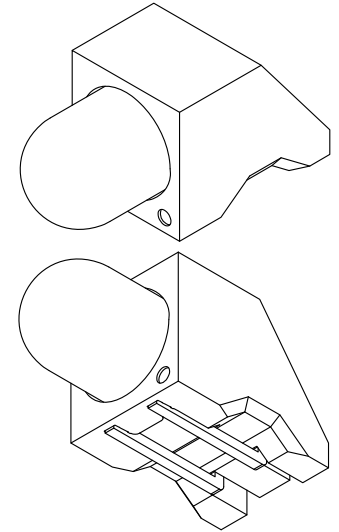
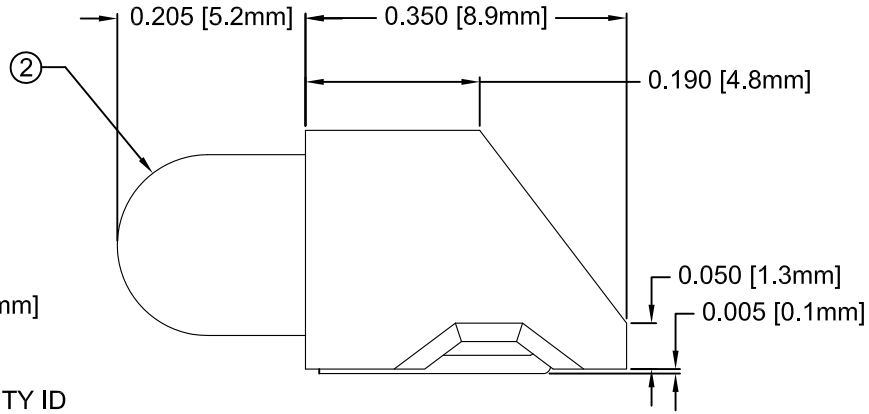
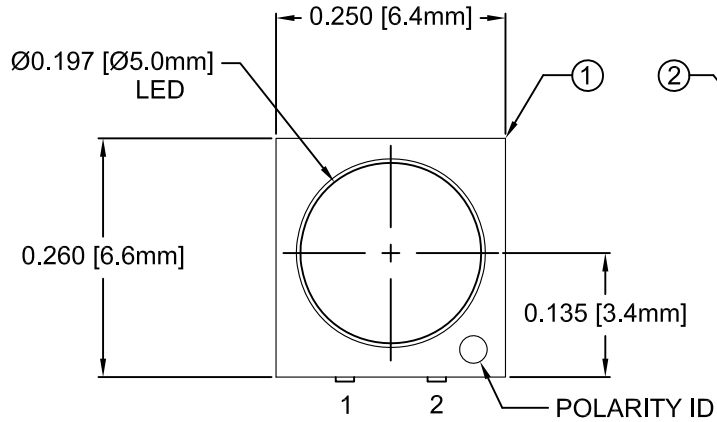


ITEM	Q'TY	PART NUMBER	PART DESCRIPTION
1	1	HT5	T1 3/4 (5mm) High Temperature Single Level Holder, 90° Mount
2	1	BDL-XXXX	T1 3/4 (5mm) N-Flange LED, See Page 2

REV.	DESCRIPTION	DATE	APPROVED
B	Engineering Release	04/19/11	T. Y.



## ABSOLUTE MAXIMUM RATINGS (Ta=25° C)

REVERSE VOLTAGE	5V
REVERSE CURRENT	100µA
OPERATING TEMPERATURE RANGE	-25° C - 85° C
STORAGE TEMPERATURE	-30° C - 100° C
LEAD SOLDERING TEMPERATURE(1/16" FROM BODY)	260° C FOR 5 SECONDS

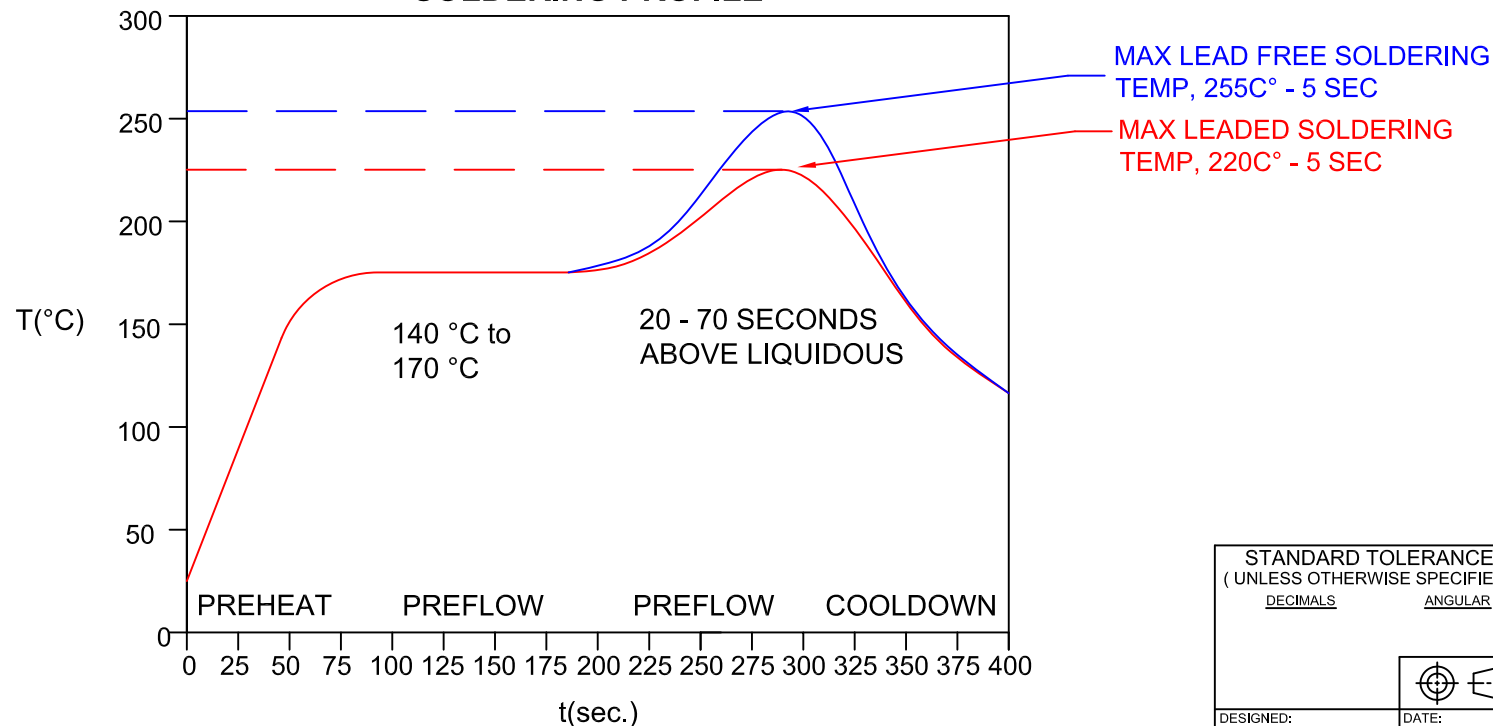
STANDARD TOLERANCE (UNLESS OTHERWISE SPECIFIED)		 <b>BIVAR</b> <sup>®</sup> 4 THOMAS, IRVINE, CA. 92618 TEL: (949) 951-8808 FAX: (949) 951-3974	TITLE: T1 3/4 (5mm) SMT 90° SURFACE MOUNT LED	
DECIMALS	ANGULAR		PART NO:	REVISION:
.X ±.1	X° ± 1°		HT5-XXX	B
.XX ±.02		CAGE CODE : 32559	SHEET # 1 OF 2	
.XXX ±.010		CAD GENERATED DOCUMENT, DO NOT MEASURE DRAWING.		
DESIGNED: Raffy Paje	DATE: 01/27/10			
CHECKED: T. Yin	DATE: 01/27/10			

REV.	DESCRIPTION	DATE	APPROVED
	SEE SHEET #1		

### AVAILABLE CONFIGURATIONS

Assy P/N	Emitted Color	Peak Wave Length $\lambda_p$ (nm)	Lens Appearance	Absolute Max. Ratings			Vf (V)		Iv (mcd)	Viewing Angle $2\theta_{1/2}$ (Deg)	LED P/N
				Pd (mW)	If (mA)	Peak If (mA)	TYP	MAX	TYP		
<b>STANDARD SINGLE COLOR LED ASSEMBLIES (20mA)</b>											
HT5-BLU	BLUE	430	DIFFUSED	150	25	70	4.0	4.5	15	45	BDL-1363
HT5-GRN	GREEN	568		80	30	150	2.1	2.8	25	45	BDL-1360
HT5-RED	HE RED	625		80	30	150	2.0	2.8	25	45	BDL-1361
HT5-YEL	YELLOW	590		85	30	150	2.0	2.8	25	45	BDL-1362
<b>STANDARD BI-COLOR LED ASSEMBLIES (20mA)</b>											
HT5-BC	RED	625	WHITE DIFFUSED	80	30	150	2.0	2.8	6	45	BDL-1359
	GREEN	568		80	30	150	2.1	2.8	8		

### CONVECTIVE REFLOW SOLDERING PROFILE



#### NOTES:

1. ADDITIONAL LED OPTICAL / ELECTRICAL DATA AVAILABLE @ WWW.BIVAR.COM.

STANDARD TOLERANCE (UNLESS OTHERWISE SPECIFIED) DECIMALS      ANGULAR		<b>BIVAR</b> <sup>®</sup> 4 THOMAS, IRVINE, CA. 92618 TEL: (949) 951-8808    FAX: (949) 951-3974	
		TITLE: T1 3/4 (5mm) SMT 90° SURFACE MOUNT LED	
DESIGNED: <b>Raffy Paje</b>	DATE: <b>01/27/10</b>	PART NO: <b>HT5-XXX</b>	REVISION: <b>B</b>
CHECKED: <b>T. Yin</b>	DATE: <b>01/27/10</b>	CAGE CODE : <b>32559</b>	SHEET # <b>2 OF 2</b>
CAD GENERATED DOCUMENT, DO NOT MEASURE DRAWING.			