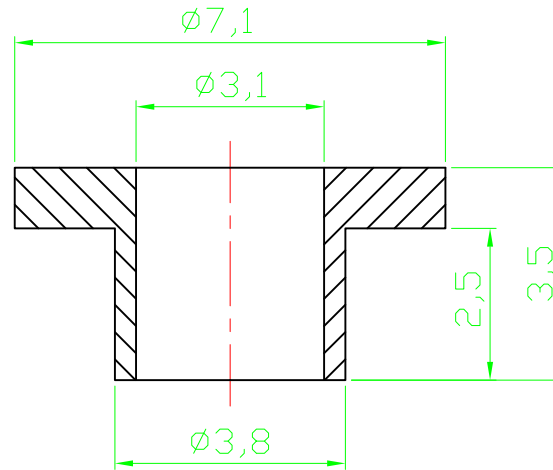


RoHS compliant



Notes
 Material:SR25
 Dielectric strength: 380kV/cm
 Heat resistance:215°C
 Tensile strength: 80N/mm

Scale	1:1					Date	Name	Customer-No.
TOLERANCE						Drawn	20.08.2009	Dean
X.	$\pm X$					Approved	10.03.2010	Andy
X.X	$\pm X$							
X.XX	$\pm X$							
DIM	TOL	②	Corrected drawing No.	10.03.2010	Dean			Drawing-No.
X.°	$\pm X^\circ$	①	Drawn	20.08.2009	Dean			ASSMANN WSW-No.
X.X°	$\pm X^\circ$							V5357
Angle	TOL	Id.	Modification	Date	Name	Replace		rev02
								Sheet