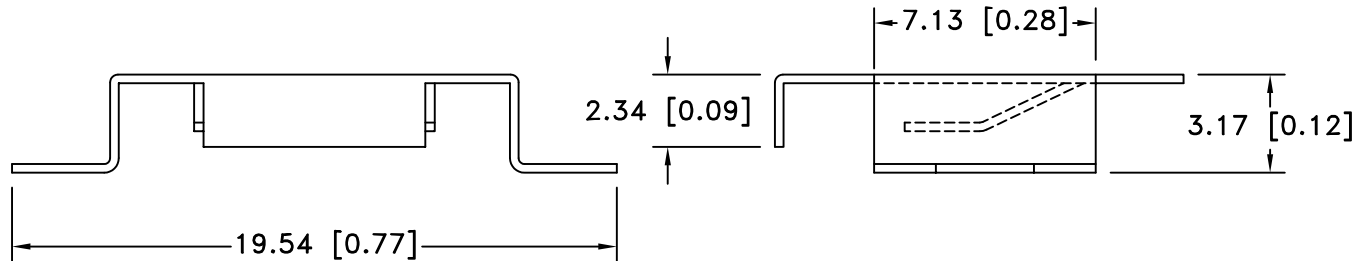
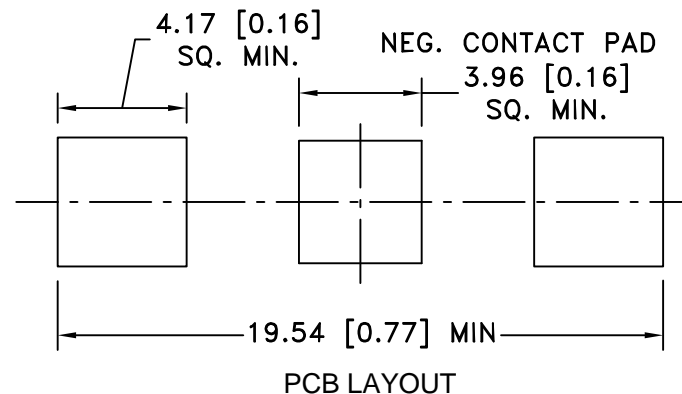
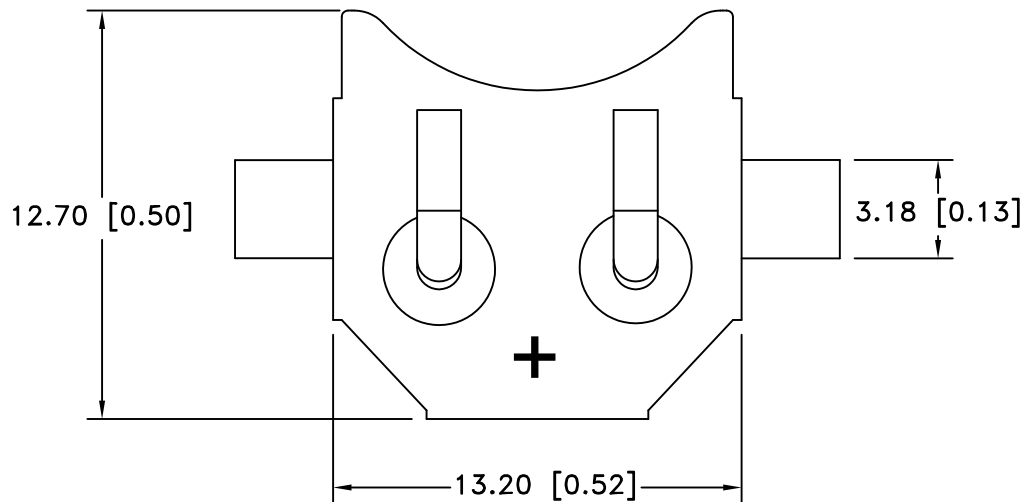



Date	SYM	REVISION RECORD	AUTH	DR.	CK.
10/22/05	A	ADDED "ROHS COMPLIANT"	T.B.	B.S.	
2/04/06	B	ADDED CHAMFERS	T.B.	B.S.	
10/10/08	C	UPDATED PCB LAYOUT	T.B.	B.S.	
7/09/09	D	12.70 WAS 13.20 REMOVED HOLES Ø1.19 FROM TABS	T.B.	B.S.	



NOTES:

- MATERIAL:  
0.25mm PHOSPHOR BRONZE, NICKLE PLTD.
- ROHS COMPLIANT

Tolerance (Except as noted)	 <b>Memory Protection Devices, Inc</b> 200 Broad Hollow Road, Farmingdale, New York 11735		
decimal		Scale	Drawn By B.S.
±.5 (.020)			Approved By T.B.
Fractional	Title		
± .8 (.030)	COIN CELL RETAINER FOR 12mm DIA. BATTERIES		
Angular	Date	Drawing Number	
± 3°	7/09/09	BK-885	

CELL SIZE	RETAINS BATTERY NUMBERS
12mm	BR1216. CR1216. BR1220. CI 1220. CR1220. BR1225