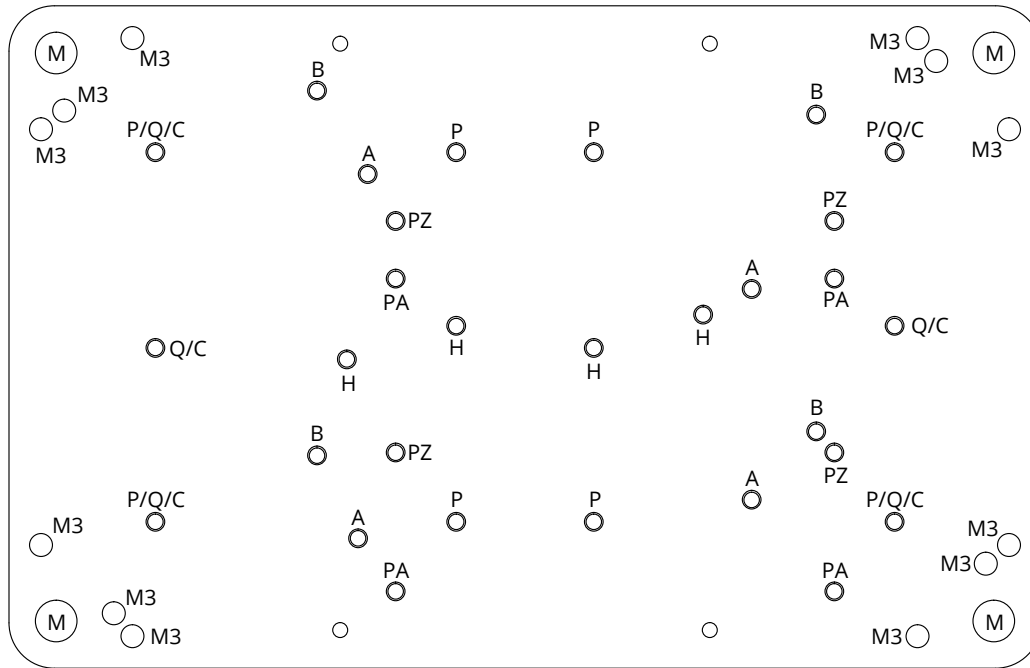


HOLE GUIDE AND MOUNTING TEMPLATE



1:1 scale drawing for use as template

M = 5.5 mm dia. mounting hole

- M5 or smaller screw
- #10 or smaller screw
- Drywall screw

P = Raspberry Pi mounting hole

- M2.5 standoff

PA = Raspberry Pi alternate mounting hole

- M2.5 standoff

PZ = Raspberry Pi Zero mounting hole

- M2.5 standoff

A = Arduino mounting hole

- M2.5 standoff

B = BeagleBone mounting hole

- M2.5 standoff

H = Heatsink mounting hole

- M2.5 set screw

C = Comet mounting holes

- M2.5 standoff

Q = Quasar mounting holes

- M2.5 standoff

M3 = M3 tapped hole

HARDWARE INCLUDED

M3 L35 TF x4



M3.5 L6 TF x4



M3 L5 x4



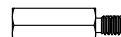
M2.5 L6 TF x4



M2.5 L5 x8



11 MM STANDOFF x4



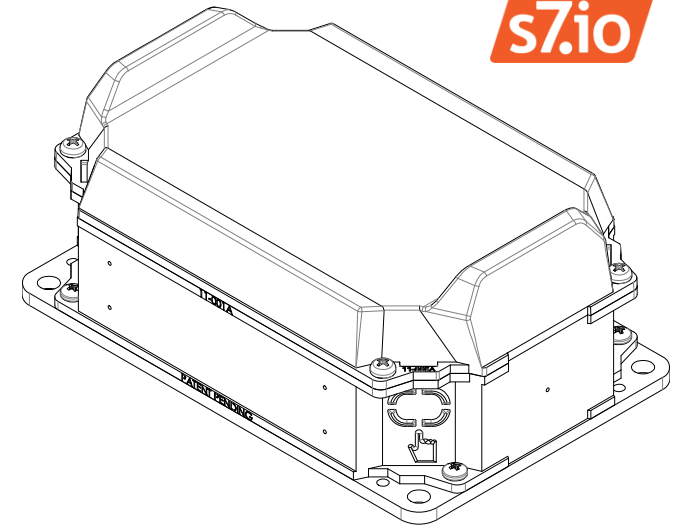
7 MM STANDOFF x4



STAR WASHER x16



RUBICON QUICKSTART GUIDE



Congratulations on your purchase of the Rubicon Starter Kit! Use this quick start guide to get up and running as fast as possible.

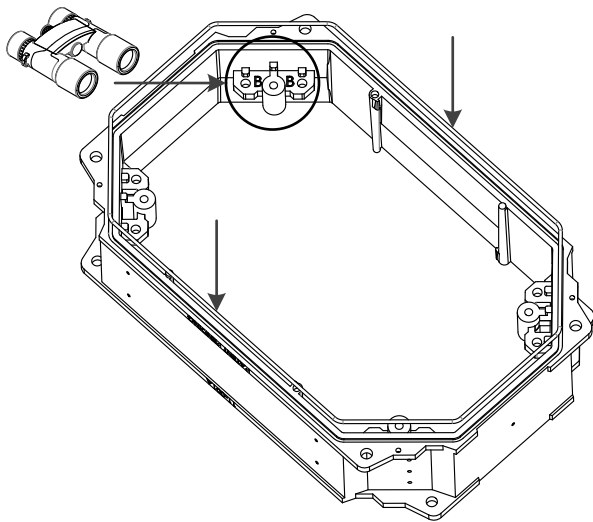
Go to s7.io/build for assembly videos. Spare or replacement parts are available at shop.s7.io

Starter Kit Contents:

- 1 x Shell (11-001A)
- 2 x Cover (11-004A)
- 1 x Base plate (12-001A-N)
- 1 x Gasket Kit (87-001A)
- 1 x Stacking Screws Kit (18-006A-K4)
- 1 x Board Stacking Standoff Kit (87-012A-116B)
- 1 x Board Mounting Standoff Kit (87-012A-072B)
- 1 x Rubicon Shell Screw Pack (87-003A)

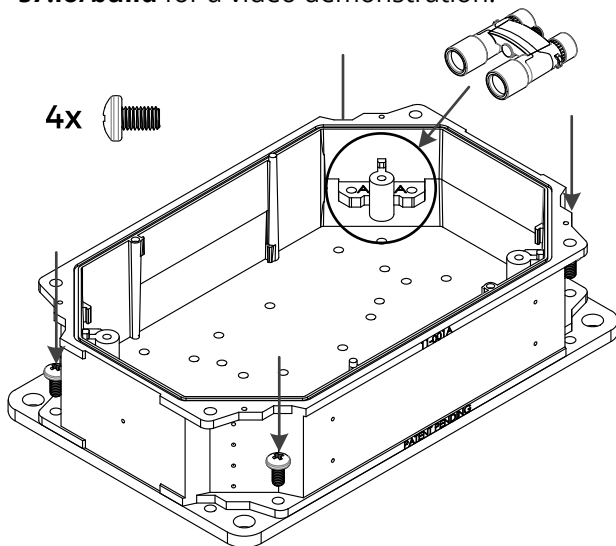
GENERAL ASSEMBLY INSTRUCTIONS

Go to s7.io/build for video instructions

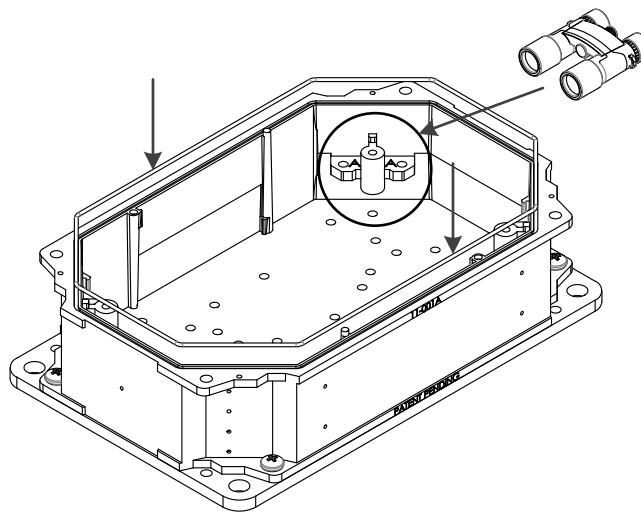


1. (Optional for IP67) There are two different sized gaskets in the Gasket Kit. Place the large gasket into the groove on the shell with **side B** facing towards you.

2. If using a SBC (Raspberry Pi, etc.), mount to appropriate **7 mm standoffs** with **M2.5 L5** screws or shell mounting bosses with **M2.5 L6 TF** screws. See **Hole Guide** for locations. Go to s7.io/build for a video demonstration.

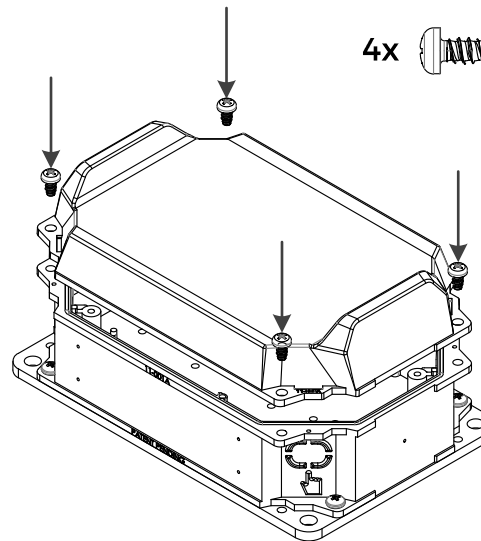


3. Place the shell on the base plate with **side A** facing towards you. Screw in 4 **M3 L5** screws from the Rubicon Shell Screw Pack.



4. (Optional for IP67) Place the small gasket into the groove on the shell with **side A** facing towards you.

5. Before putting the cover on, if using a stacked board, mount it now with **11 mm standoffs** and **M2.5 L5** screws or shell mounting bosses with **M2.5 L6 TF** screws.

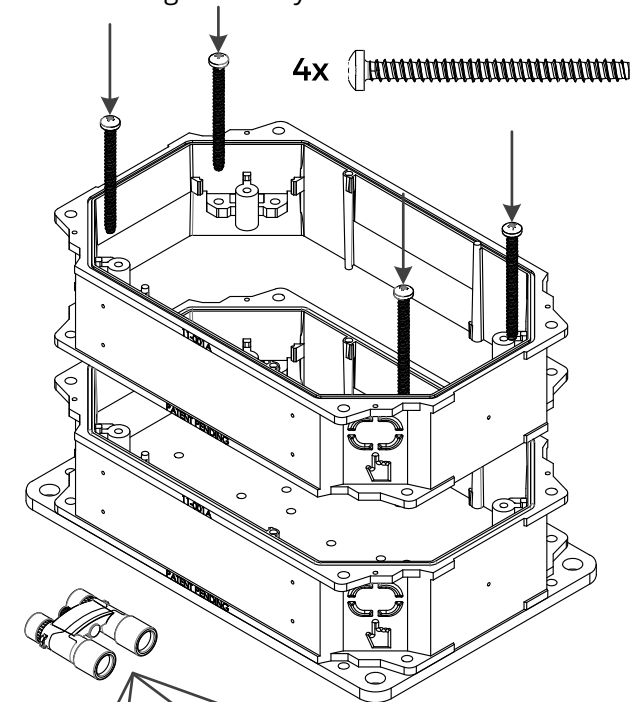


6. Place the cover on top. Screw in 4 **M3.5 L6 TF** screws from the Rubicon Shell Screw Pack. Skip this step if stacking an additional shell.

STACKING ASSEMBLY INSTRUCTIONS

1. Complete steps 1 through 5 of **General Assembly Instructions**.

2. (Optional for IP67) Place the small gasket into the groove on the shell to be stacked with **side A** facing towards you.



3. Place the stacking shell on top of the other shell, making sure **both shells** have **side A** facing the same direction. Screw in 4 **M3 L35 TF** screws where indicated.

4. Perform step 6 of **General Assembly Instructions** to attach the cover.