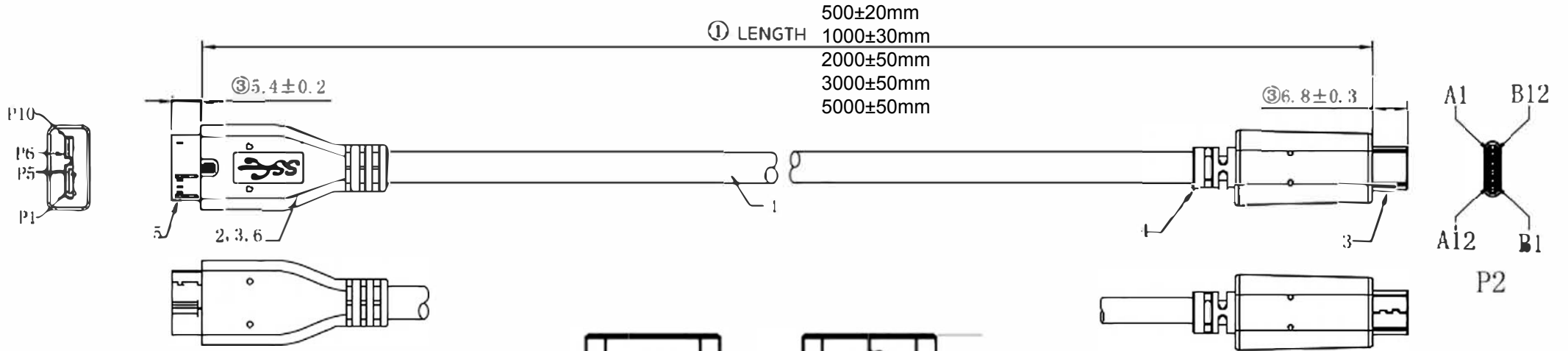


REV.	Change NO.	Change Description	Date	Approved
A0		NEW	2015.08.12	

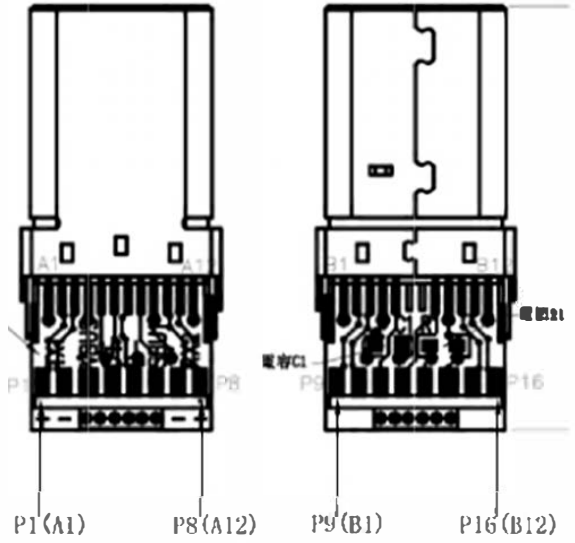


Micro USB3.0 B/M MOLDIN TYPE
OUTER MOLD NO. :HJ-CT-217

USB TYPE C/M MOLDING TYPE
OUTER MOLD NO. :HJ-CT-422

PIN OUT

P1		P2	
1	RED	3	
2	GREEN	5	
3	WHITE	4	
5	BLACK	GND	
6	BLUE	15	} Brown Foil
7	WHITE	16	
8	DRAIN	GND	
9	BLUE	1	} Purple Foil
10	WHITE	2	
SHELL	D+B	SHELL	



CnC Tech PART NUMBER:
 105-1092-BL-00050
 105-1092-BL-00100
 105-1092-BL-00200
 105-1092-BL-00300
 105-1092-BL-00500

5	TIE	L=60mm	1	PC	ITEM NO.	105-1092-BL-00XXX	Customer	/			
4	MOLDING	15P PVC BK-01	14	g	DESCRIPTION	TYPE-C MALE to USB 3.0 MICRO B MALE	REV.	A0			
3	USB3.0 Micro	USB3.0 Micro B/M 10P	1	PCS	MATERIAL NO.		PAGE	1 OF 1			
2	USB Type C	USB Type C/M	1	SET	CnC Tech, LLC			UNIT	mm		
1	CABLE	(7/0.12TS+PEF1D0.90*2C+D7/0.12TS+AL+W)*2P+(7/0.12TS+HDPE1D0.7*1P)+(7/0.20TS+PVC1D1.05*2C)+(PVC 3800DX2)+AL+D7/0.12BS+9*mm/0.12ALMG+PVC 0D5.5mm BK	1	PCS				SCALE	NONE	DRAWN	
NO.	Name	Specifications	QTY	UNIT				PROJECTION	☺	DATE	2015.08.12