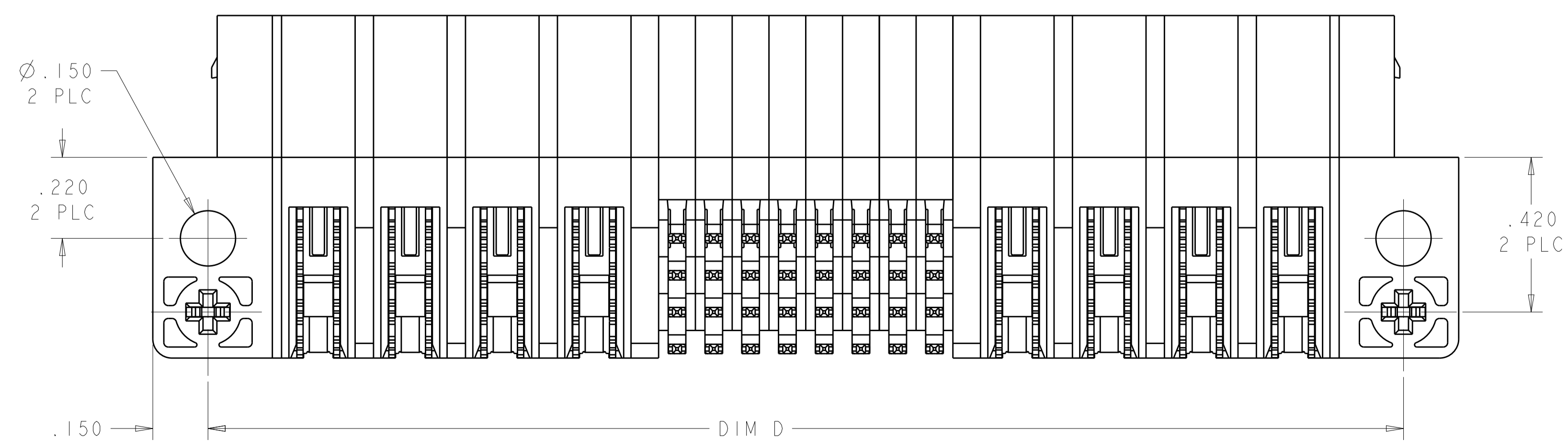
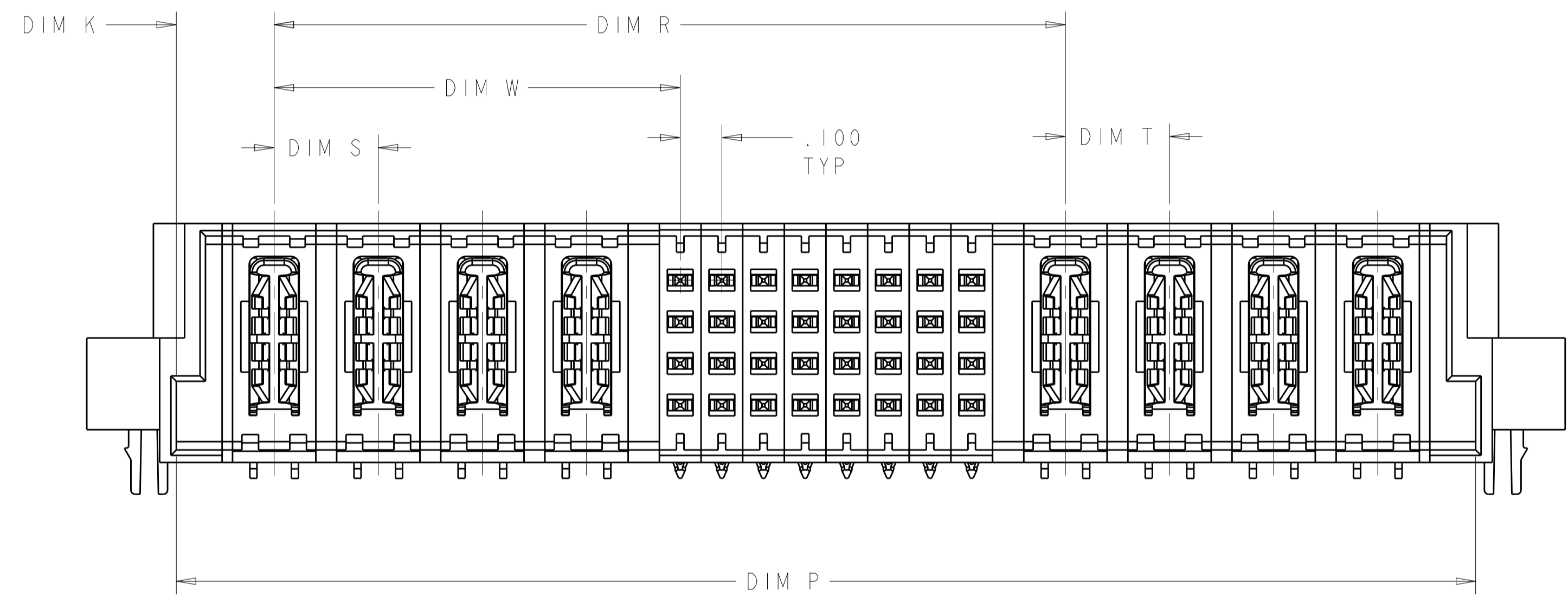
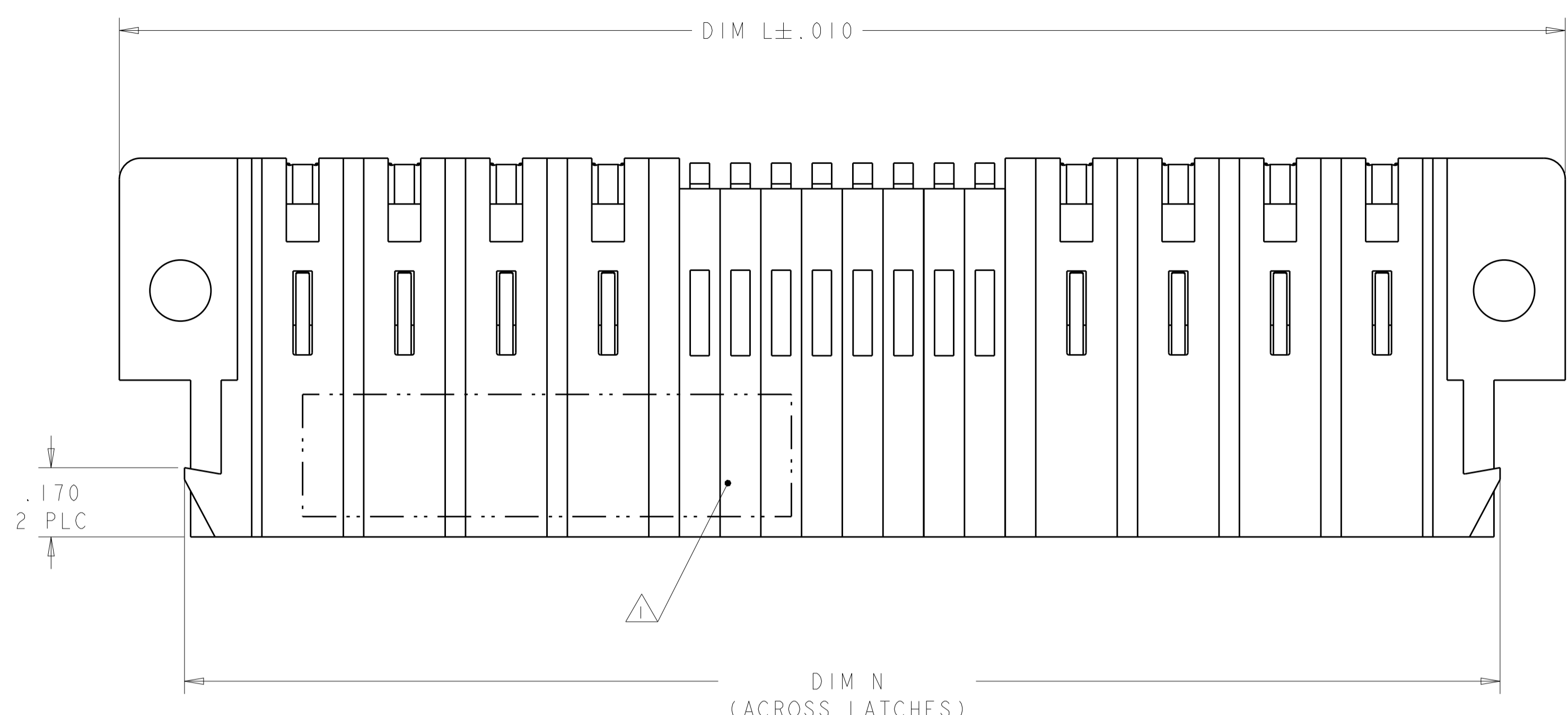
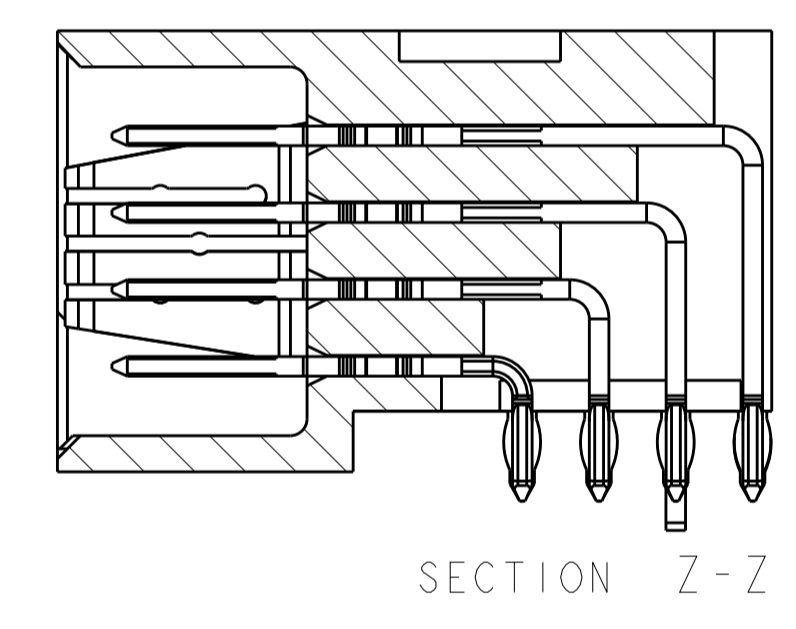
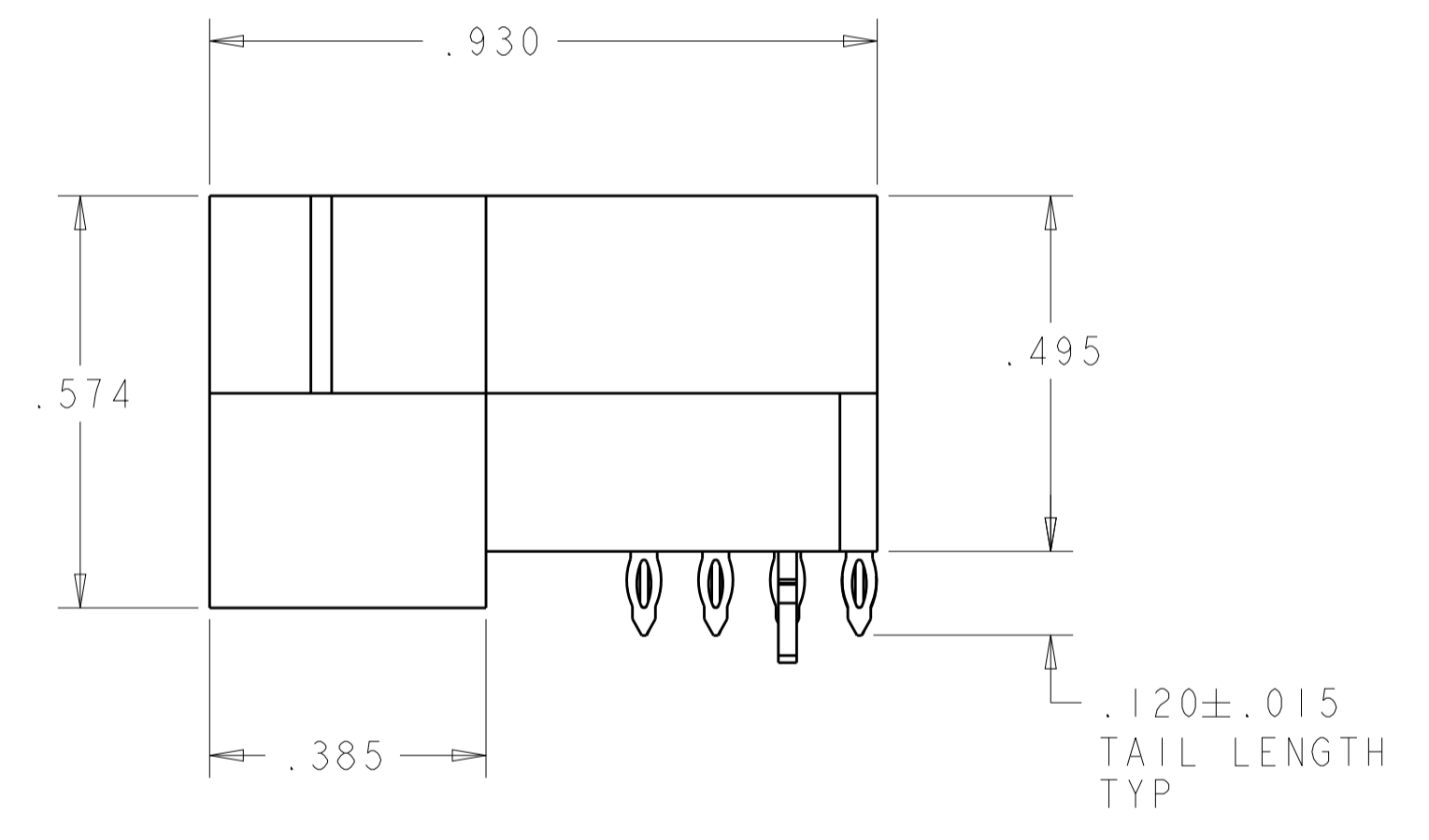


LOC	DIST	REVISIONS					
		P	LTN	DESCRIPTION	DATE	DWN	APVD
ES	00	A7		ADDED NEW DASH NUMBER -8	26JUL2012	CZ	SZ
		A8		REVISED FOR -8	03AUG2012	CZ	SZ



- 1 "AMP" PART NUMBER AND DATE CODE TO BE MARKED IN AREA SHOWN. PARTS UNDER 2.00 INCHES LONG MAY BE MARKED ON BOTH SIDES.
- 2 MATERIAL: HOUSING - GLASS FILLED HIGH TEMP THERMO PLASTIC, UL 94 V-0
SIGNAL CONTACT - COPPER ALLOY
POWER CONTACT - HIGH CONDUCTIVITY COPPER ALLOY.
- 3 CONTACT PLATING: NOBLE METAL PLATING ON CONTACT FUNCTIONAL AREA OF POWER AND SIGNAL CONTACTS
- 4 MECHANICAL CONNECTOR KEEP OUT ZONE. WHEN PLACING CONNECTORS END-TO-END, ALLOW ADDITIONAL 0.1 CLEARANCE BETWEEN CONNECTORS FOR LATCH ACTIVATION.
- 5 DATUM AND BASIC DIMENSIONS ESTABLISHED BY CUSTOMER.
- 6 PCB - ALL HOLE DIAMETERS ARE FINISHED HOLE SIZES.
- 7 PCB - .0453±.0010 DRILLED HOLES PLATED WITH .0003 MIN Sn OVER .001 TO .003 Cu PLATING TO ACHIEVE A .040 DIA HOLE.
- 8 FOR CONFIGURATION "S" DIMENSIONS PLEASE REFER TO SHEET 2.



A7	1.400	-	.300	1.270	1.380	-	.850	1.700	.235	3ACP + 4S	6450528-8
	1.975	-	-	1.845	1.955	-	-	2.275	.185	64S	6450528-7
	2.750	-	.300	2.620	2.730	-	2.050	3.050	.260	7ACP + 8S	6450528-6
	3.100	.300	.300	2.970	3.080	1.800	.850	3.400	.285	3ACP + 32S + 3ACP	6450528-5
	1.050	-	-	.920	1.030	.450	.225	1.350	.235	1P + 4S + 1P	6450528-4
	3.350	-	.300	3.220	3.330	-	2.300	3.650	.260	8ACP + 24S	6450528-3
	3.250	.250	.250	3.120	3.230	1.900	.975	3.550	.235	4P + 32S + 4P	6450528-1
	DIM D	DIM T	DIM S	DIM P	DIM N	DIM R	DIM W	DIM L	DIM K	DESCRIPTION	PART NUMBER

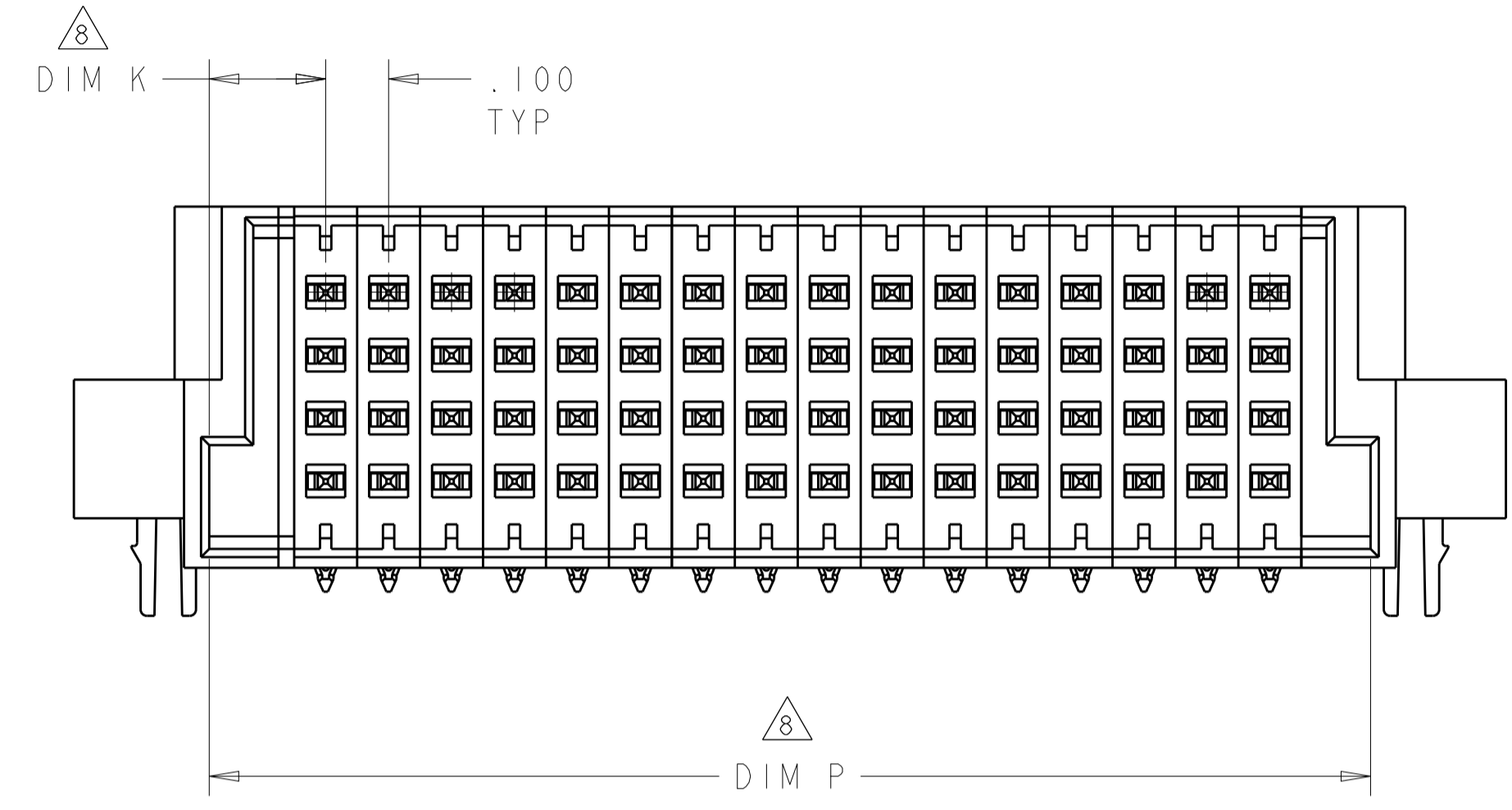
THIS DRAWING IS A CONTROLLED DOCUMENT. DIMENSIONS: INCHES. TOLERANCES UNLESS OTHERWISE SPECIFIED: 0 PLC ±.01, 1 PLC ±.01, 2 PLC ±.01, 3 PLC ±.005, 4 PLC ±.002, ANGLES ±.020. MATERIAL: 2. FINISH: 3. CUSTOMER DRAWING. SCALE: 4:1. SHEET 1 OF 7. REV B.

DATE: 25JUL2006. DWN: CECILY.ZHOU. CHK: S.ZHAO. APVD: S.ZHAO. NAME: S.ZHAO. PRODUCT SPEC: 108-1973. APPLICATION SPEC: 114-13038. WEIGHT: -. SIZE: A100779. CAGE CODE: 6450528. DRAWING NO: 6450528.


STE TE Connectivity
RIGHT ANGLE HEADER ASSEMBLY W/END LATCHES MULTI-BEAM XL

THIS DRAWING IS UNPUBLISHED. RELEASED FOR PUBLICATION 20
COPYRIGHT 20 . ALL RIGHTS RESERVED.

LOC		DIST		REVISIONS			
ES	00	P	LTH	DESCRIPTION	DATE	DMN	APVD
		-		SEE SHEET 1	-	-	-



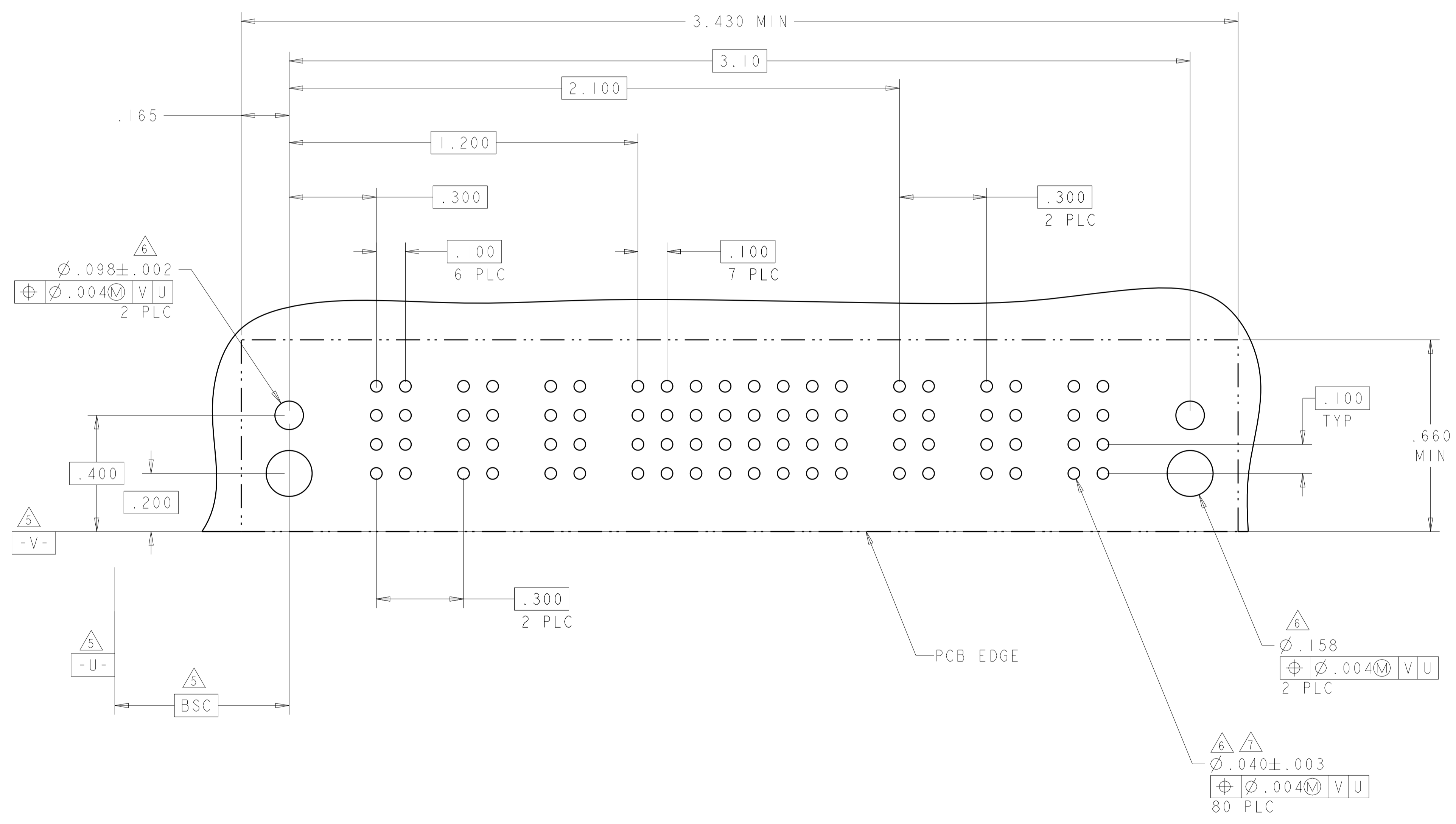
FOR CONFIGURATION "S", OTHER DIMENSIONS PLEASE REFER TO SHEET 1

THIS DRAWING IS A CONTROLLED DOCUMENT.		DMN G. CECILY, ZHOU 25JUL2006	 TE Connectivity
DIMENSIONS: INCHES		CHK S. ZHAO 25JUL2006	
TOLERANCES UNLESS OTHERWISE SPECIFIED:		APVD S. ZHAO 25JUL2006	NAME RIGHT ANGLE HEADER ASSEMBLY W/END LATCHES MULTI-BEAM XL
0 PLC ±. 1 PLC ±. 2 PLC ±.01 3 PLC ±.005 4 PLC ±.0020 ANGLES ±.7°		PRODUCT SPEC 108-1973	SIZE A100779
MATERIAL -		APPLICATION SPEC 114-13038	CAGE CODE DRAWING NO C=6450528
FINISH -		WEIGHT -	RESTRICTED TO -
CUSTOMER DRAWING		SCALE 4:1	SHEET 2 OF 7
		REV B	

LOC	DIST	REVISIONS					
		P	LTN	DESCRIPTION	DATE	DMN	APVD
ES	00	-	-	SEE SHEET 1	-	-	-

PART NUMBER	ROWS	POWER			SIGNAL								POWER		
		P1	P2	P3	1	2	3	4	5	6	7	8	P4	P5	P6
6450528-5	D				Z5	Z5	Z5	Z5	Z5	Z5	Z5	Z5			
	C				Y5	Y5	Y5	Y5	Y5	Y5	Y5	Y5	PT	PT	PT
	B				R5	R5	R5	R5	R5	R5	R5	R5			
	A	HD			O5	O5	O5	O5	O5	O5	O5	O5			HD

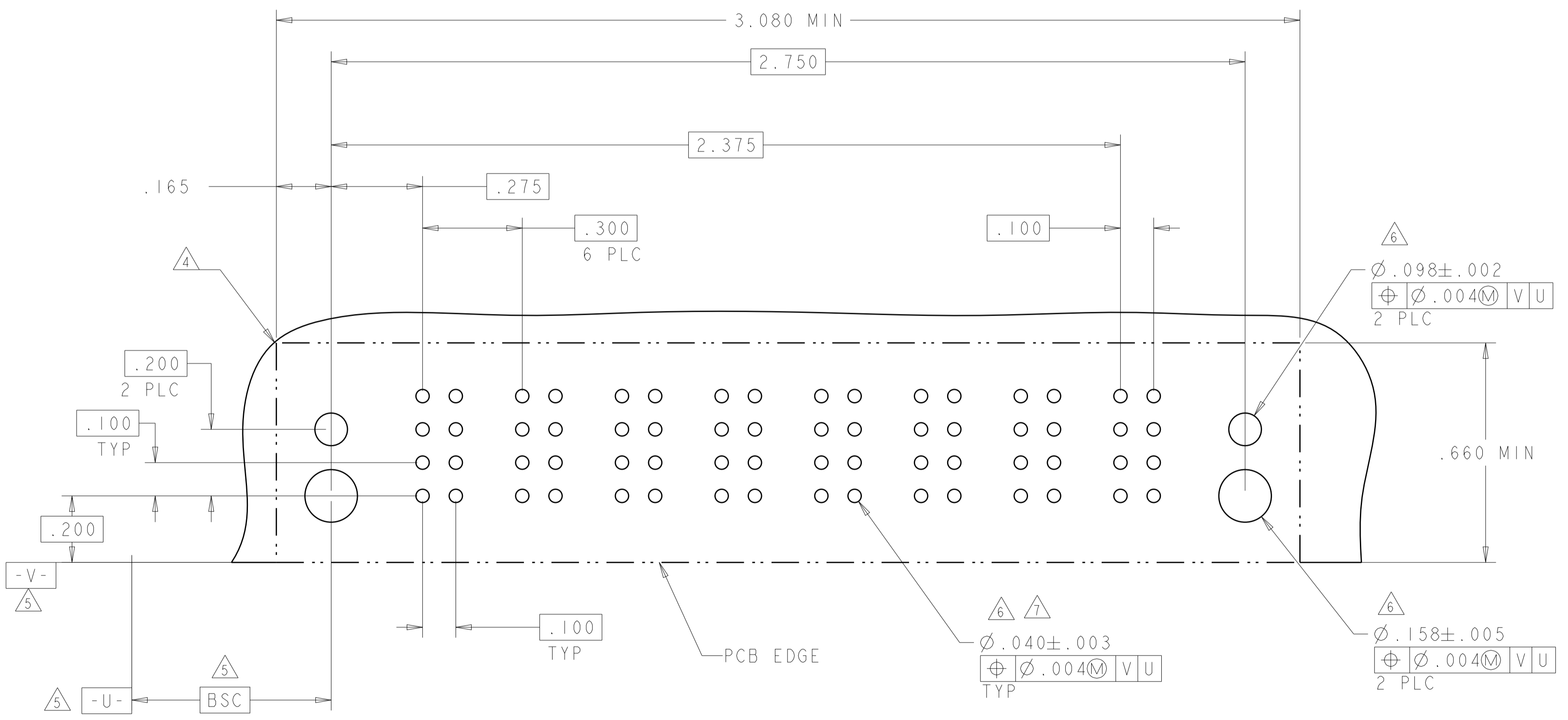
3ACP + 32S + 3ACP



THIS DRAWING IS A CONTROLLED DOCUMENT.		DMN: CECILY.ZHOU 25JUL2006	TE Connectivity
DIMENSIONS: INCHES		CHK: S.ZHAO 25JUL2006	
TOLERANCES UNLESS OTHERWISE SPECIFIED: 0 PLC ±. 1 PLC ±.01 2 PLC ±.01 3 PLC ±.005 4 PLC ±.0020 ANGLES ±.2°		APVD: S.ZHAO 25JUL2006	NAME: RIGHT ANGLE HEADER ASSEMBLY W/END LATCHES MULTI-BEAM XL
MATERIAL: -		PRODUCT SPEC: 108-1973	SIZE: A1
FINISH: -		APPLICATION SPEC: 114-13038	CAGE CODE: 6450528
		WEIGHT: -	RESTRICTED TO: -
		CUSTOMER DRAWING	SCALE: 4:1 SHEET 5 OF 7 REV B

LOC	DIST	REVISIONS					
		P	LTN	DESCRIPTION	DATE	DMN	APVD
ES	00	-	-	SEE SHEET 1	-	-	-

PART NUMBER	ROWS	POWER							SIGNAL		HD
		P1	P2	P3	P4	P5	P6	P7	1	2	
6450528-6	D	HD	PT	PT	PT	PT	PT	PT	Z5	Z5	HD
	C								Y5	Y5	
	B								R5	R5	
	A								O5	O5	
7ACP + 8S											

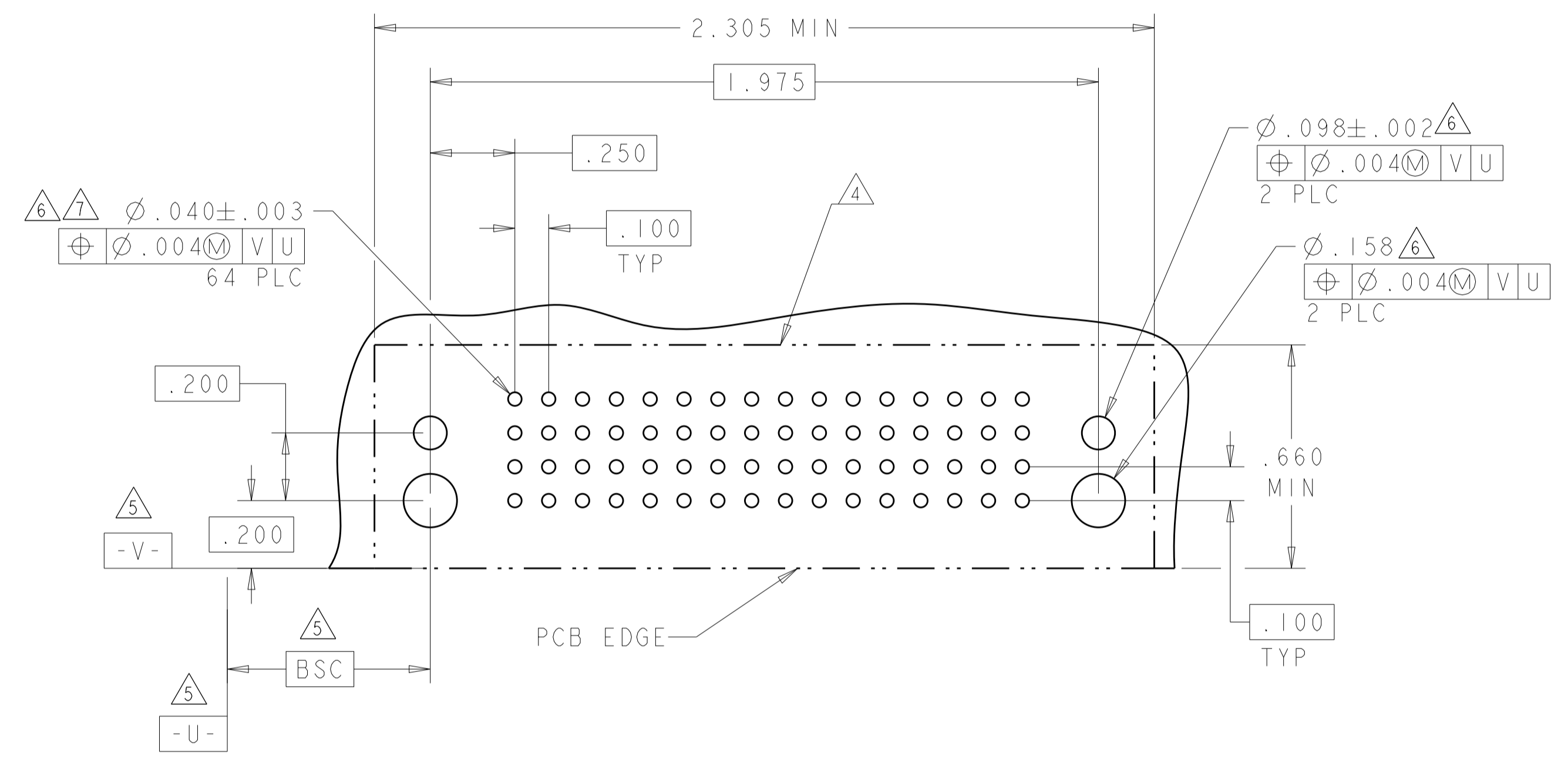


THIS DRAWING IS A CONTROLLED DOCUMENT.		DMN: CECILY.ZHOU 25JUL2006	 TE Connectivity
DIMENSIONS: INCHES		CHK: S.ZHAO 25JUL2006	
TOLERANCES UNLESS OTHERWISE SPECIFIED: 0 PLC ±. 1 PLC ±.01 2 PLC ±.01 3 PLC ±.005 4 PLC ±.0020 ANGLES ±.2°		APVD: S.ZHAO 25JUL2006	NAME: RIGHT ANGLE HEADER ASSEMBLY W/END LATCHES MULTI-BEAM XL
MATERIAL: -		FINISH: -	RESTRICTED TO: -
CUSTOMER DRAWING		SCALE: 4:1	SHEET 6 OF 7 REV B

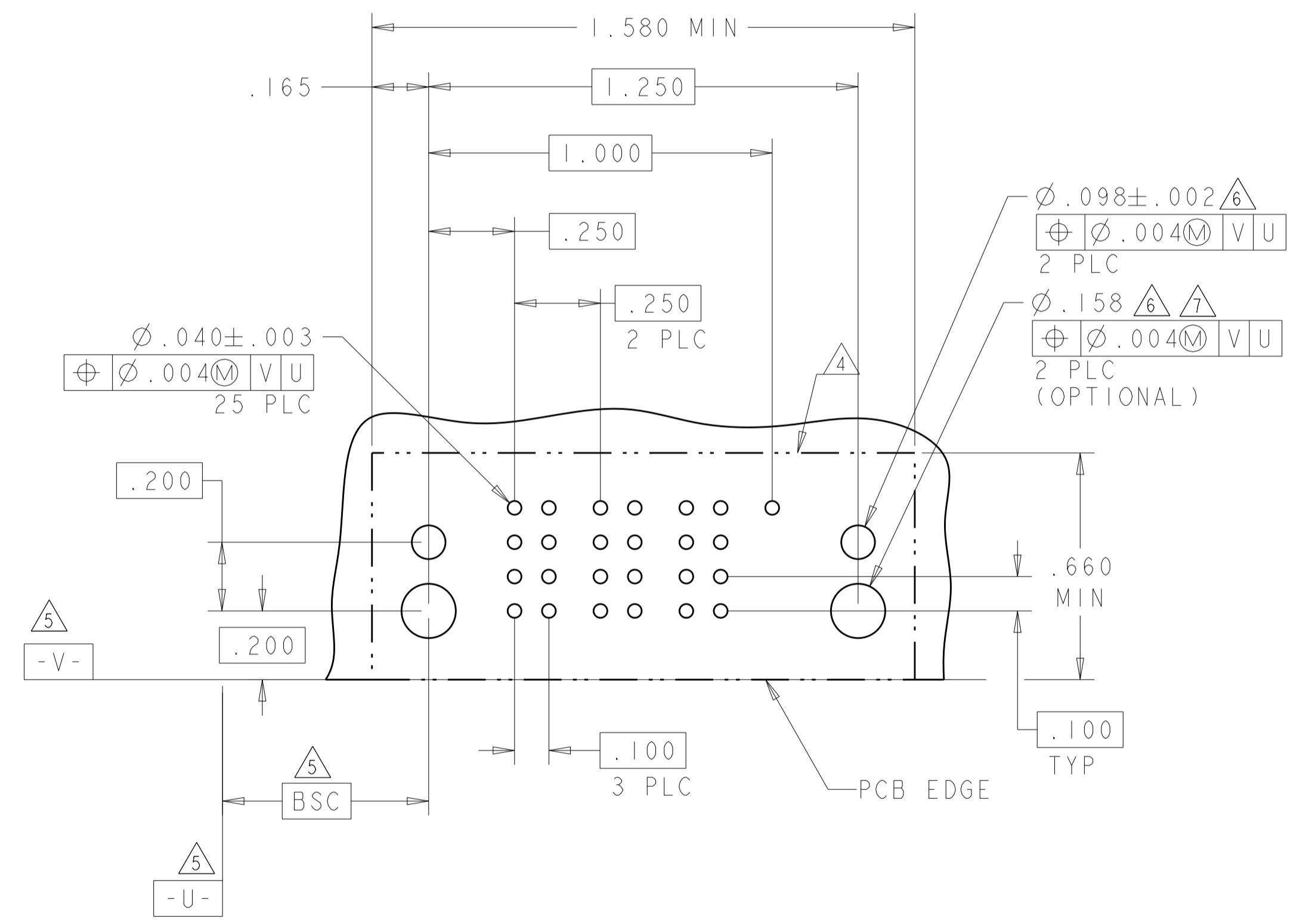
LOC	DIST	REVISIONS					
ES	00	P	LTN	DESCRIPTION	DATE	OWN	APVD
		-		SEE SHEET 1			

PART NUMBER	ROWS	SIGNAL														POWER				
		1	2	3	4	5	6	7	8	9	10	11	12	13	14	15	16	P5	P6	P7
6450528-7	D C B A	Z5	Z5	Z5	Z5	Z5	Z5	Z5	Z5	Z5	Z5	Z5	Z5	Z5	Z5	Z5				
		Y5	Y5	Y5	Y5	Y5	Y5	Y5	Y5	Y5	Y5	Y5	Y5	Y5	Y5	Y5				
		R5	R5	R5	R5	R5	R5	R5	R5	R5	R5	R5	R5	R5	R5	R5				
64S		05	05	05	05	05	05	05	05	05	05	05	05	05	05					

PART NUMBER	ROWS	POWER			SIGNAL
		P1	P2	P3	I
6450528-8	D C B A				Z5
		PT	PT	PT	
3P + 4S					



NO CONTACTS LOADED



THIS DRAWING IS A CONTROLLED DOCUMENT.		OWN: GECILY, ZHOU 25JUL2006	TE Connectivity												
DIMENSIONS: INCHES		CHK: S. ZHAO 25JUL2006													
TOLERANCES UNLESS OTHERWISE SPECIFIED:		APVD: S. ZHAO 25JUL2006	NAME: RIGHT ANGLE HEADER ASSEMBLY W/END LATCHES MULTI-BEAM XL												
<table border="1"> <tr><td>0 PLC</td><td>±</td></tr> <tr><td>1 PLC</td><td>±.01</td></tr> <tr><td>2 PLC</td><td>±.01</td></tr> <tr><td>3 PLC</td><td>±.005</td></tr> <tr><td>4 PLC</td><td>±.0020</td></tr> <tr><td>ANGLES</td><td>±.2°</td></tr> </table>		0 PLC	±	1 PLC	±.01	2 PLC	±.01	3 PLC	±.005	4 PLC	±.0020	ANGLES	±.2°	PRODUCT SPEC: 108-1973	RESTRICTED TO: -
0 PLC	±														
1 PLC	±.01														
2 PLC	±.01														
3 PLC	±.005														
4 PLC	±.0020														
ANGLES	±.2°														
MATERIAL: -		APPLICATION SPEC: 114-13038	SIZE: A100779												
FINISH: -		WEIGHT: -	CAGE CODE: 6450528												
CUSTOMER DRAWING		SCALE: 4:1	SHEET 7 OF 7 REV B												