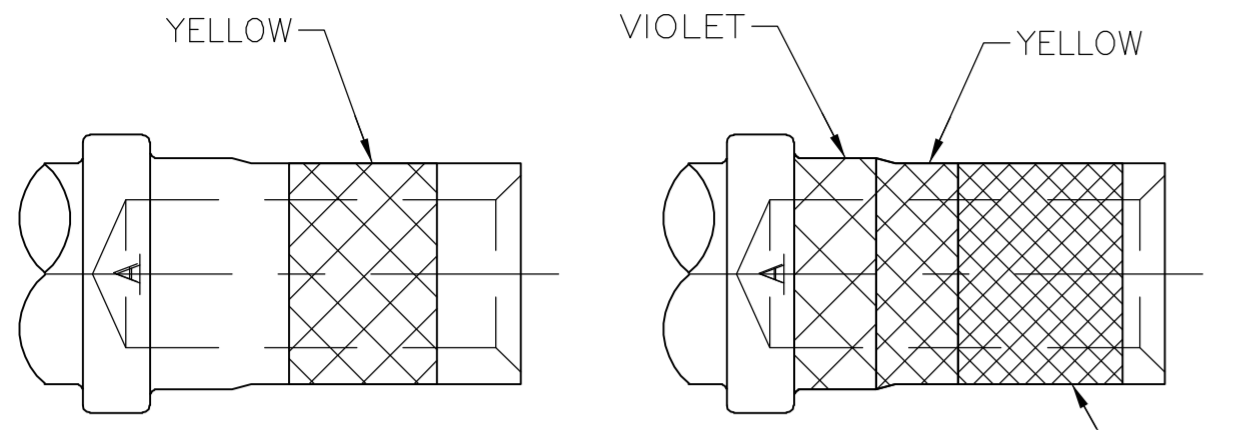


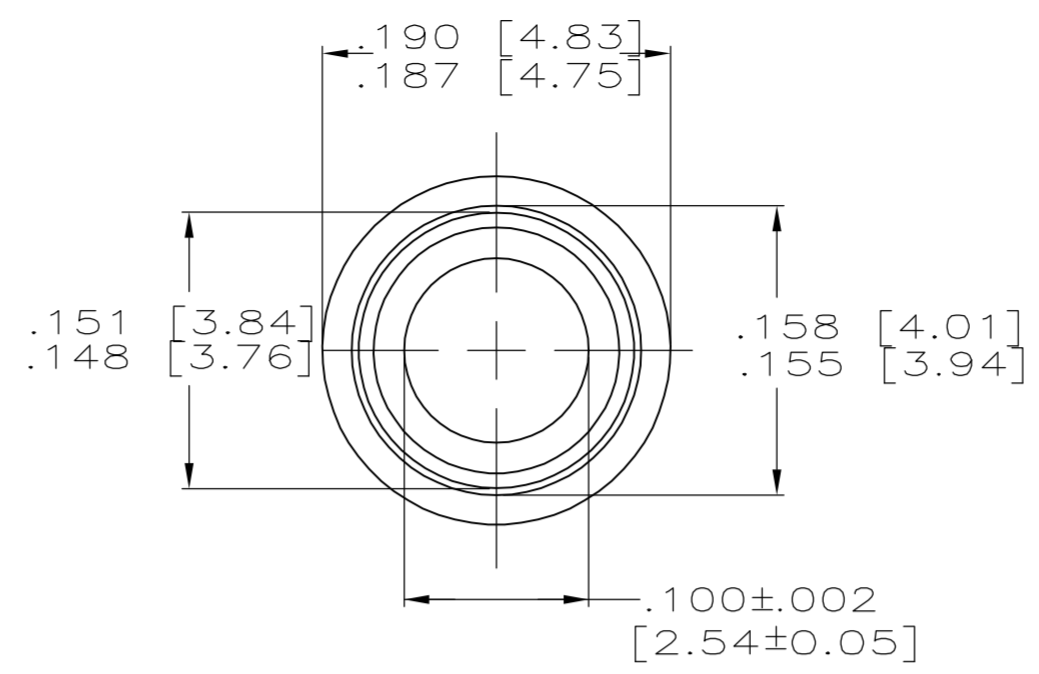
THIS DRAWING IS UNPUBLISHED. RELEASED FOR PUBLICATION
 © COPYRIGHT BY TYCO ELECTRONICS CORPORATION. ALL RIGHTS RESERVED.

LOC	DIST	REVISIONS					
DF	A0	P	LTR	DESCRIPTION	DATE	DWN	APVD
		P		REV PER EC 0H14-0154-04	24JAN06	TK	CT

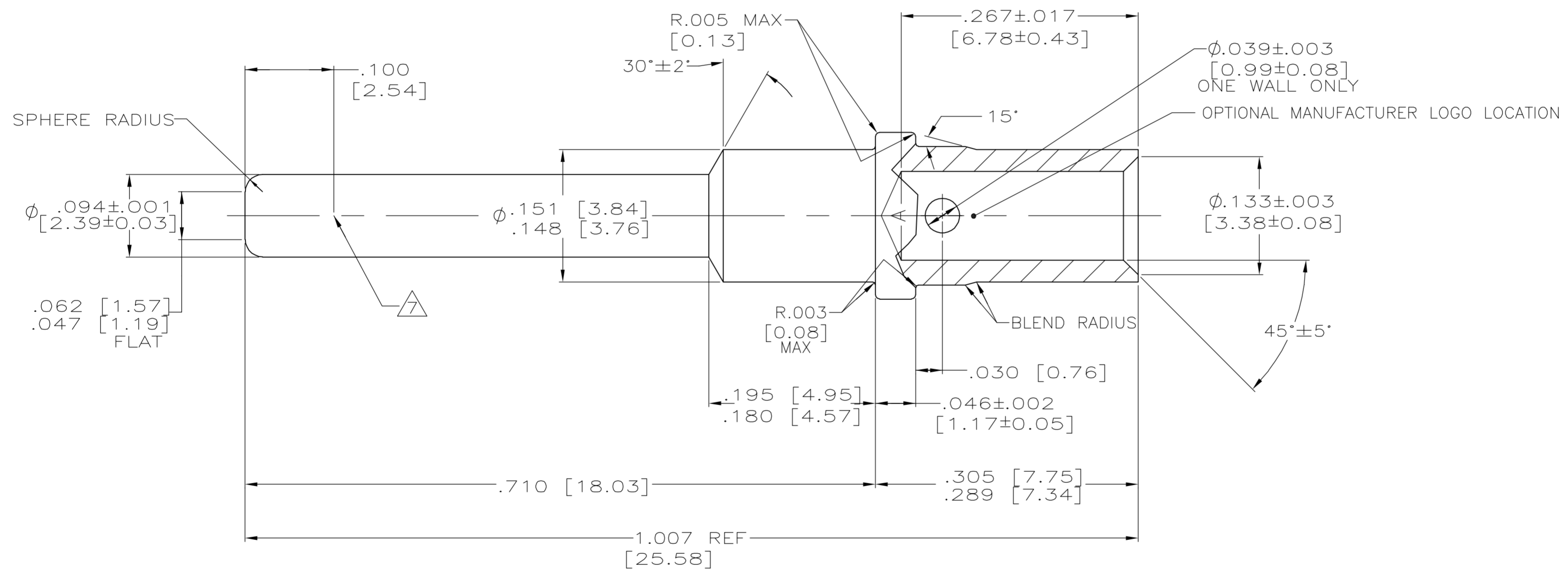


DETAIL B
-5 ONLY
SCALE 8:1

DETAIL A
-3 & -7 ONLY
SCALE 8:1
BIN CODE NO. 147



VIEW T-T



- ▲ GOLD PLATED PER MIL-G-45204 OVER NICKEL PER QQ-N-290.
- ▲ SILVER PLATED PER QQ-S-365.
- ▲ COLOR CODED AS SHOWN IN DETAIL A.
- ▲ SINGLE COLOR CODE AS SHOWN IN DETAIL B.
- ▲ GRAPHITE COATED, NO COLOR CODE.
- ▲ MAT'L: LEADED COPPER PER ASTM-B-152.
- ▲ POINT OF PLATING THICKNESS MEASUREMENT.

OBSOLETE	▲3	▲2	205763-7
	▲4	▲1	205763-5
OBSOLETE	▲5	▲1	205763-4
OBSOLETE	▲3	▲1	205763-3
	REMARKS	FINISH	PART NUMBER

THIS DRAWING IS A CONTROLLED DOCUMENT.		DWN C.C.THOMAS 12-15-95	Tyco Electronics Corporation Harrisburg, PA 17105-3608	
DIMENSIONS: INCHES		CHK A.SHARPE 4-11-96		
TOLERANCES UNLESS OTHERWISE SPECIFIED:		APVD A.SHARPE 4-11-96	NAME	
0 PLC ± -		PRODUCT SPEC	PIN CONTACT SIZE 12,ARINC TYPE XVII-RM	
1 PLC ± -		APPLICATION SPEC	SIZE CAGE CODE DRAWING NO RESTRICTED TO	
2 PLC ± -			A2 00779 C=205763	
3 PLC ± .005 [0.13]			SCALE 10:1 SHEET 1 of 1 REV P	
4 PLC ± -				
ANGLES ± 2°				
FINISH				
MATERIAL ▲6		SEE TABLE		
		CUSTOMER DRAWING		