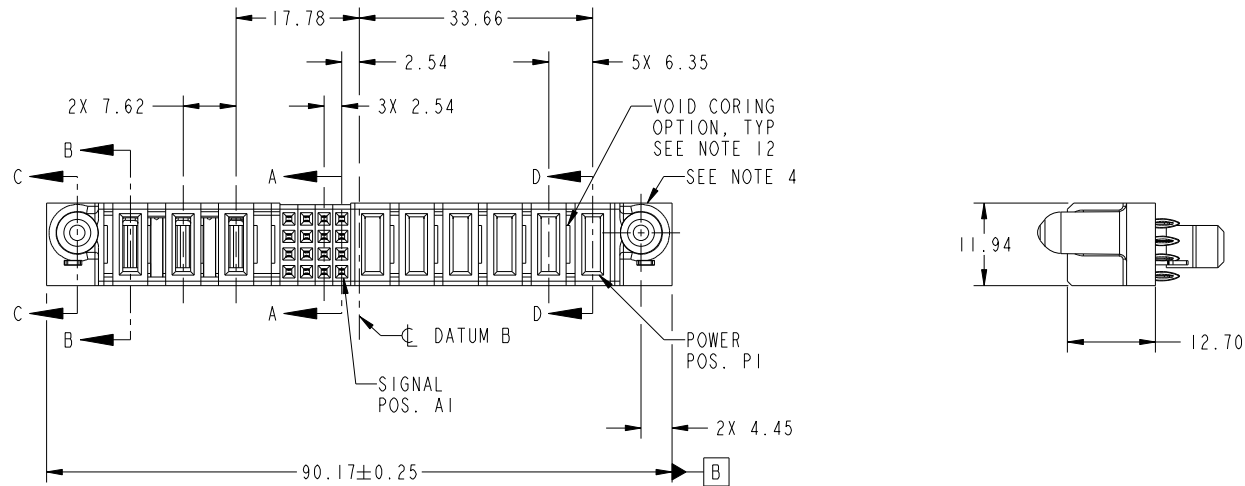


Tous droits strictement réservés. Reproduction ou communication a des tiers interdite sous quelque forme que ce soit sans autorisation écrite du propriétaire. Propriete de c FCI. Droits de reproduction FCI.

All rights strictly reserved. Reproduction or issue to third parties in any form whatever is not permitted without written authority from the proprietor. Property of FCI. Copyright FCI.



PRODUCT NO.	ROWS	POWER			SIGNAL	POWER										
		E2	P9	P8	P7	4	3	2	1	P6	P5	P4	P3	P2	P1	E1
51927-008-- NOTE: 3	D C B A		PH	PH	PG	F	F	F	F	PF	PF	PF	PF	PF	PF	



CODE	DIM "M" MATING LENGTH	CONTACT TYPE
PF	[2.34]	POWER
F	[N/A]	SIGNAL
PH	[2.34]	POWER
PG	[1.07]	POWER
HA	[N/A]	HOLD-DOWN

mat'l code				SEE NOTES		tolerances unless otherwise specified		CUSTOMER		FCI	
ltr	ecn no.	dr	date	linear	0.X ±0.5	projection		COPY		www.fciconnect.com	
A	DG09-0322	WD	10/21/09	angles	0.XX ±0.25			title		6P + 16S + 3CP VERTICAL PRESS-FIT RECEPT	
				dr	0.XXX ±0.1	MIM		product family		PwrBlade	code
				enr	0° ±2°	scale		size	dwg no		213
				chr	Warren Du 09/21/09	1:1		A	51927-008		sheet
				appd	Warren Du 09/21/09						1 of 4
					PM ZHENG 09/21/09						
					Joseph Hsia 09/21/09						
sheet index	revision sheet	A	A	A	A						
		1	2	3	4						
								cage code		22526	

Pro/E

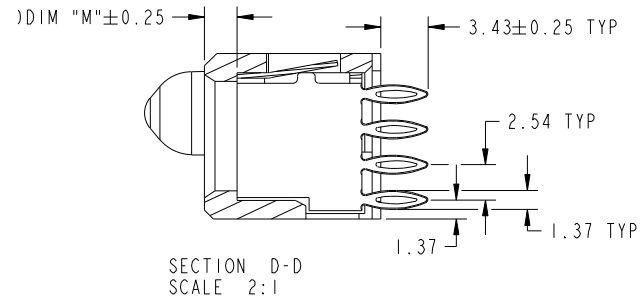
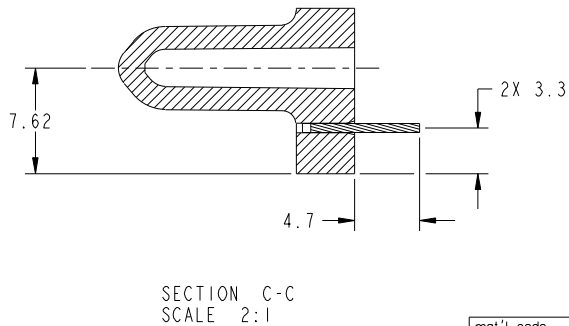
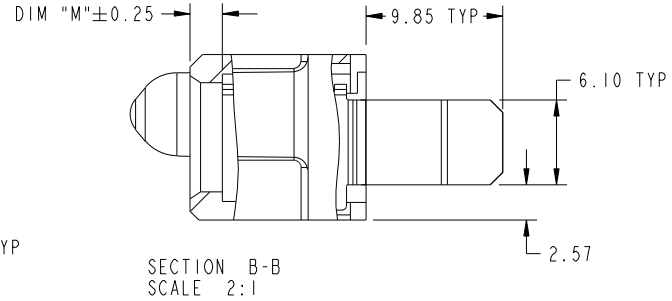
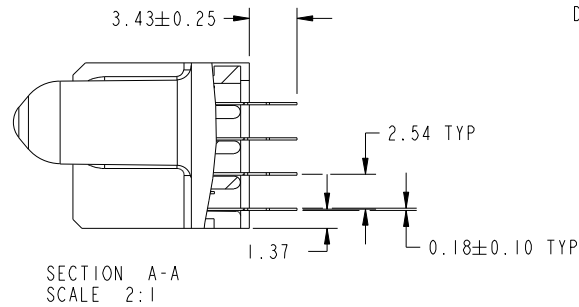
cage code 22526

Tous droits strictement reserves. Reproduction ou communication a des tiers interdite sous quelque forme que ce soit sans autorisation écrite du propriétaire. Propriete de c FCI. Droits de reproduction FCI.

All rights strictly reserved. Reproduction or issue to third parties in any form whatever is not permitted without written authority from the proprietor. Property of FCI. Copyright FCI.



PRODUCT NUMBER
51927-008_
NOTE: 3



mat'l code				tolerances unless otherwise specified		CUSTOMER		 www.fciconnect.com		
ltr	ecn no.	dr	date	linear	0.X ±0.5	COPY		projection	title	
A					0.XX ±0.25					6P + 16S + 3CP VERTICAL PRESS-FIT RECEPT
					0.XXX ±0.1					
				angles	0° ±2°	scale		product family	code	
				dr	Warren Du 09/21/09	1:1		PwrBlade	213	
				engr	Warren Du 09/21/09			size	sheet	
				chr	PM ZHENG 09/21/09			dwg no	2 of 4	
				appd	Joseph Hsia 09/21/09			51927-008		
sheet index	revision sheet									

cage code 22526

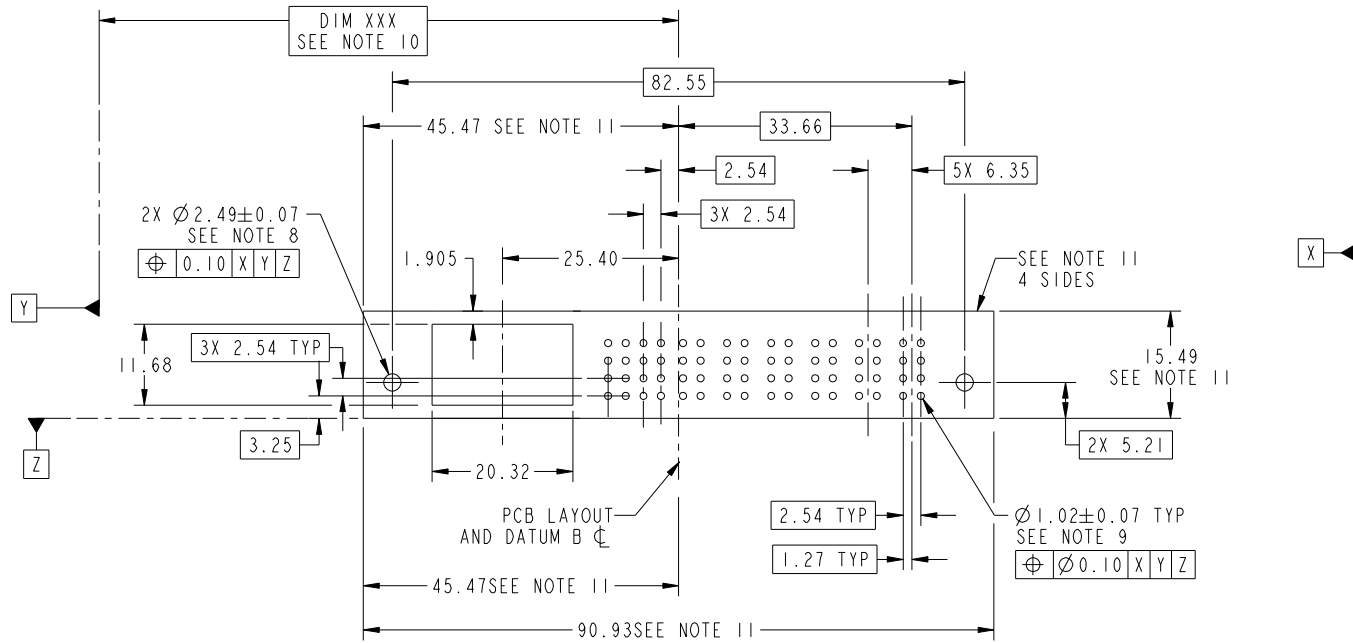
Pro/E

Tous droits strictement reserves. Reproduction ou communication a des tiers interdite sous quelque forme que ce soit sans autorisation écrite du propriétaire. Propriete de c FCI. Droits de reproduction FCI.

All rights strictly reserved. Reproduction or issue to third parties in any form whatever is not permitted without written authority from the proprietor. Property of FCI. Copyright FCI.



PRODUCT NUMBER
51927-008_
NOTE: 3



RECOMMENDED PCB LAYOUT

mat'l code				tolerances unless otherwise specified		CUSTOMER		FCI	
ltr	ecn no.	dr	date	linear	0.X ±0.5	COPY		www.fciconnect.com	
A					0.XX ±0.25	projection		title	
				angles	0.XXX ±0.1			6P + 16S + 3CP VERTICAL PRESS-FIT RECEPT	
				dr	0° ±2°	MIM		product family PwrBlade code 213	
				enr	Warren Du 09/21/09			size dwg no 213	
				chr	Warren Du 09/21/09	scale		sheet 3 of 4	
				appd	PM ZHENG 09/21/09	1:1		A 51927-008	
					Joseph Hsia 09/21/09				
sheet index	revision sheet								

cage code 22526

Pro/E

Tous droits strictement reserves. Reproduction ou communication a des tiers interdite sous quelque forme que ce soit sans autorisation écrite du propriétaire. Propriete de c FCI. Droits de reproduction FCI.

All rights strictly reserved. Reproduction or issue to third parties in any form whatever is not permitted without written authority from the proprietor. Property of FCI. Copyright FCI.



PRODUCT NUMBER
51927-008_
NOTE: 3

NOTES:

1. DIMENSIONS AND TOLERANCES ARE IN ACCORDANCE WITH ASME Y14.5M, 1994 UNLESS OTHERWISE SPECIFIED.

CONNECTOR NOTES:

- ② HOUSING MATERIAL: UL 94 V-0 GLASS FILLED HIGH-TEMP THERMOPLASTIC
POWER CONTACT MATERIAL: COPPER ALLOY
SIGNAL PIN MATERIAL: COPPER ALLOY
- 3. SEE ITEM 7 & 8 IN PRINT 10064183 FOR PLATING SPEC OF 51927-008 AND 51927-008LF RESPECTIVELY.
- ④ MANUFACTURER'S NAME, P/N, AND DATE CODE TO APPEAR ON THIS SURFACE.
- 5. PRODUCT SPECIFICATION GS-12-149.
APPLICATION SPECIFICATION BUS-20-067.
- 6. PACKAGED IN TRAYS.

PCB NOTES:

- 7. ALL HOLE DIAMETERS ARE FINISHED HOLE SIZE.
- ⑧ MOUNTING HOLES, WHERE APPLICABLE, ARE UNPLATED.
- ⑨ $\varnothing 1.151 \pm 0.025$ DRILLED HOLES PLATED WITH
0.008 MIN SnPb OR Sn OVER 0.03
TO 0.08 Cu PLATING TO ACHIEVE
 $\varnothing 1.02 \pm 0.07$ HOLE.
- ⑩ "DIM XXX" TO BE DETERMINED BY THE CUSTOMER.
- ⑪ CONNECTOR KEEP-OUT ZONE.
- 12. THE VOID CORING IN BETWEEN POWER MODULES, SIGNAL MODULES AND END MODULES ARE OPTIONAL AND THE SHAPE MAY BE DIFFERENT FOR OPTIMIZE THE MOLDING PROCESS. THE VOID CORING WILL NOT EFFECT TO PRODUCT FUNCTION.

mat'l code				tolerances unless otherwise specified		CUSTOMER		FCI		www.fciconnect.com	
ltr	ecn no.	dr	date	linear	0.X ± 0.5		COPY		projection	title	
A					0.XX ± 0.25		6P + 16S + 3CP			VERTICAL PRESS-FIT RECEIPT	
					0.XXX ± 0.1						
				angles	0° ± 2°				product family		code
				dr	Warren Du	09/21/09	scale		PwrBlade		213
				enr	Warren Du	09/21/09	1:1		size		sheet
				chr	PM ZHENG	09/21/09	A		dwg no		4 of 4
				appd	Joseph Hsia	09/21/09			51927-008		
sheet index	revision sheet										

cage code 22526

Pro/E