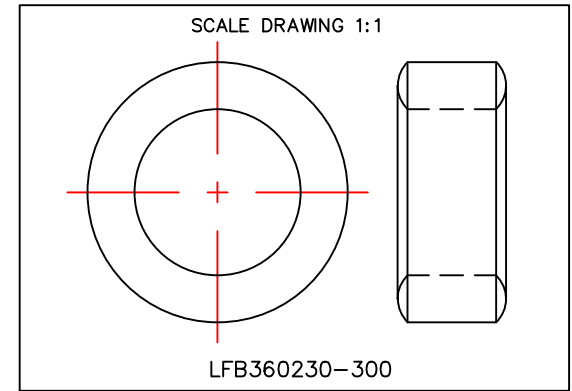


SECTION A-A
SEE DETAIL "A"



RoHS

IMPEDANCE (Z) NET SEE NOTE 1

FREQUENCY	500 KHz	1 MHz	5 MHz
NOMINAL (REF.) 1 TURN	24 Ω	27 Ω	19 Ω
MINIMUM (SPEC.) 1 TURN	- Ω	22 Ω	- Ω
NOMINAL (REF.) 2 TURNS	96 Ω	110 Ω	75 Ω
NOMINAL (REF.) 3 TURNS	217 Ω	247 Ω	168 Ω

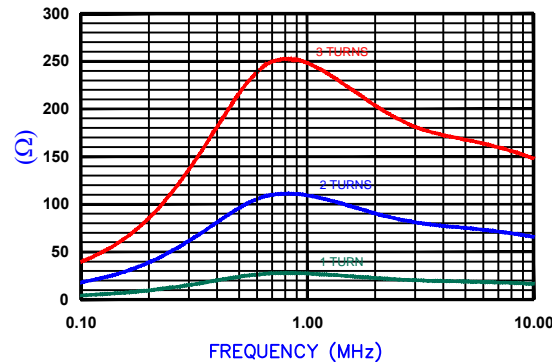
TEST CRITERIA

METER HP4396A OR EQUIVALENT
FIXTURE HP16092A OR EQUIVALENT

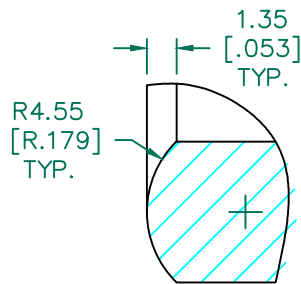
NOTES:

- NET IMPEDANCE IS IMPEDANCE OF THE FERRITE CORE ONLY. ALL IMPEDANCE CONTRIBUTION FROM TEST WIRE AND FIXTURES HAS BEEN REMOVED.
- COSMETIC SPECIFICATION REFER TO WI-QA-038.

Z vs. FREQUENCY
1 TURN, 2, AND 3 TURNS
(REF. ONLY)



HP 4396A RF Impedance/Material Analyzer
HP 16092A Test Fixture, REF #3978



DETAIL "A"
RADIUS
SCALE=3:1

FERRITE CORE DIMENSIONS (SPEC): mm [in]

A	36.00 [1.417]	±	0.70 [.028]
B	23.00 [.905]	±	0.70 [.028]
C	15.00 [.591]	±	0.40 [.016]

WEIGHT/1000 43.63 kgs 96.20 lbs

DIMENSIONS ARE IN mm [INCHES].				This print is the property of Laird Tech. and is loaned in confidence subject to return upon request and with the understanding that no copies shall be made without the written consent of Laird Tech. All rights to design or invention are reserved.		Laird	
E	UPDATE TOLERANCE AND DETAIL A	06/12/17	QIU	PROJECT/PART NUMBER:	REV	PART TYPE:	DRAWN BY:
D	UPDATE COMPANY LOGO	07/13/08	TMB	LFB360230-300	E	FERRITE CORE	TMB
C	REM MIN SPEC @500KHz& 5MHz	02/13/06	JRK				
B	UPDATE METRIC DIMENSIONS	04/06/04	TMB	DATE:	SCALE:	MATERIAL:	
A	ORIGINAL DRAFT	03/30/04	TMB	03/30/04	1.5:1	LF	
REV	DESCRIPTION	DATE	INT	CAD #	TOOL #		
				LFB360230-300-E	-		