

6

5

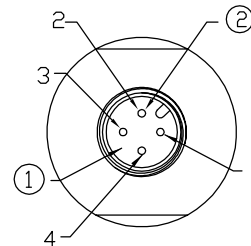
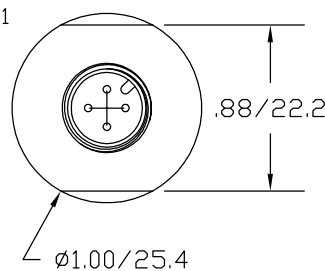
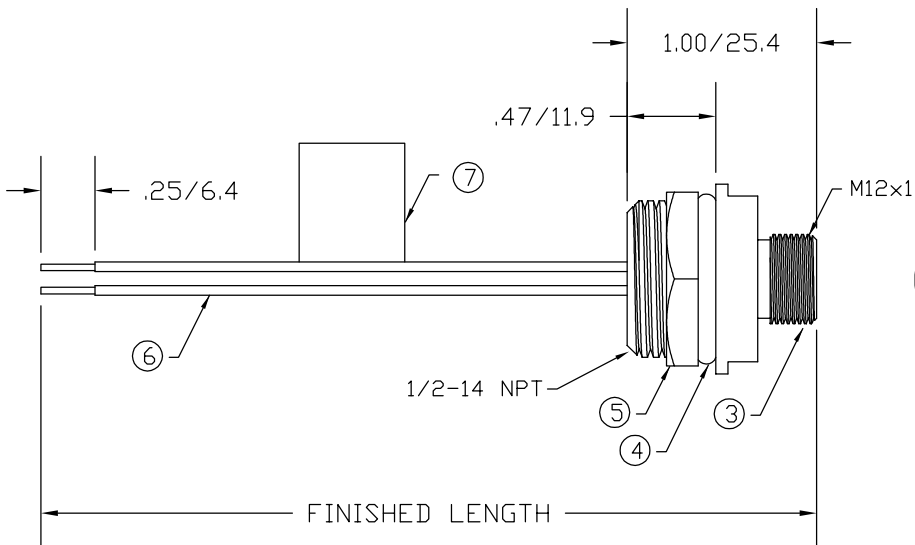
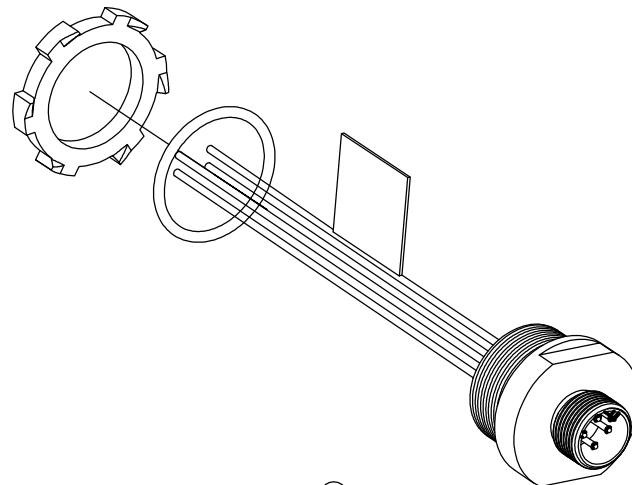
4

3

2

1

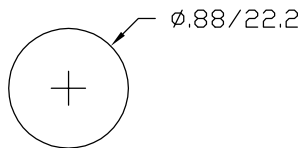
MATERIAL NUMBER	OLD PART NUMBER	FINISHED LENGTH
120070-0183	8R4006A18A060	6" +.75" -0 [.2M +19.1 -0]
120070-0184	8R4006A18A120	12" +.75" -0 [.3M +19.1 -0]



1	BROWN
2	WHITE
3	BLUE
4	BLACK

MALE FACE VIEW

WIRING DIAGRAM



TYPICAL KNOCKOUT HOLE

VOLTAGE RATING	250 VAC/VDC
AMPERAGE RATING	4 AMPS
PROTECTION	IP67
OPERATING TEMPERATURE	-20°C TO 80°C
UL CERTIFICATIONS	UL LISTED, FILE NO. E152210
CSA CERTIFICATIONS	CSA CERTIFIED, FILE NO. LR6837

ITEM	COMPONENT	MATERIAL	FINISH
1	INSERT	NYLON	BLACK
2	CONTACT PIN	COPPER ALLOY	GOLD OVER NICKEL
3	RECEPTACLE SHELL	ALUMINUM	BLACK ANODIZED
4	O-RING	NITRILE	BLACK
5	LOCKNUT	STEEL	ZINC PLATED
6	CONDUCTOR -22 AWG, 26 x #36 STRANDING, 300 VOLTS	PVC	SEE WIRING DIAGRAM
7	FLAG LABEL	VINYL	CLEAR/YELLOW

RLSD DRAWING
 EC NO: WNA2009-0641
 DRWN: BWOODMAN
 CHKD: JM
 APPR: JFMURPHY
 3/3/09
 2009/04/08

QUALITY SYMBOLS
 ▽=0
 ▽=0

	GENERAL TOLERANCES (UNLESS SPECIFIED)	
	mm	INCH
4 PLACES	±.004	±.0015
3 PLACES	±.005	±.002
2 PLACES	±.0075	±.003
1 PLACE	±0.01	±.005
ANGULAR ±.5°		

DRAFT WHERE APPLICABLE
 MUST REMAIN WITHIN DIMENSIONS

DIMENSION STYLE IN/MM
 DRAWN BY DATE
BW 2009/03/31
 CHECKED BY DATE
VO 2009/03/31
 APPROVED BY DATE

 MATERIAL NO.
SEE CHART
 SIZE **A**

SCALE ---
 DESIGN UNITS ---
 THIRD ANGLE PROJECTION
 TITLE
**MICRO-CHANGE RECEPTACLE
 4 POLE MALE
 1/2-14 NPT**
 MOLEX INCORPORATED
 DOCUMENT NO. **SD-120070-005**
 SHEET NO. **1 OF 1**
 THIS DRAWING CONTAINS INFORMATION THAT IS PROPRIETARY TO MOLEX INCORPORATED AND SHOULD NOT BE USED WITHOUT WRITTEN PERMISSION

6

5

4

3

2

1

E

E

D

D

C

C

B

B

A

A