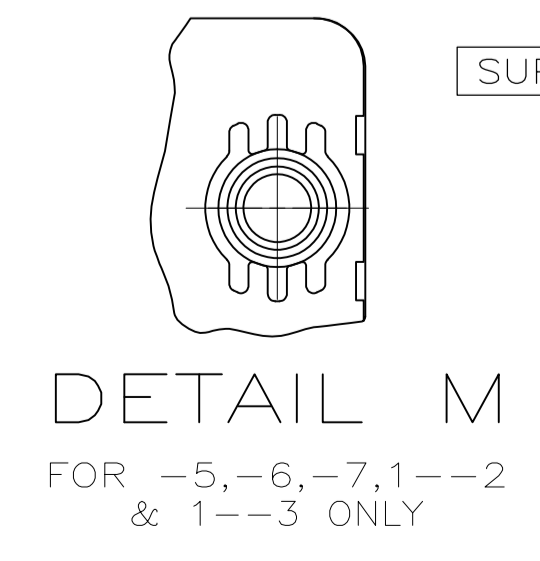
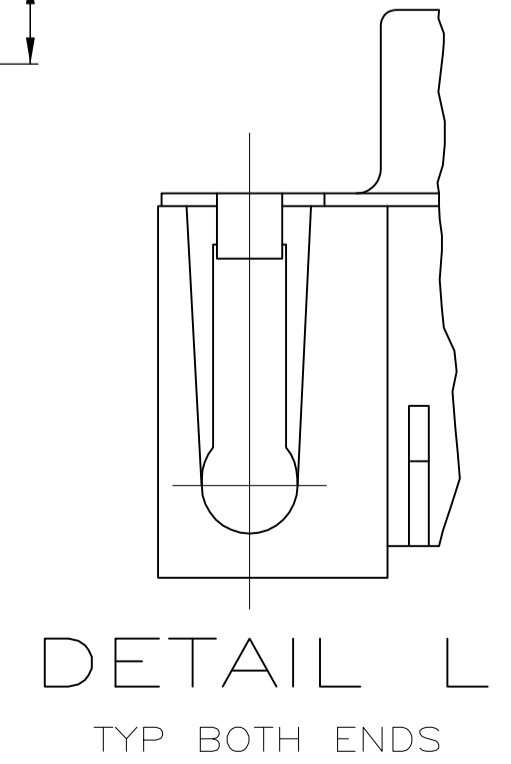


RECOMMENDED P.C. BOARD MOUNTING DIMENSIONS



- CONNECTOR MATES WITH ANY 25 POSN PLUG IN AMPLIMITE™ SERIES & COMPLIES WITH AMP SPEC 108-40005 WHERE APPLICABLE.
- MOLDED PARTS: FLAME RETARDANT 94V-0 RATED THERMOPLASTIC, BLACK.
SHELL: STEEL PER ASTM A109
CONTACTS: PHOSPHOR BRONZE PER QQ-B-750
EYELETS: BRASS
SCREWLOCKS: ZINC
INSERTS: ZINC
- SHELL: TIN PLATED
CONTACTS: SEE TABLE
EYELETS: TIN PLATED
SCREWLOCKS: CLEAR CHROMATE
INSERTS: CLEAR CHROMATE
- GOLD PLATING PER MIL-G-45204, NICKEL PLATING PER QQ-N-290, TIN PER MIL-T-10727.
- GOLD FLASH FOR A DISTANCE OF .100 MIN FROM MATING END, TIN PLATED .000100-.000200 ON OPPOSITE END, ALL OVER .000050 NICKEL.
- .000030 GOLD FOR A DISTANCE OF .100 MIN FROM MATING END, TIN PLATED .000100-.000200 ON OPPOSITE END, ALL OVER .000050 NICKEL.
- .000015 MIN GOLD FOR A DISTANCE OF .100 MIN FROM MATING END, TIN PLATED .000100-.000200 ON OPPOSITE END, ALL OVER .000030 NICKEL.
- HEXAGONAL HEAD FEMALE SCREWLOCK (REMOVABLE), ASSEMBLED AND SUPPLIED FOR -7 ONLY; FOR USE ON A .060 PANEL REAR MOUNT APPLICATION.

OBSOLETE	NONE	GROUNDING STRAPS	7	1-745783-4
SUPSD BY 745783-6	FEMALE SCREWLOCKS	CLINCH TABS (SEE DETAIL L)	6	1-745783-3
OBSOLETE	FEMALE SCREWLOCKS	CLINCH TABS (SEE DETAIL L)	5	1-745783-2
SUPSD BY 745783-4	THREADED INSERTS	CLINCH TABS (SEE DETAIL L)	6	1-745783-1
OBSOLETE	THREADED INSERTS	CLINCH TABS (SEE DETAIL L)	5	1-745783-0
SUPSD BY 745783-2	NONE	CLINCH TABS (SEE DETAIL L)	6	745783-9
OBSOLETE	NONE	CLINCH TABS (SEE DETAIL L)	5	745783-8
OBSOLETE	FEMALE SCREWLOCKS	GROUNDING STRAPS	7	745783-7
OBSOLETE	FEMALE SCREWLOCKS	GROUNDING STRAPS	6	745783-6
OBSOLETE	FEMALE SCREWLOCKS	GROUNDING STRAPS	5	745783-5
OBSOLETE	THREADED INSERTS	GROUNDING STRAPS	6	745783-4
OBSOLETE	THREADED INSERTS	GROUNDING STRAPS	5	745783-3
OBSOLETE	NONE	GROUNDING STRAPS	6	745783-2
SUPSD BY 745783-2	NONE	GROUNDING STRAPS	5	745783-1

MOUNTING HARDWARE	SHELL VERSION	CONTACT FINISH	PART NUMBER
-------------------	---------------	----------------	-------------

THIS DRAWING IS A CONTROLLED DOCUMENT.

DIMENSIONS: INCHES	TOLERANCES UNLESS OTHERWISE SPECIFIED:	DIN J GALLUCCI BG 1-23-91	RCPT ASSY, SIZE 3, 25 POSN, RTANG, AMPLIMITE HD-20, WITH METAL SHELL WITH OR WITHOUT SCREWLOCKS OR INSERTS
0 PLC ± -	1 PLC ± -	4-26-91	108-40025
2 PLC ± -	3 PLC ± -		114-40010
4 PLC ± -	ANGLES ± -		00779

STE TE Connectivity

CUSTOMER DRAWING SCALE 4:1 SHEET 1 OF 1 REV AD1