

5

4

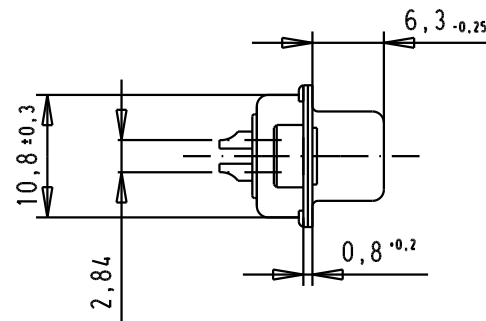
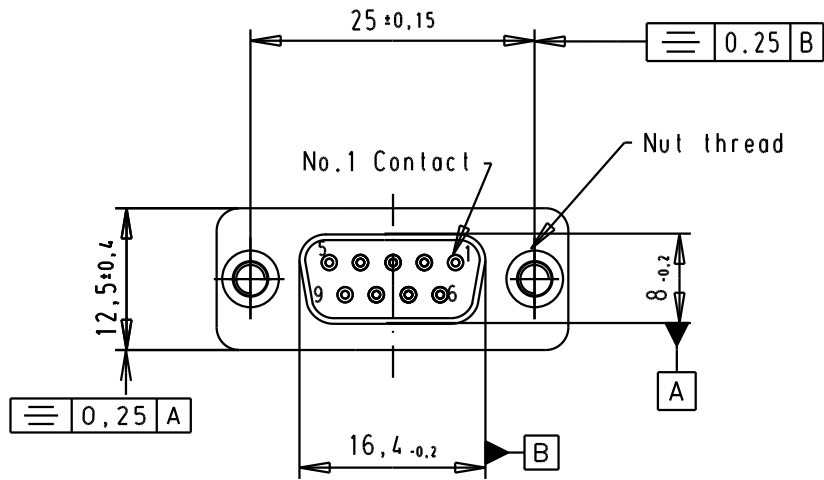
3

2

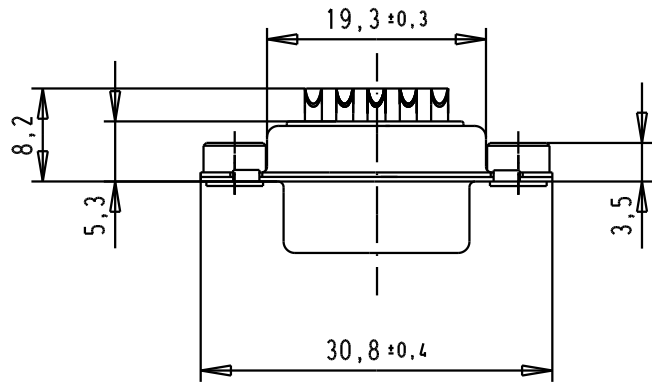
1

SPECIFICATION

Mating Cycles	500
Filter type	C
Capacitance	47pf±20%
Working Voltage	100v
Current Rating	7,5A
Insulation Resistance	>1GΩ



Solder bucket for AWG 20 Max



FREQUENCY (MHz)	ATTENUATION dB
5	-
10	-
50	-
100	-
500	30dB
1000	35dB

D

C

B

A

			33440	16/03/06	JMDR				
09641117218	M3		32803	29/09/05	JMDR				
09641117217	UNC 4-40		31058	8-JUL-02	CV				
Part number	Nut thread		Mod.	Dat.	Name				

				Dat.	Name	<p>All Dim. in mm Orig. Size DIN A 4</p>	
				Detail.	8-JUL-02		CV
				Insp.			
				Stand.			

HARTING EURL
F-95972 Paris

D-Sub, Female, Straight
9 Poles, solder buckets,
shell with clinch nuts

TB 0964111721x

Sub.

Mo?MsTab/ Scale	1.5:1
Blatt/ Page	1 / 1