

SIGN	DATE	DESCRIPTION	APPROVER

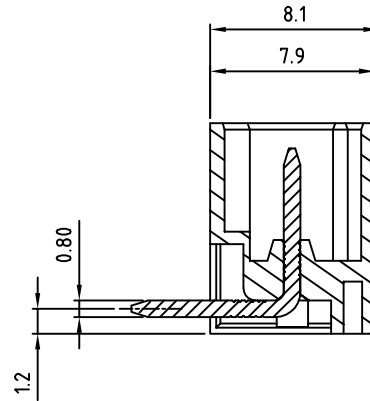
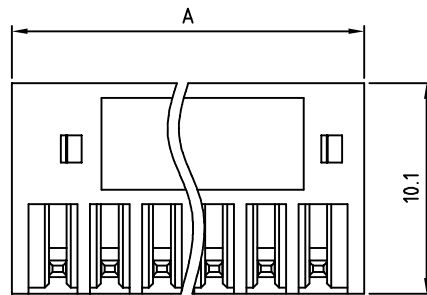
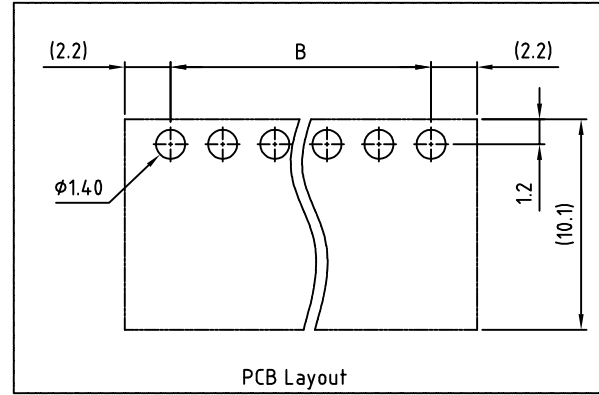
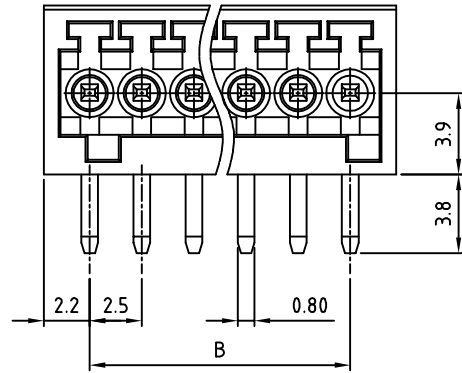
THIS IS CAD DRAWING, DO NOT REVISE MANUALLY!!!

Material:

- Contact pin: Brass(CuZn) Tin plated
- Insulator(housing): Thermoplastic (UL94V-0)

Electrical: cULus

- Voltage rating: 125V
  - Current rating: 4A
  - Withstanding Voltage: 1.25 KV
  - Operating temperature: -30°C to +105°C
  - Soldering temperature: 250°C±10°C/5 Sec
- RoHS Compliant



PART NUMBER:

OSTOQXXB151

No. of Poles

- 02 2 Poles
- 03 3 Poles
- ... ..
- 24 24 Poles

COLOR

- 0: Black
- 5: Green (Standard)
- 6: Blue
- 8: Grey

THESE DRAWINGS AND SPECIFICATIONS ARE THE PROPERTY OF ON-SHORE TECHNOLOGY, INC. AND SHALL NOT BE REPRODUCED, COPIED OR USED IN ANY MANNER WITHOUT THE PRIOR WRITTEN CONSENT OF ON-SHORE TECHNOLOGY, INC.

POLE		2	3	4	5	6	7	8	9	10	11	12	
A		6.90	9.40	11.90	14.40	16.90	19.40	21.90	24.40	26.90	29.40	31.90	
B		2.50	5.00	7.50	10.00	12.50	15.00	17.50	20.00	22.50	25.00	27.50	
Tol.		±0.10					±0.15						
POLE		13	14	15	16	17	18	19	20	21	22	23	24
A		34.40	36.90	39.40	41.90	44.40	46.90	49.40	51.90	54.40	56.90	59.40	61.90
B		30.00	32.50	35.00	37.50	40.00	42.50	45.00	47.50	50.00	52.50	55.00	57.50
Tol.		±0.20					±0.30						



TITLE	OSTOQ 2.5mm 90° Series			DWG NO.	OSTOQXXB151.DWG		
PART NO.	OSTOQXXB151			CUST NO.			
APPROVED	CHECKED	DESIGNED	DRAWN	Tolerance			
		Tony 2007.04.07	Tony 2007.04.07		UNIT: mm	X.	±0.50
					SCALE: NONE	X.X	±0.30
				SHEET: 01/01	REV: B	X.XX	±0.10
						X°	±1°