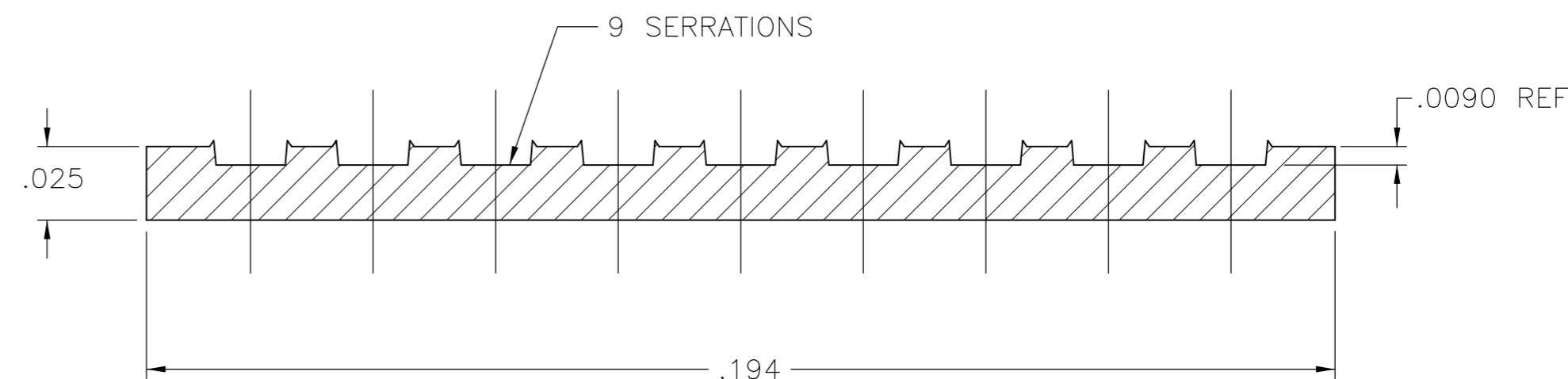
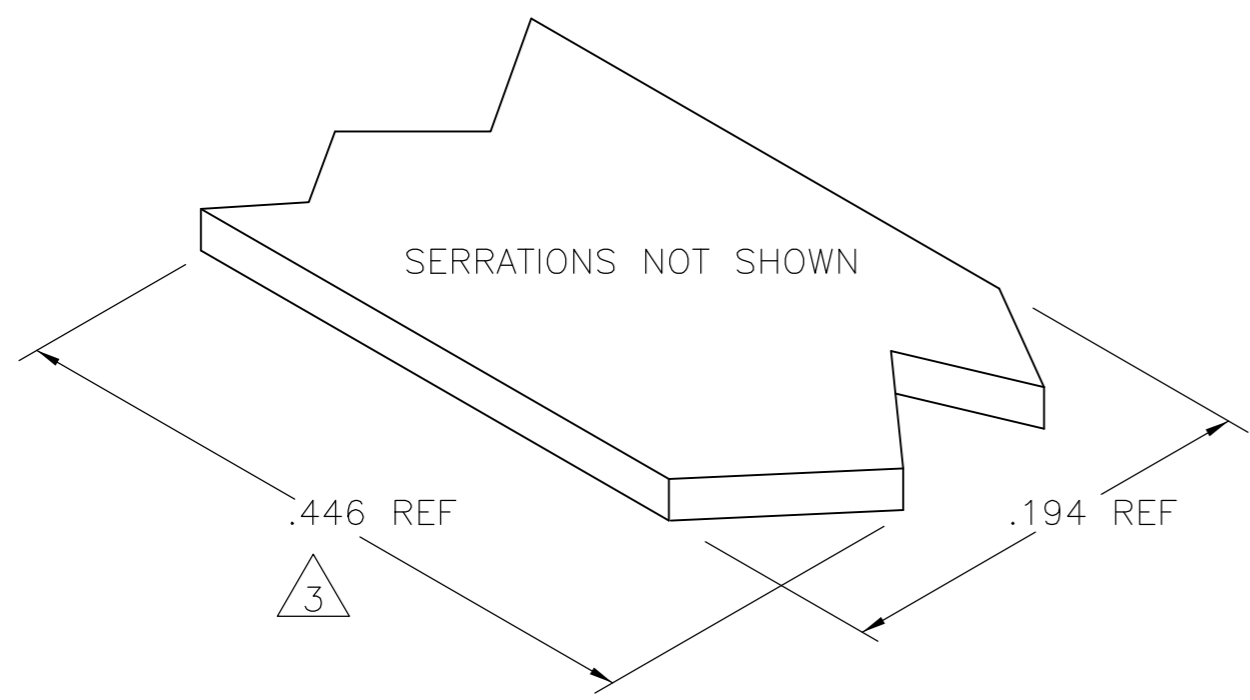


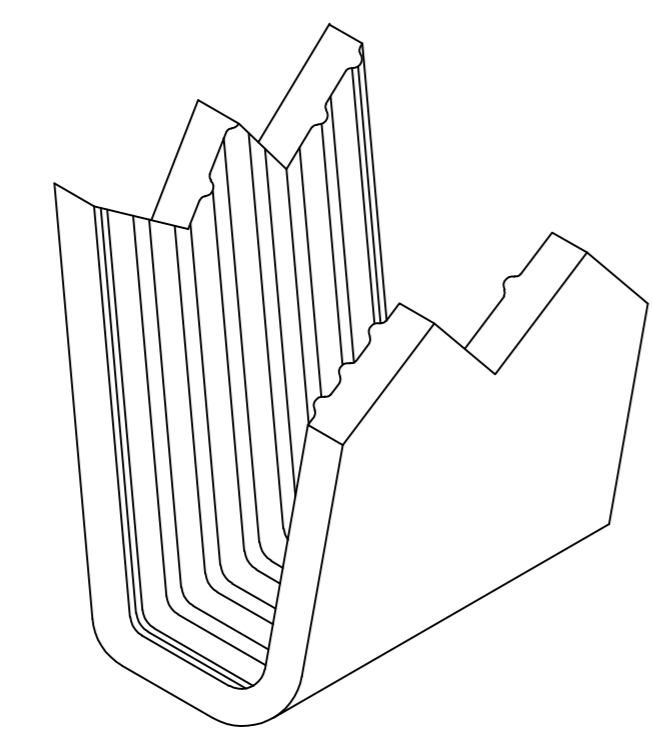
THIS DRAWING IS UNPUBLISHED. RELEASED FOR PUBLICATION
 © COPYRIGHT BY TYCO ELECTRONICS CORPORATION. ALL RIGHTS RESERVED.

LOC	DIST	REVISIONS			
P	LTR	DESCRIPTION	DATE	DWN	APVD
AF	50	A	REVISED PER ECR-09-011533	29MAY09	HMR DD

- 1 CRIMPBAND MATERIAL PROVIDED IN CONTINUOUS STRIP.
- 2 REFERENCE DESCRIPTIVE PART NUMBER G1258R25TB.
- 3 BLANK LENGTH DETERMINED BY 125 TOOLSET.



TYP. CROSS SECTION



PARTIAL FORMED VIEW (REF)
FORMED BY APPLICATION TOOLING

1601332-1
PART NUMBER

THIS DRAWING IS A CONTROLLED DOCUMENT.		DWN JR RUTH 29SEPT2008	Tyco Electronics Corporation Harrisburg, PA 17105-3608	
DIMENSIONS: INCHES		CHK ED HOWARD 29SEPT08		
		APVD ED HOWARD 29SEPT08		
TOLERANCES UNLESS OTHERWISE SPECIFIED:		PRODUCT SPEC	NAME CRIMPBAND, MTM	
0 PLC ± -		APPLICATION SPEC	SIZE	CAGE CODE
1 PLC ± -		—	A2	00779
2 PLC ± -		—	DRAWING NO	RESTRICTED TO
3 PLC ± .005		—	C=1601332	—
4 PLC ± -		—	SCALE	SHEET
ANGLES ± -		WEIGHT	1:1	1 of 1
FINISH		CUSTOMER DRAWING	REV	A
MATERIAL UNS C26000 BRASS		FINISH TIN		

1601332