

MATERIALS AND FINISHES

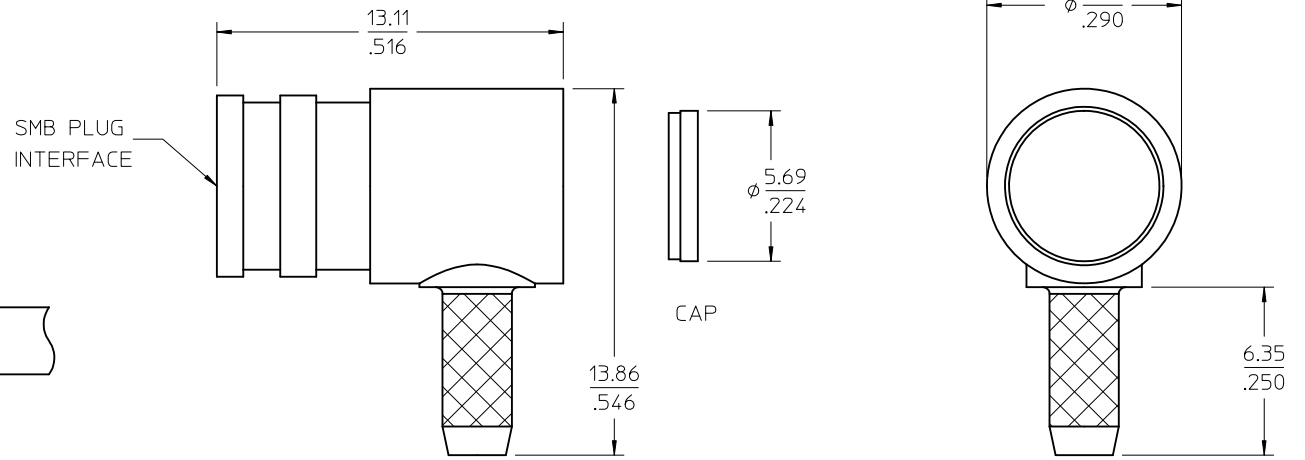
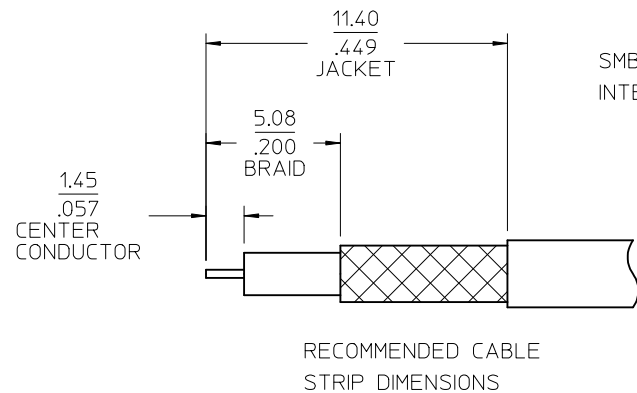
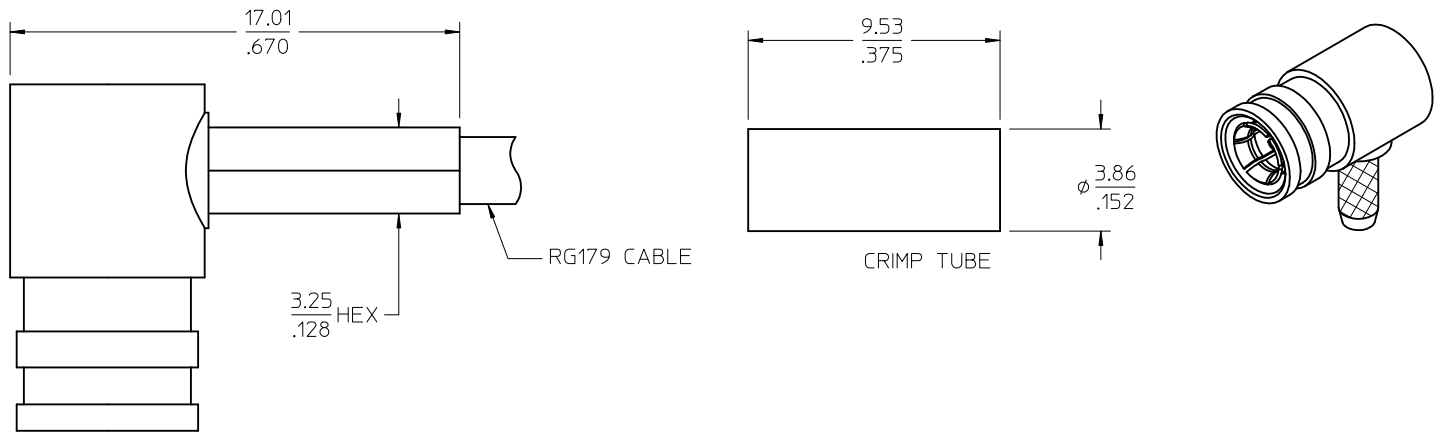
BODY: ZINC ALLOY
PLATED SEE TABLE

CENTER CONTACT
BERYLLIUM COPPER
PLATED GOLD

OUTER CONTACT: BERYLLIUM COPPER
PLATED SEE TABLE

INSULATOR POLYPROPYLENE

CAP, CRIMP TUBE: BRASS
PLATED SEE TABLE



PS-89675-3540	ELECTRO/MECH PERFORM.
MIL-STD-348A, FIG. 311.2	INTERFACE
SPECIFICATION	DESCRIPTION

73404-0431	GOLD
73404-0430	NICKEL
PART NO.	PLATING

CHG: ADD HEX VIEW
 EC NO: URF2012-0657
 DRWN: JWIENER 2012/05/03
 CHKD: SSS 2012/05/03
 APPR: JWIENER 2012/05/07

QUALITY SYMBOLS	GENERAL TOLERANCES (UNLESS SPECIFIED)
▽=0	mm INCH
▽=0	4 PLACES ± --- ± ---
	3 PLACES ± --- ± ---
	2 PLACES ± --- ± ---
	1 PLACE ± --- ± ---
	ANGULAR ± 2 °
	DRAFT WHERE APPLICABLE MUST REMAIN WITHIN DIMENSIONS

DIMENSION STYLE		SCALE	DESIGN UNITS	THIRD ANGLE PROJECTION
MM/IN			METRIC	
DRAWN BY	DATE	TITLE		
AZR	2004/03/16	SMB PLUG 75 OHMS, R/A		
CHECKED BY	DATE	RG-179 CABLE		
SSS	2004/03/16	SMB-PC/RA		
APPROVED BY	DATE	MOLEX INCORPORATED		
JDW	2004/03/16	MOLEX INCORPORATED		
MATERIAL NO.	DOCUMENT NO.	SHEET NO.		
SEE TABLE	SD-73404-043	1 OF 1		

MATERIAL NO.		DOCUMENT NO.	SHEET NO.
SEE TABLE		SD-73404-043	1 OF 1
THIS DRAWING CONTAINS INFORMATION THAT IS PROPRIETARY TO MOLEX INCORPORATED AND SHOULD NOT BE USED WITHOUT WRITTEN PERMISSION			