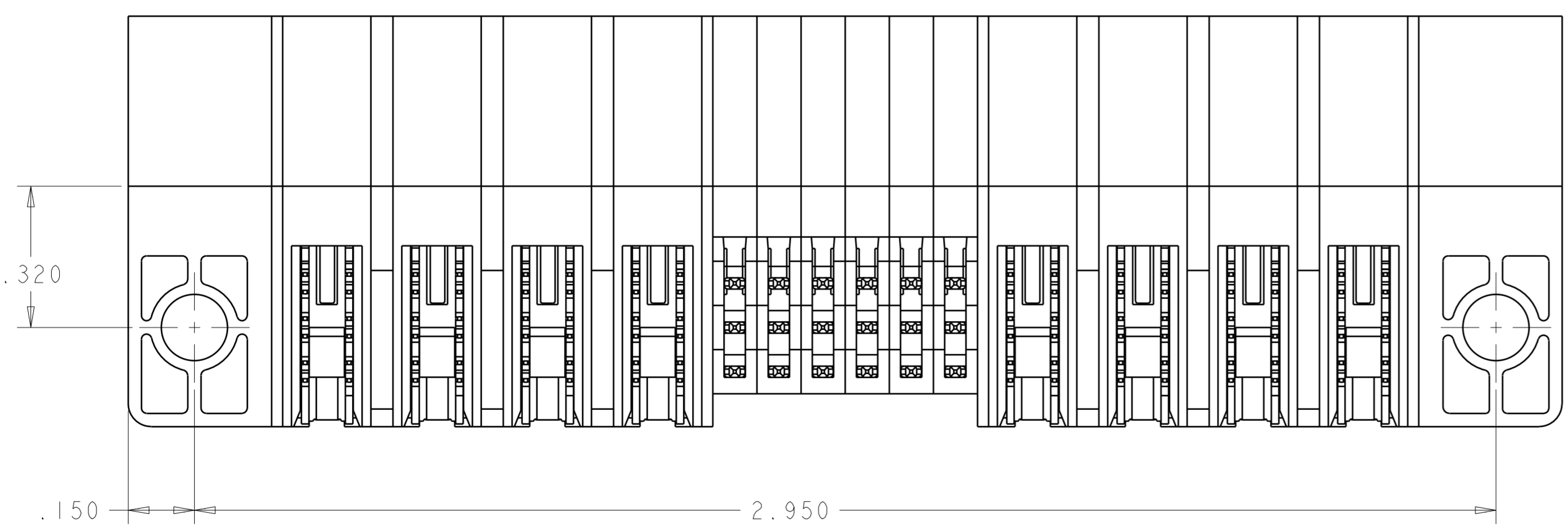
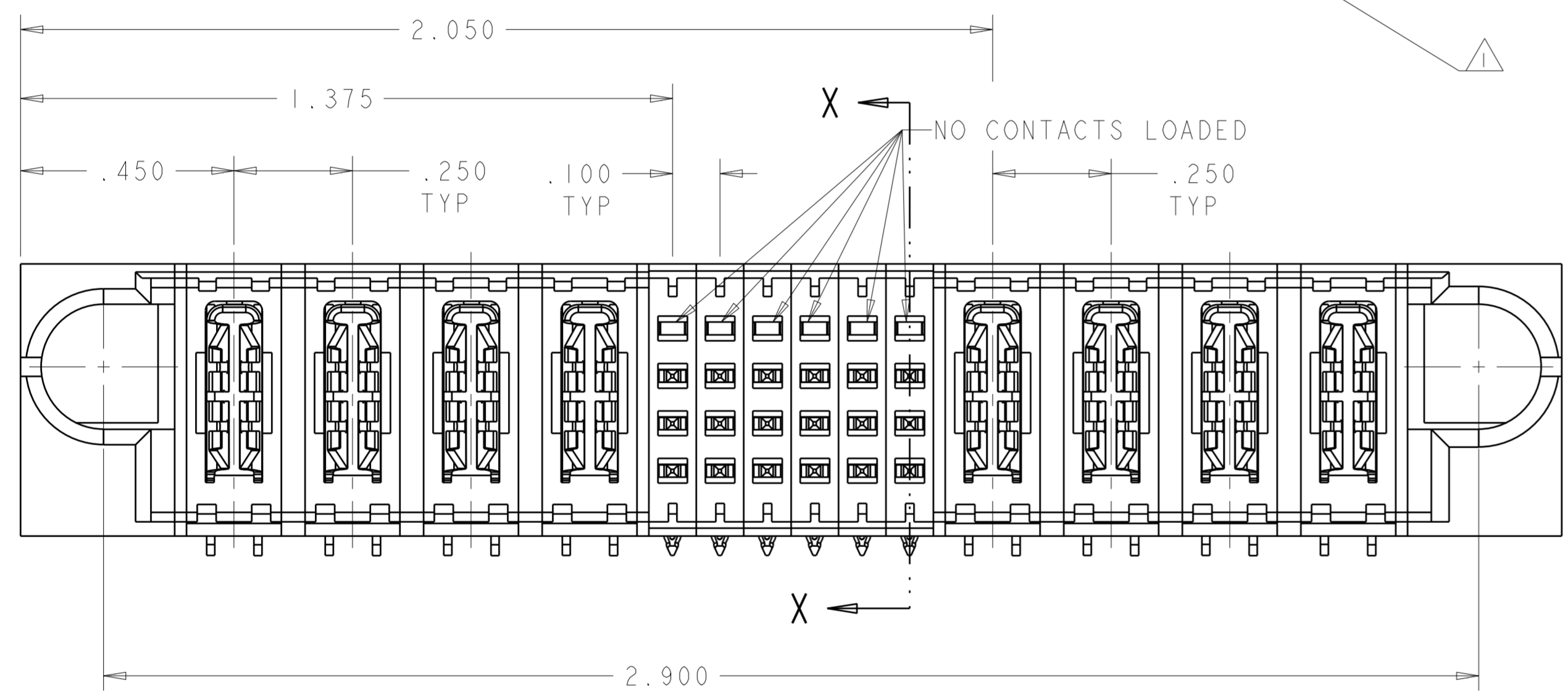
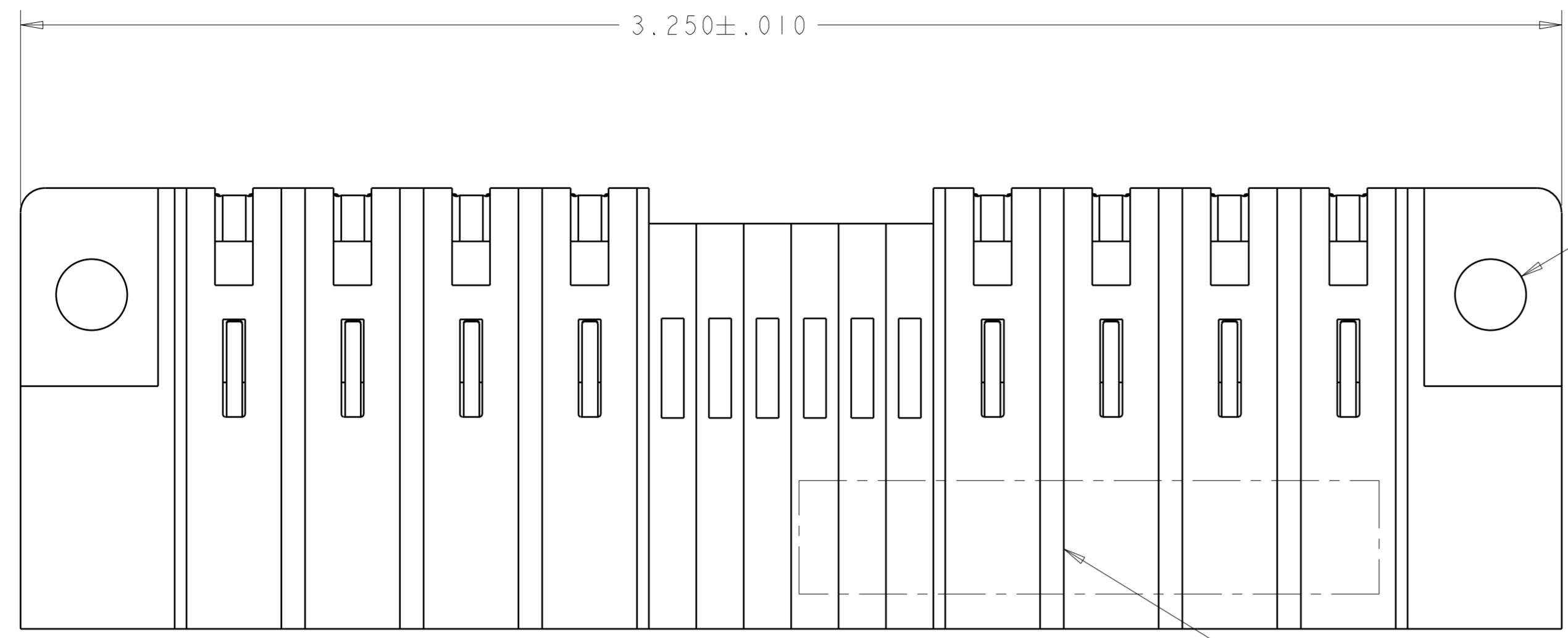
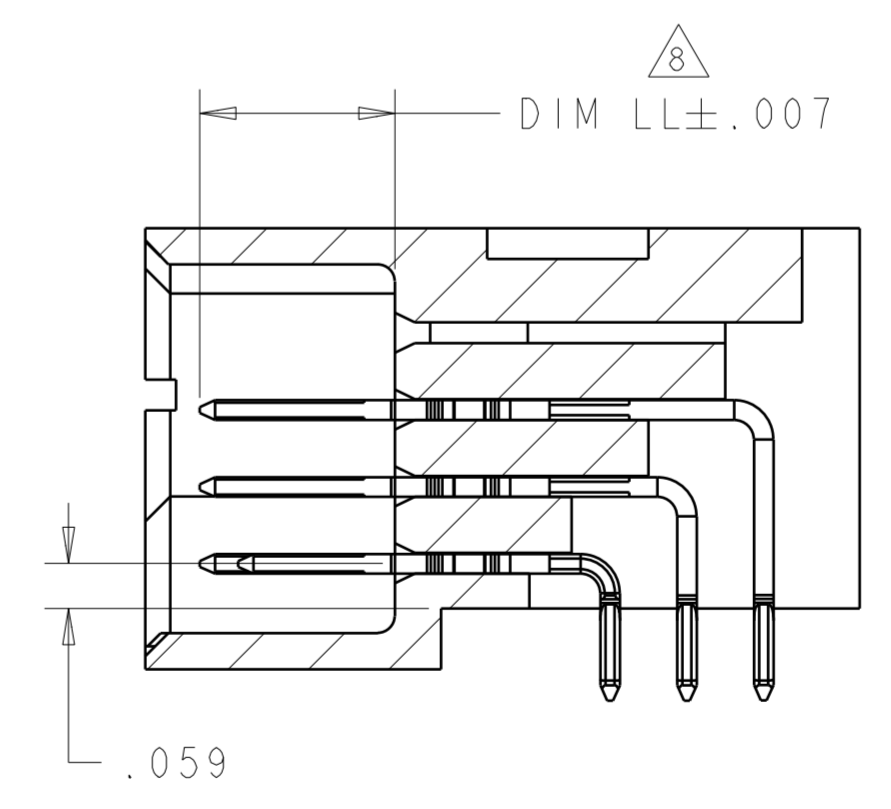
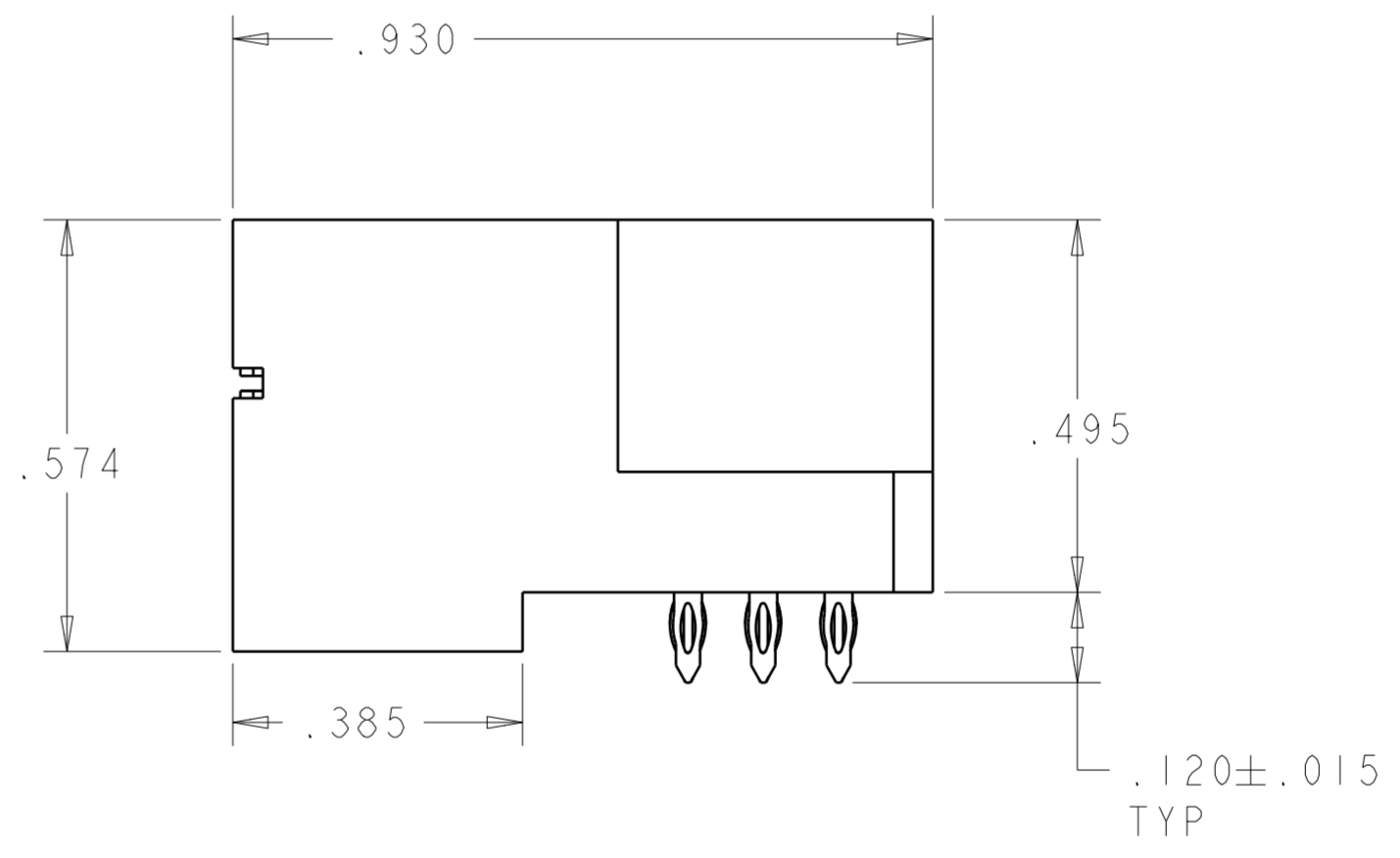


LOC	DIST	REVISIONS			
ES	00	REV	DATE	BY	APVD
		A	21SEP2007	DZ	SY



- 1 PART NUMBER, AND DATE CODE MARKED IN AREA SHOWN. MARKING ON BOTH SIDES PERMITTED FOR PARTS UNDER 2.00 LONG.
- 2 MATERIAL:
 HOUSING - GLASS FILLED HIGH TEMP THERMO PLASTIC, UL94 V-0, BLACK
 SIGNAL CONTACT - COPPER ALLOY
 POWER CONTACT - HIGH CONDUCTIVITY COPPER ALLOY
- 3 CONTACT PLATING:
 SIGNAL CONTACTS - .000050 MIN Ni UNDER ALL.
 .000030 MIN Au ON CONTACT AREA.
 .000100 MIN Sn AT PCB INTERFACE.
 POWER CONTACTS - .000050 MIN Ni UNDER ALL.
 .000030 MIN Au ON CONTACT AREA.
 .000100 MIN Sn AT PCB INTERFACE.
- 4 MECHANICAL CONNECTOR KEEP OUT ZONE.
- 5 DATUM AND BASIC DIMENSIONS ESTABLISHED BY CUSTOMER.
- 6 PCB - ALL HOLE DIAMETERS ARE FINISHED HOLE SIZES.
- 7 PCB - .0453 ± .0010 DRILLED HOLES PLATED WITH .0003 MIN Sn OVER .001 TO .003 Cu PLATING TO ACHIEVE A .040 HOLE.
- 8 DIM LL FOR STANDARD SIGNAL CONTACT = .254
 MLBF SIGNAL CONTACT = .204

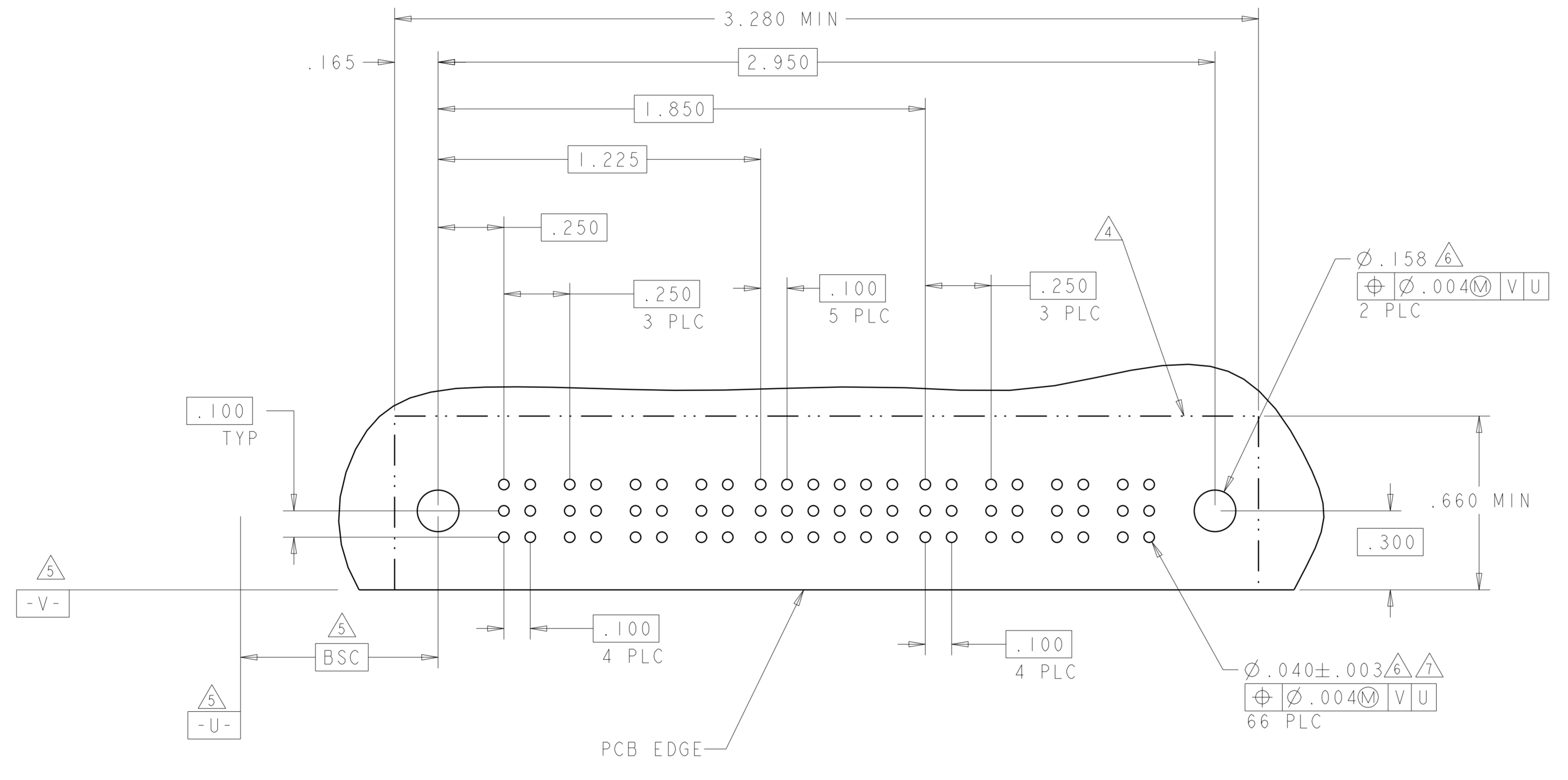
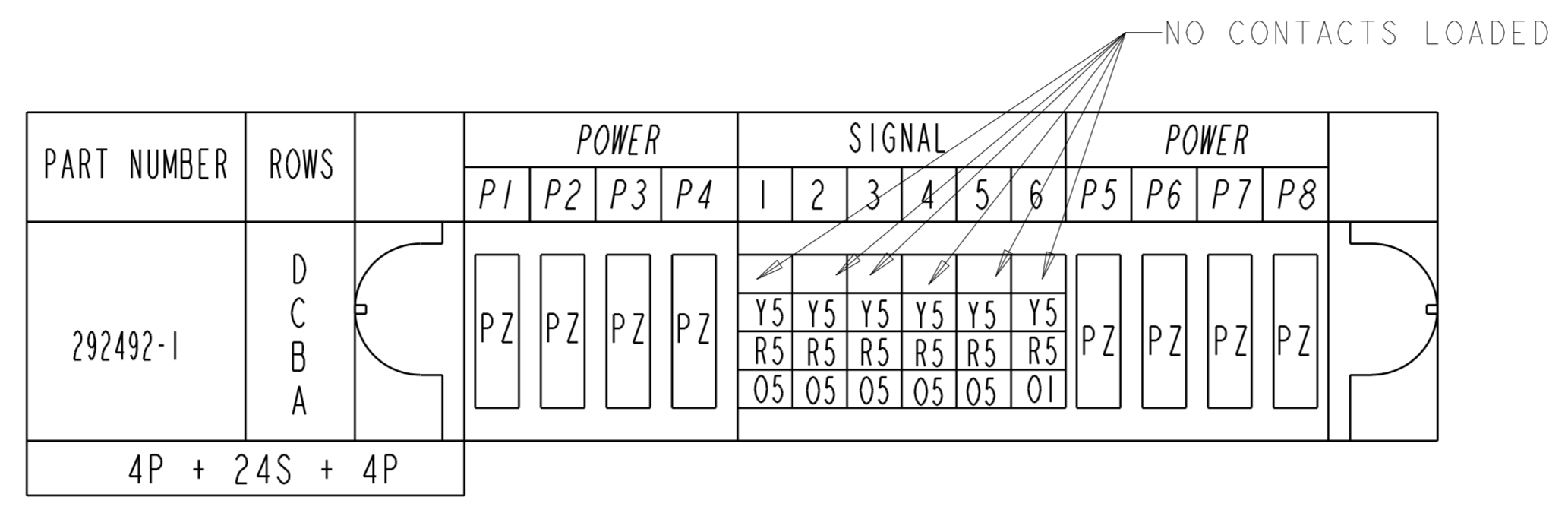


SECTION X-X
 SCALE 4:1

4P + 24S + 4P	292492-1
DESCRIPTION	PART NUMBER

DIMENSIONS: INCHES 		TOLERANCES UNLESS OTHERWISE SPECIFIED: 0 PLC ±0 1 PLC ±0.1 2 PLC ±0.02 3 PLC ±0.005 4 PLC ±0.0005 ANGLES ±0°		DWN: D. ZHU CHN: S. ZHAO APVD: S. YAO PRODUCT SPEC: 108-1973 APPLICATION SPEC: 114-13038 WEIGHT: -		NAME: Tyco Electronics Corporation Shanghai, P.R.China, 200233 RIGHT ANGLE HEADER MULTI-BEAM XL W/GUIDES MOUNTING HOLES, PRESS FIT	
MATERIAL: 2		FINISH: 3		SIZE: A 00779 C=292492 SCALE: 1:1		SHEET 1 OF 2 REV A	

LOC	DIST	REVISIONS			
ES	00	REV	DATE	BY	APPV
		1			
		2			
		3			
		4			
		5			
		6			
		7			
		8			
		9			
		10			



DESCRIPTION	CODE
STD SIGNAL CONTACT PRESS FIT, .120 TAIL LENGTH ROW C	Y5
STD SIGNAL CONTACT PRESS FIT, .120 TAIL LENGTH ROW B	R5
STD SIGNAL CONTACT PRESS FIT, .120 TAIL LENGTH ROW A	O5
MLBF SIGNAL CONTACT PRESS FIT, .120 TAIL LENGTH ROW A	O1
POWER CONTACT, R/A HDR, .120 PRESS FIT	PZ

THIS DRAWING IS A CONTROLLED DOCUMENT FOR TYCO ELECTRONICS CORPORATION. IT IS SUBJECT TO CHANGE AND THE CONTROLLING ENGINEERING DEPARTMENT SHOULD BE CONTACTED FOR THE LATEST REVISION.		DWN: 27SEP2007 D. ZHU CHK: 27SEP2007 S. ZHAO	Tyco Electronics Corporation Shanghai, P.R.China, 200233
DIMENSIONS: INCHES 	TO DIMENSIONS UNLESS OTHERWISE SPECIFIED: 0 PLC ±0 1 PLC ±0.1 2 PLC ±0.02 3 PLC ±0.005 4 PLC ±0.0005 ANGLES ±0°	APVD: S. YAO PRODUCT SPEC: 108-1973 APPLICATION SPEC: 114-13038 WEIGHT: -	NAME: RIGHT ANGLE HEADER MULTI-BEAM XL W/GUIDES MOUNTING HOLES, PRESS FIT SIZE: A1 CASE CODE: 00779 DRAWING NO: C-292492 RESTRICTED TO: -
MATERIAL: -	FINISH: -	CUSTOMER DRAWING SCALE: 1:1 SHEET 2 OF 2 REV A	