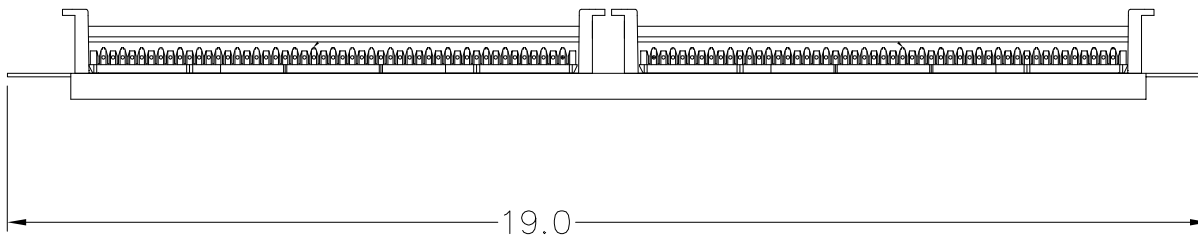
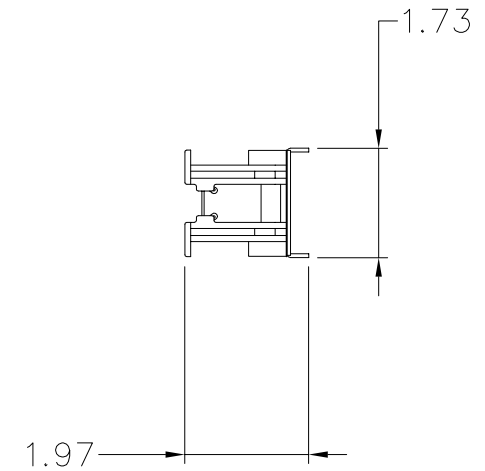
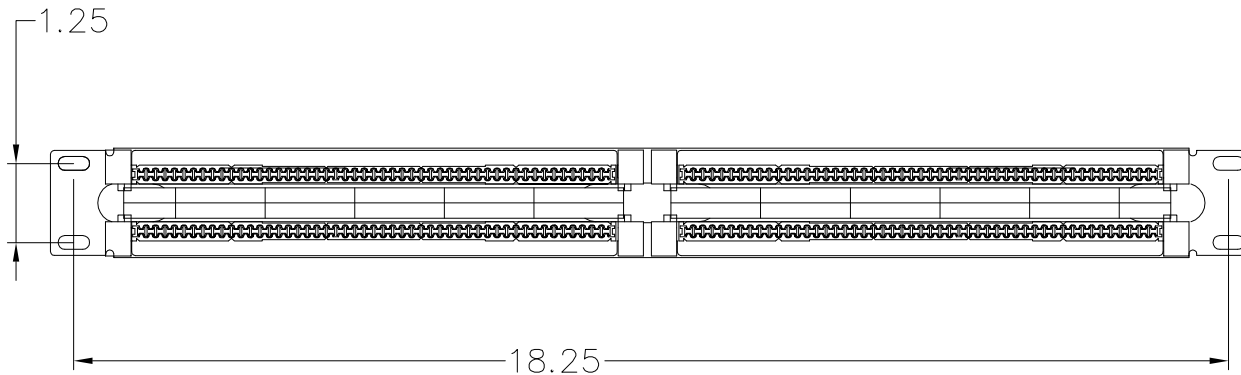


THE INFORMATION CONTAINED HEREON IS PROPRIETARY AND CONFIDENTIAL TO HELLERMANNTYTON AND SHALL NOT BE USED OR DISCLOSED, IN WHOLE OR IN PART WITHOUT FIRST OBTAINING THE WRITTEN PERMISSION OF HELLERMANNTYTON

ZONE	REV.	DESCRIPTION	DATE	APPV.
-	A	INITIAL RELEASE	10/24/01	E.A.



HellermannTyton
A SPIRENT Company

TOLS. .X=+/- 0.030, .XX=+/- 0.010, .XXX=+/- .005, ANGLES=+/-0.5 DEG.

NEXT ASSY: -	DRAWN: E.A. 10/24/01	CHECKED: Eddy Lee
TITLE: 110 RACK MOUNT 100 PAIR	DWG. NO. T110RM100	REV. A