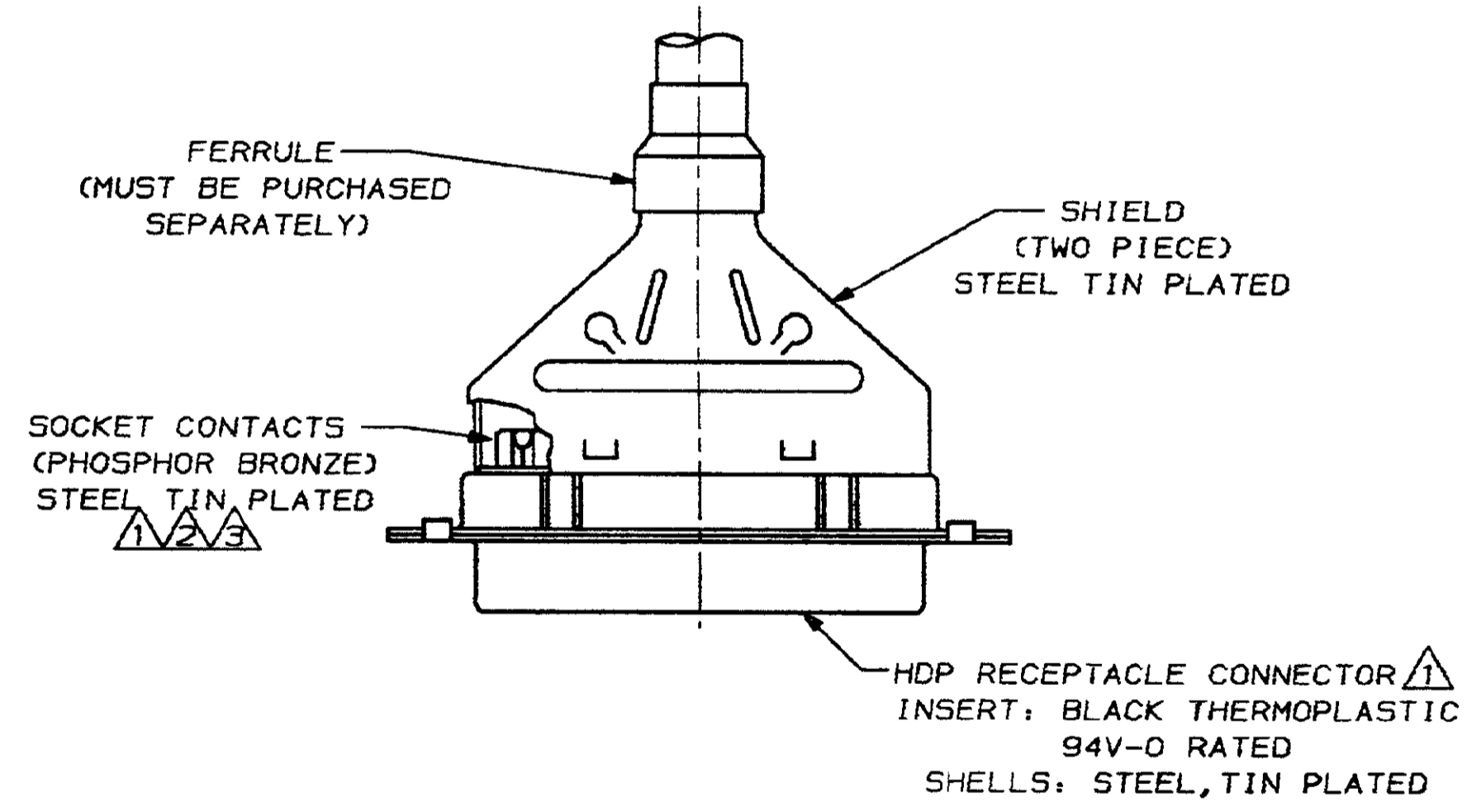
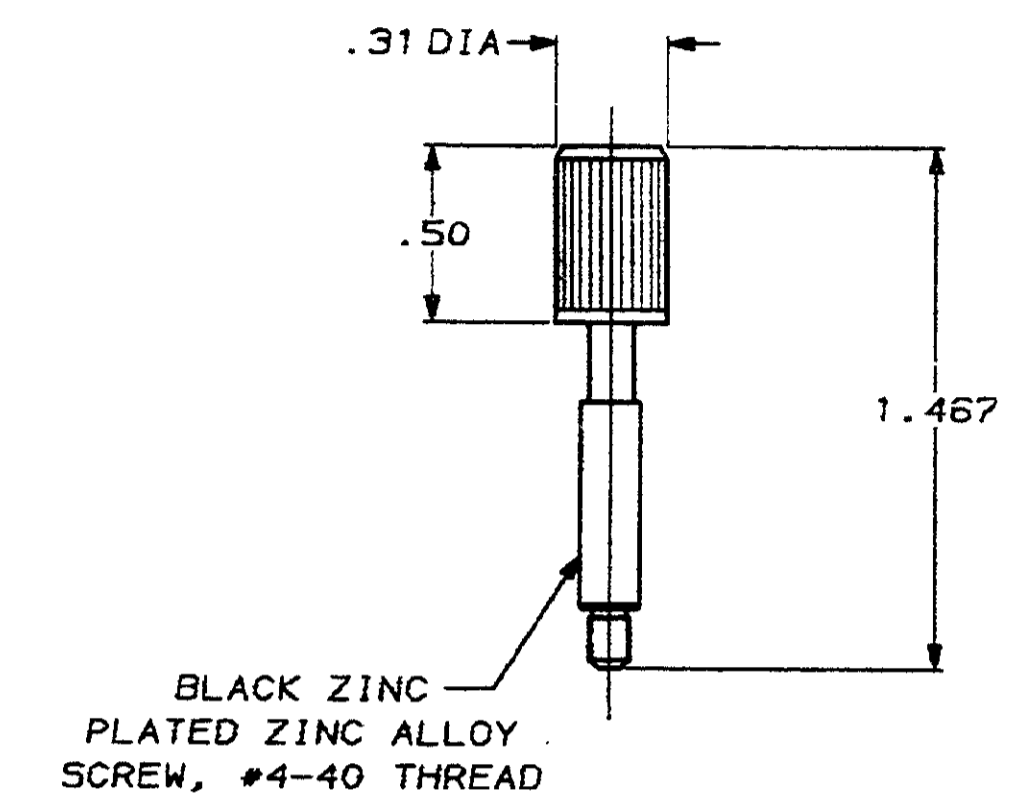
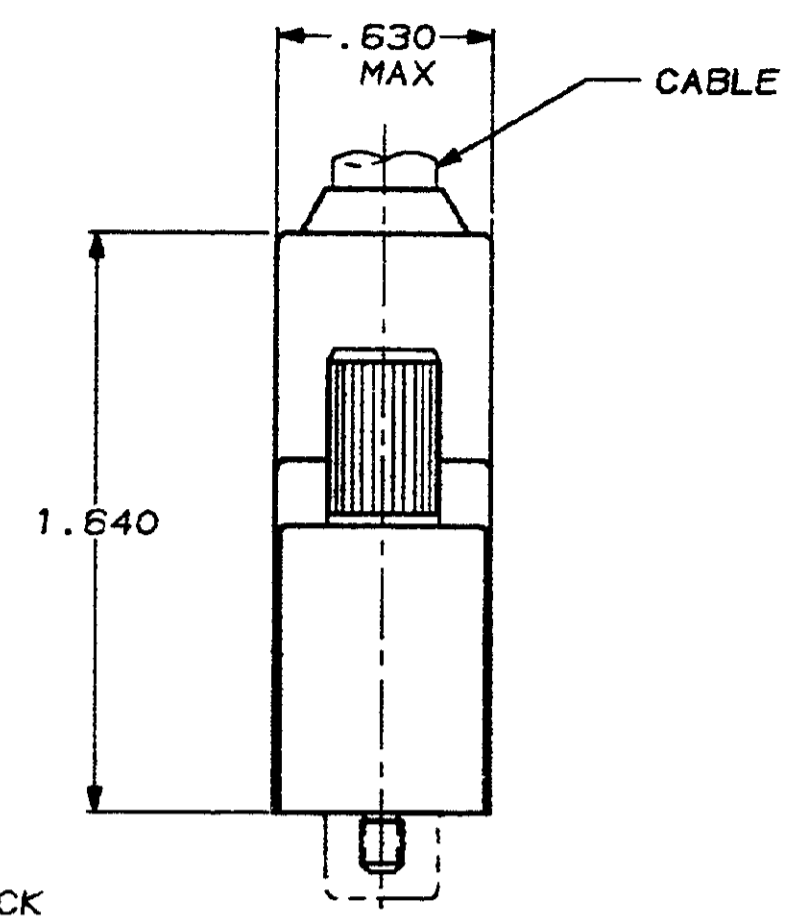
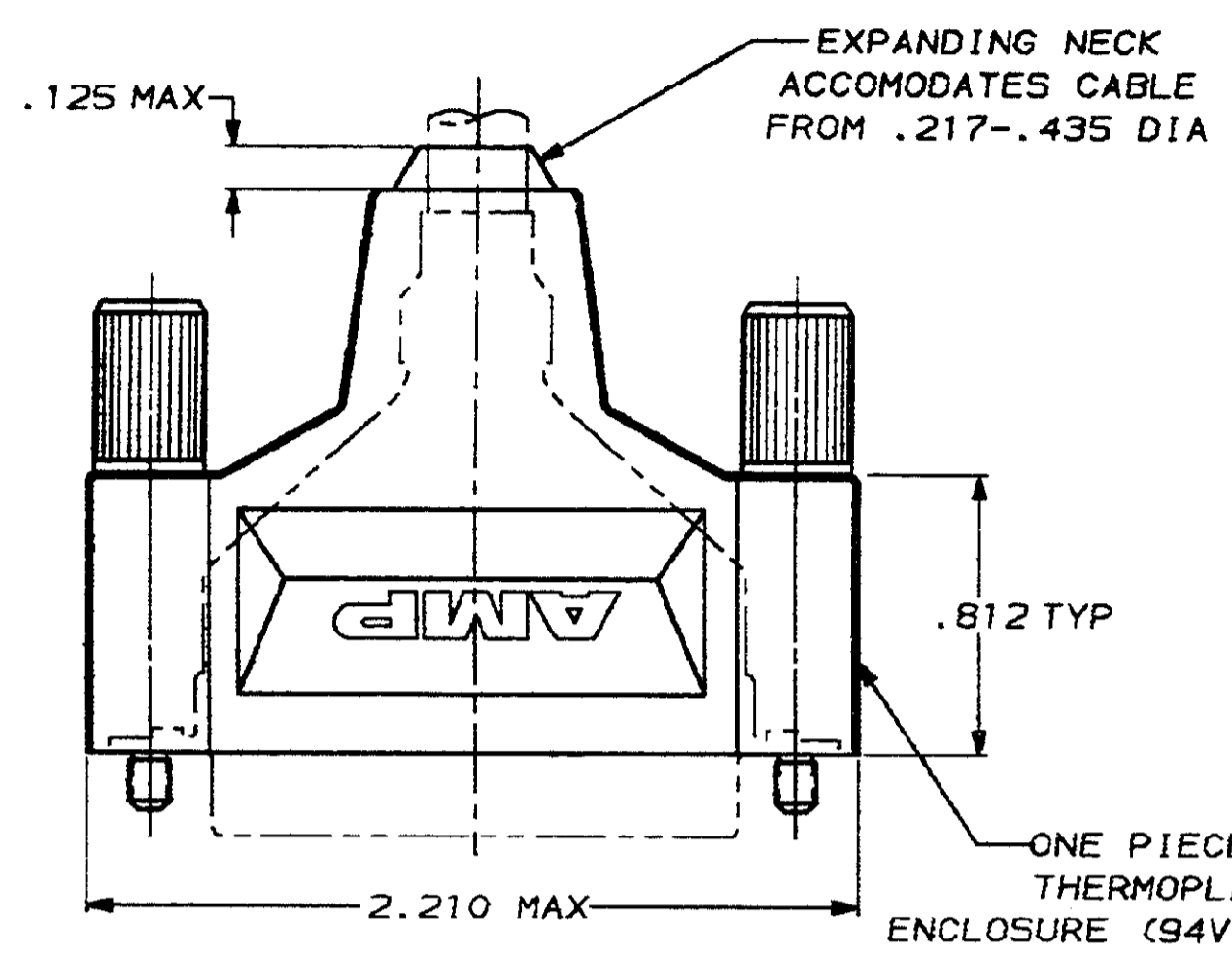


DRAWING MADE IN THIRD ANGLE PROJECTION

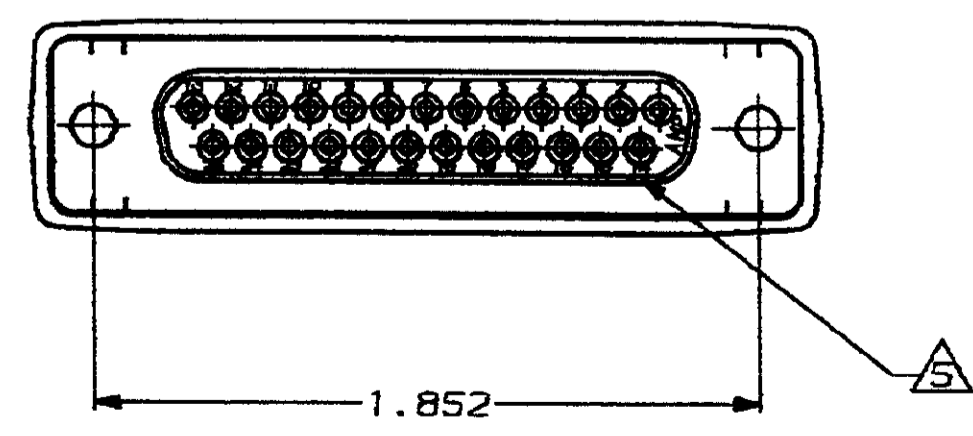
THIS DRAWING IS UNPUBLISHED. RELEASED FOR PUBLICATION .18
 © COPYRIGHT 19 BY AMP INCORPORATED. ALL INTERNATIONAL RIGHTS RESERVED.

MOD	LOC	QTY	REV	ZONE	LTR	DESCRIPTION	DATE	APPD
2	BD	39			C	REDRAWN	6/7/90	-
					D	REV PER ECN BD4493	12/12/90	-
					E	REV PER ECN BD4814	05/21/91	-
					F	REVISED PER ECN BD6133	04/02/92	TMS



- ① RECEPTACLE CONNECTOR FULLY LOADED WITH CONTACTS. ALL OTHER PARTS ARE SHIPPED UNASSEMBLED. (EACH PART INDIVIDUALLY BULK PACKED).
- ② SOLDER CUP WILL ACCOMMODATE AWG 20 MAX WIRE.
- ③ CONTACTS PLATED WITH GOLD FLASH ON MATING END FOR .150 MIN LENGTH. .000150-.000300 TIN-LEAD PLATE ON SOLDER CUP WITH .000030 NICKEL UNDERPLATE ON ENTIRE CONTACT.
- 4. ALTERNATE FINISH ON CONTACTS AVAILABLE AT CUSTOMER'S REQUEST.
- ⑤ RAISED CAVITY IDENTIFICATION AND AMP TRADEMARK.

③	748051-1
CONTACT FINISH	PART NUMBER



DO NOT SCALE PRINT. UNLESS SPECIFIED DIMENSIONS IN INCHES TOLERANCES ON: 2 PLC DEC ± - 3 PLC DEC ± .020 ANGLES ± -	DR 6/7/90 A. STAUB 86	AMP INCORPORATED Harrisburg, Pa. 17105	
	CHK 8-31-90 J. McCLINTON		
MATERIAL SEE CALL OUT	APPD 9-4-90 BOB TAYLOR	NAME	
	APPD 9-4-90 J. ASSINI	BULK KIT, RCPT, AMPLIMIT™, SHLDG ENCLOSURE, SOLDER CUP 25 POSN, SIZE 3, HDP-20	
FINISH SEE CALL OUT	PRODUCT SPEC	SIZE	FSCM NO
	APPLICATION SPEC	C	00779
	WEIGHT	SCALE	DRAWING NO
		2:1	748051
			SHEET 1 OF 1