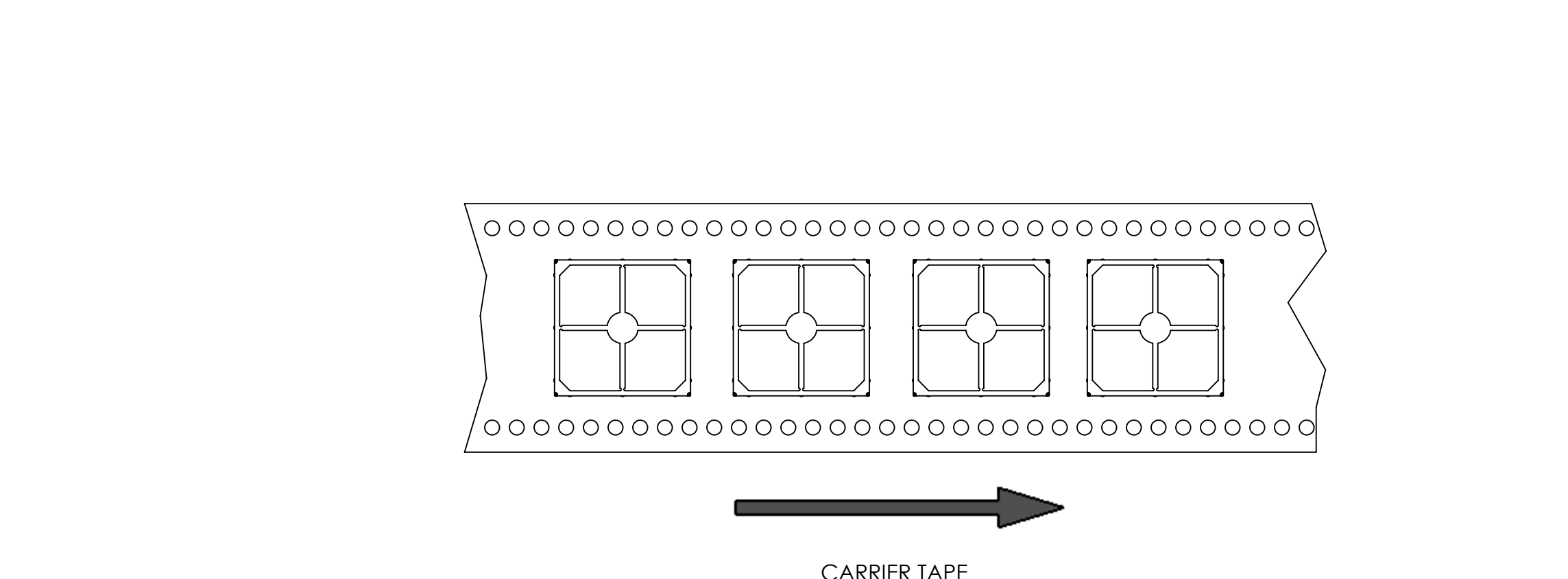
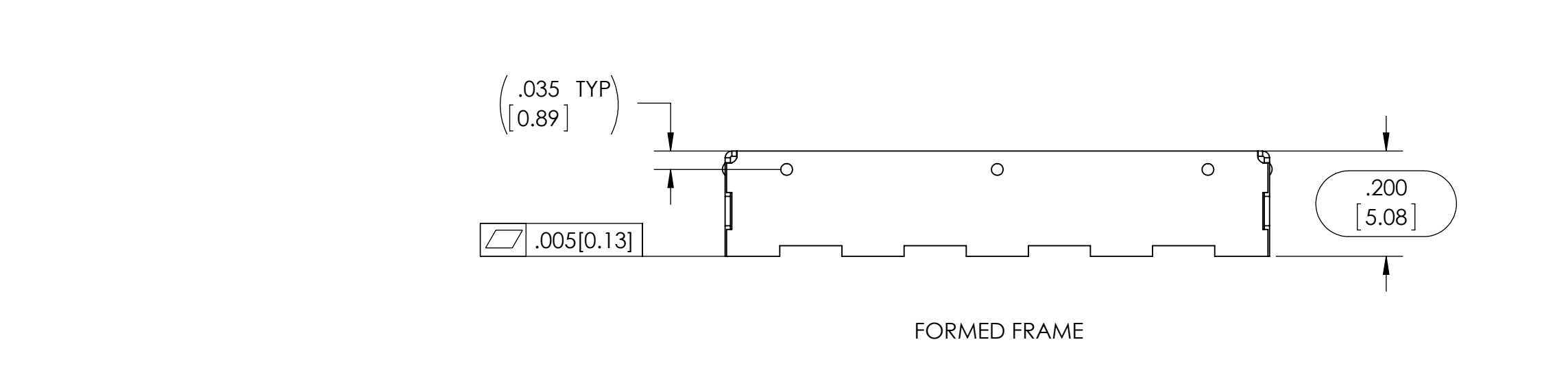
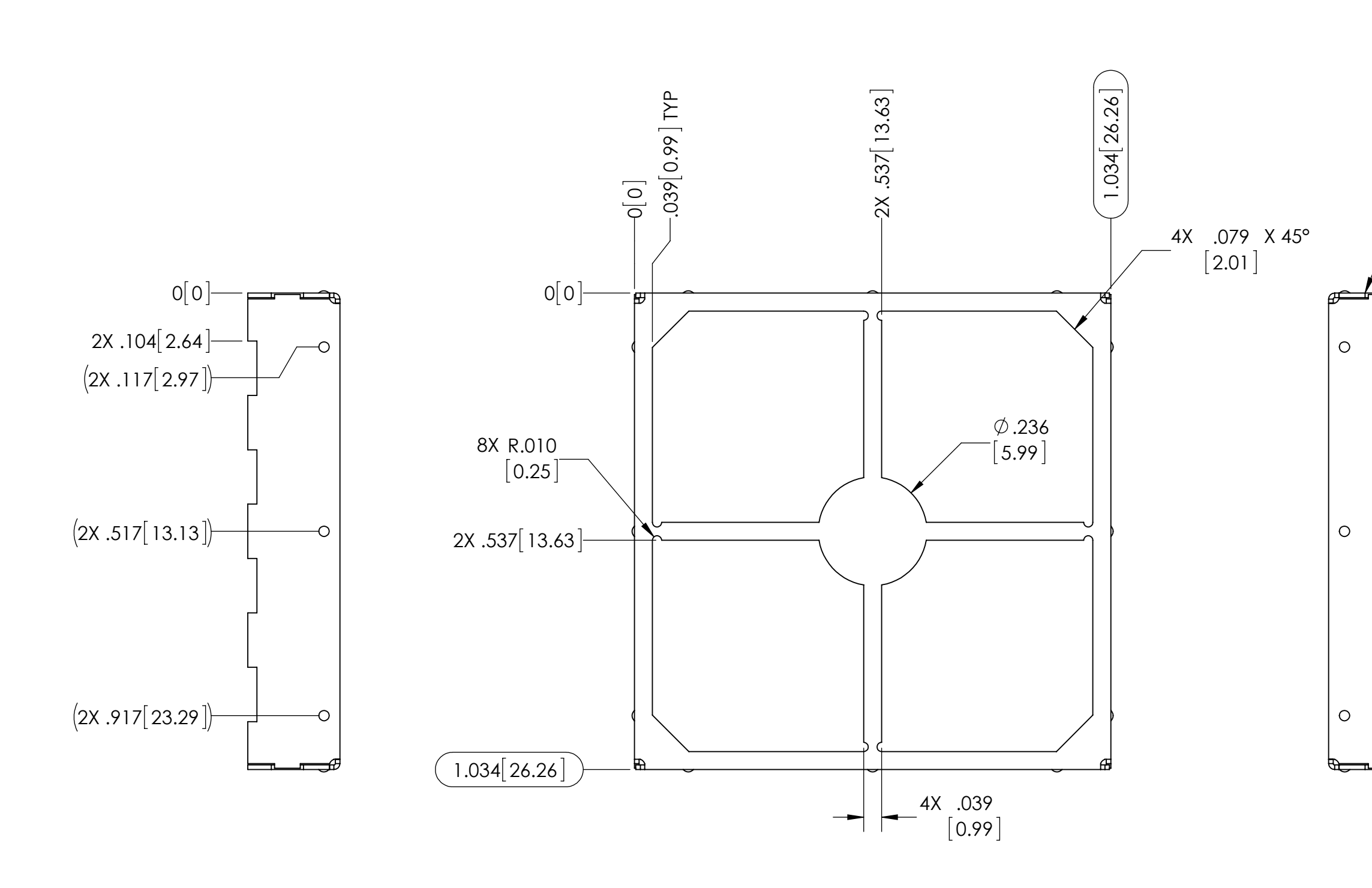
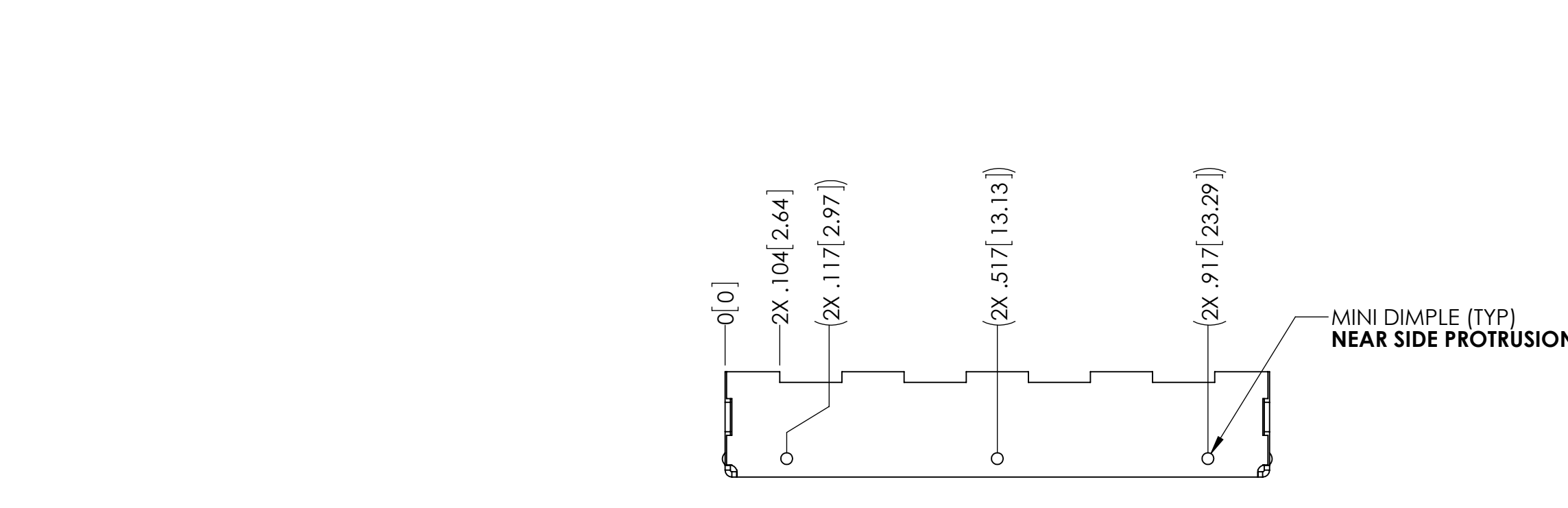
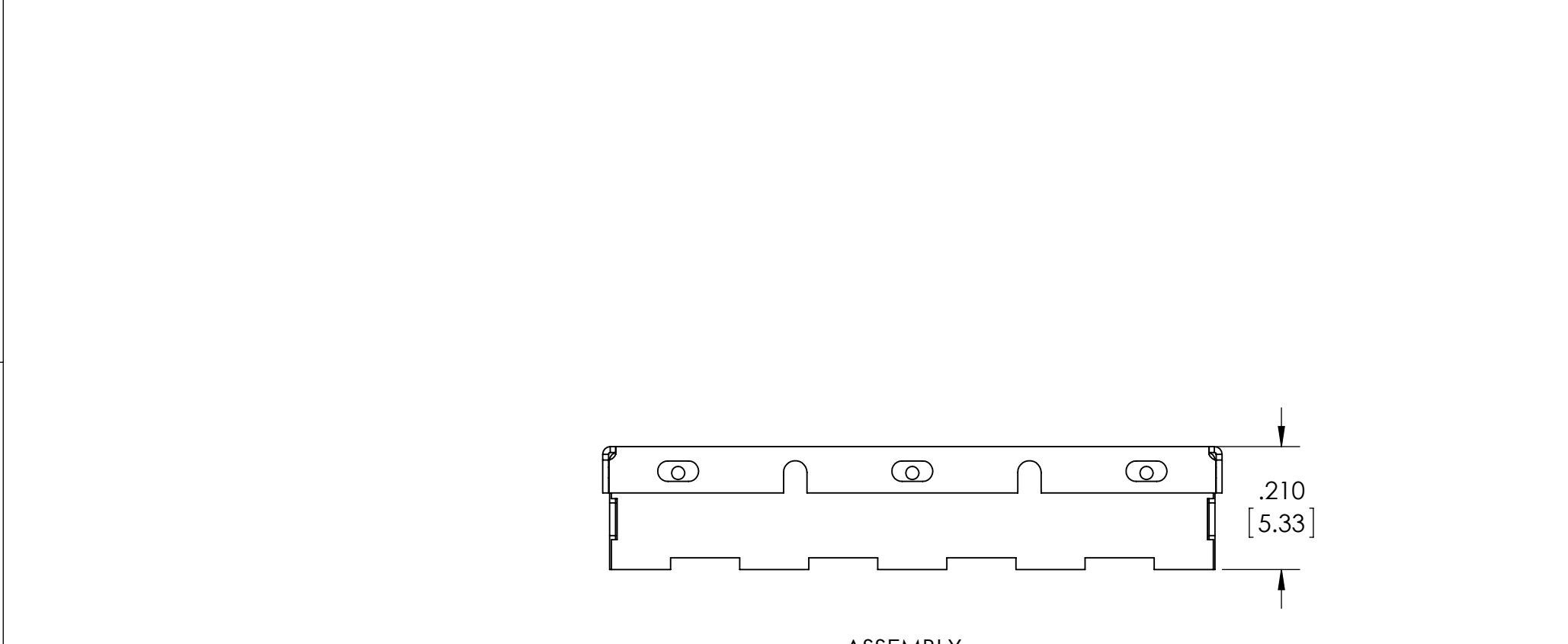
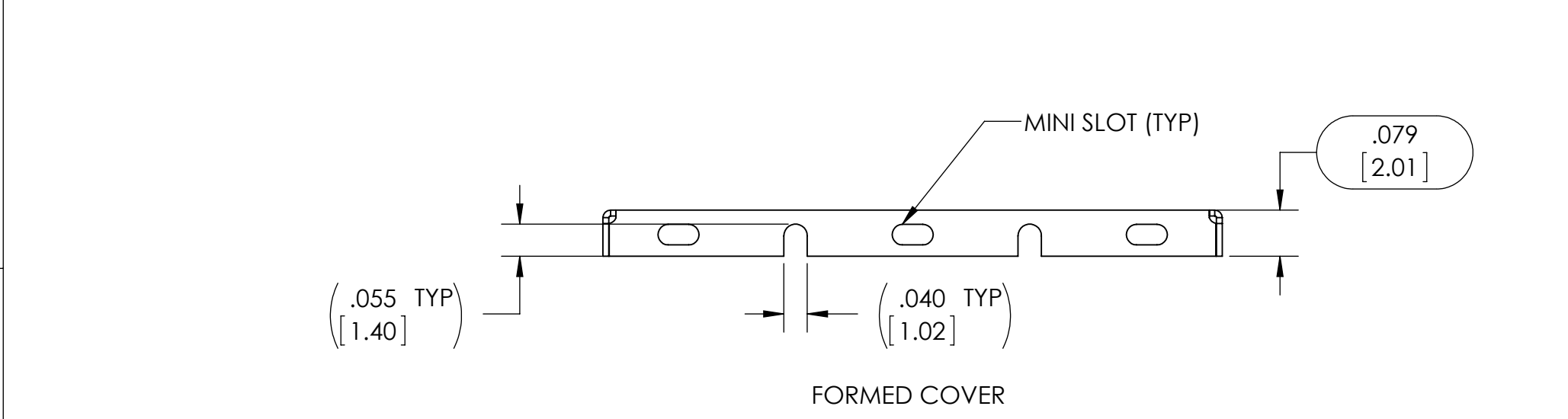
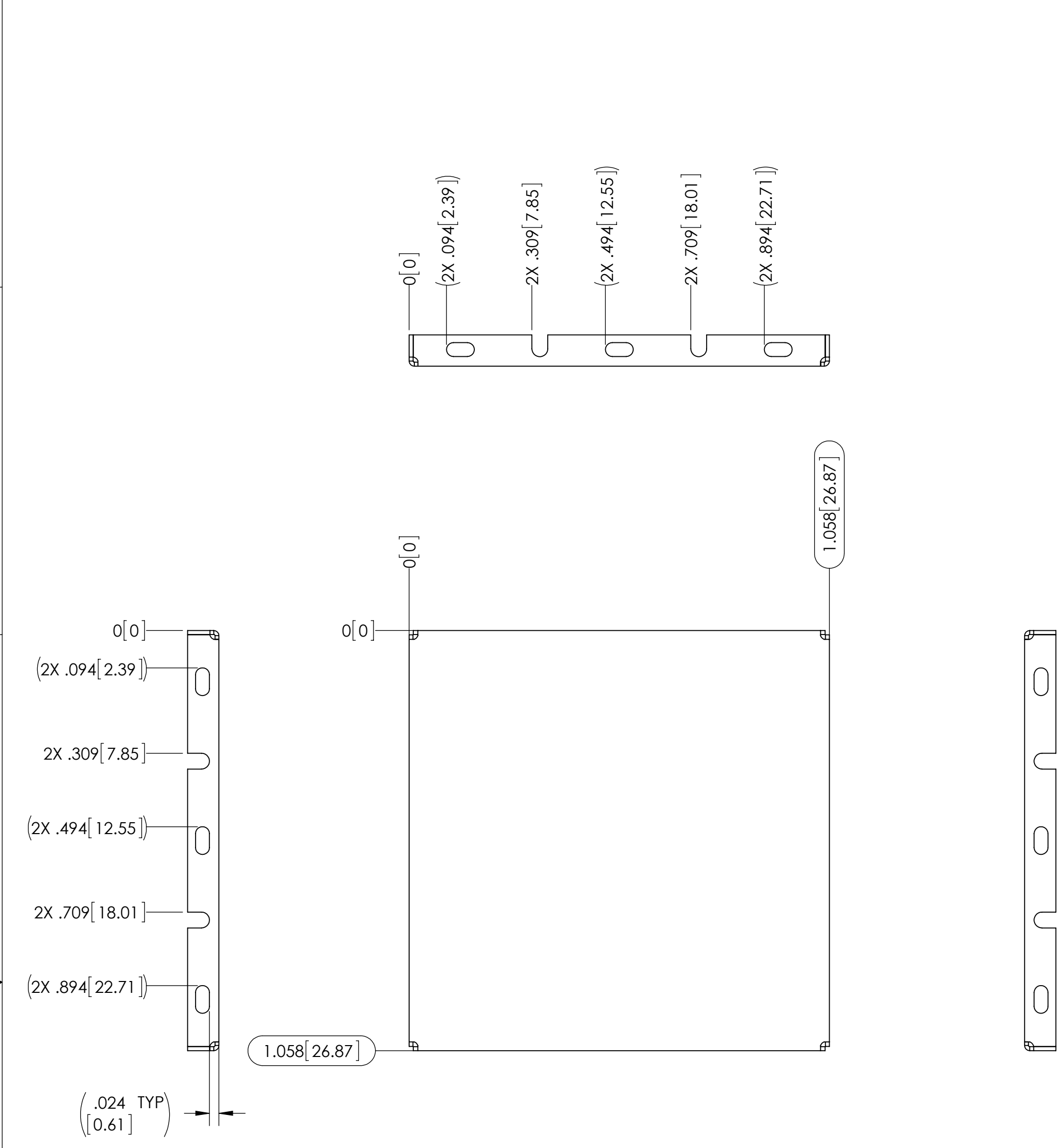
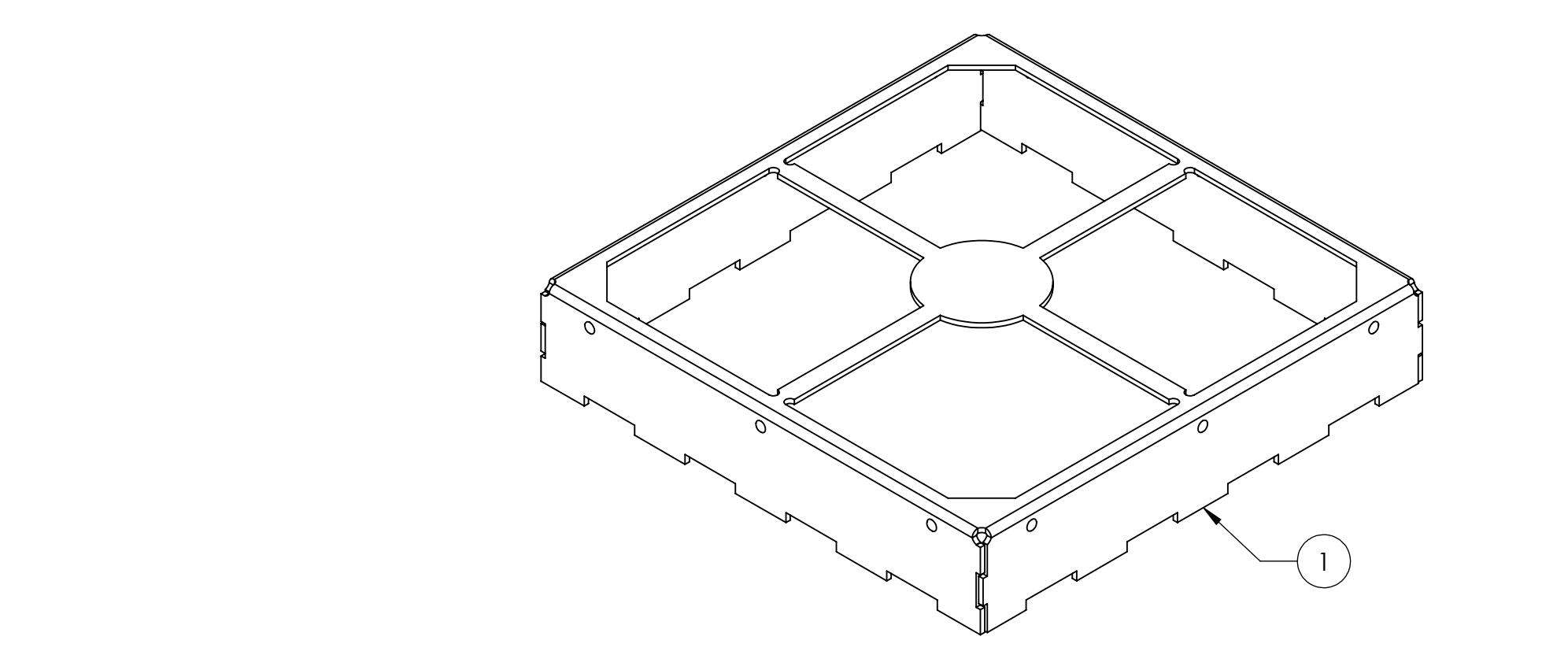
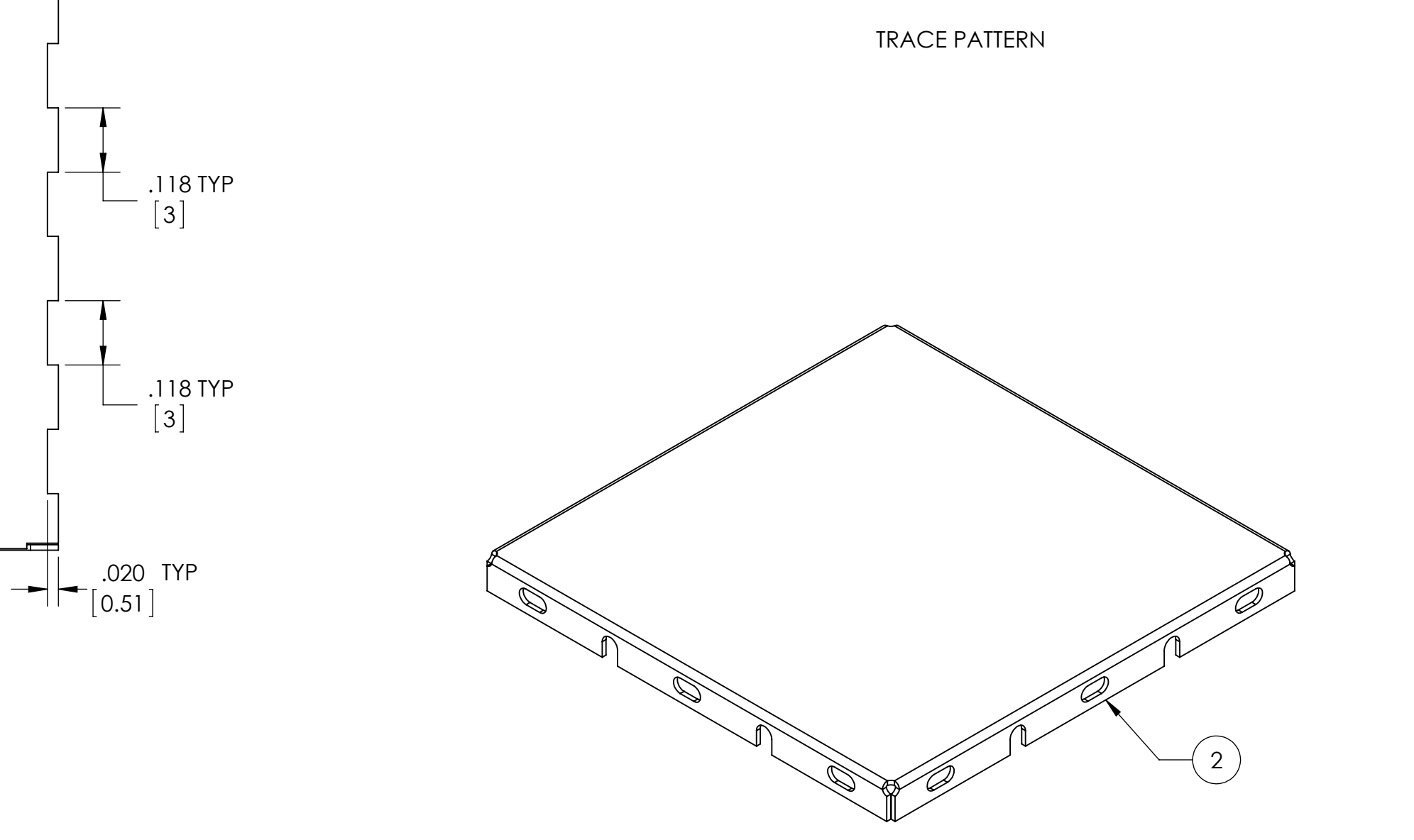
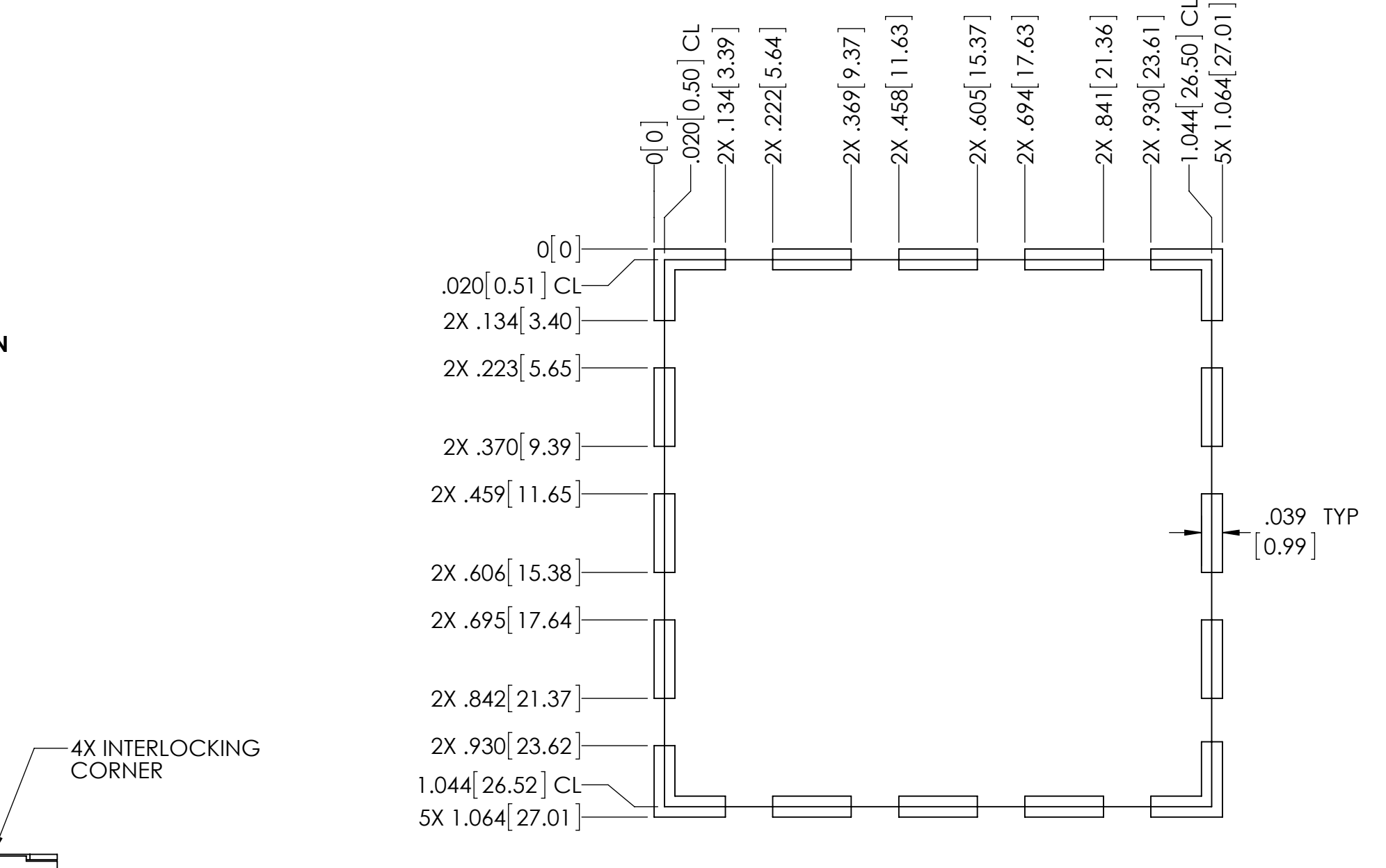


NOTES:
 1. ASSURE ASSEMBLY CAPABILITY BY MATCHING WITH MATING PART
 2. DIMENSIONS IN [] ARE IN MILLIMETERS



CARRIER TAPE SPECIFICATIONS						
PART NUMBER	DESCRIPTION	OVERALL DIMENSION	OVERALL HEIGHT	CARRIER TAPE WIDTH	CARRIER TAPE PITCH	PARTS PER REEL
SMS-403F	FRAME	1.034 X 1.034 [26.26 X 26.26]	.200 [5.08]	44mm	32mm	300
SMS-403C	COVER	1.058 X 1.058 [26.87 X 26.87]	.079 [2.01]	N/A	N/A	BULK PACK



ITEM NO.	PART NUMBER	DESCRIPTION	QTY.
1	SMS-403F	FRAME	1
2	SMS-403C	COVER	1

UNLESS OTHERWISE SPECIFIED:
 - ALL DIMENSIONS ARE IN INCHES
 - PART SHALL BE FREE OF BURRS AND SHARP EDGES
 - ALL DIMENSIONS SHOWN APPLY AFTER PLATING AND COATINGS
 - ROHS COMPLIANT PER EU DIRECTIVE 2011/65/EU
 - POI = POINT OF INTERSECTION

THIRD ANGLE PROJECTION
 ANGLES +/- 2°

DRAWN BY: ACS 2015-04-16
 APPROVED BY:

FRISH: BRIGHT
 MATERIAL: .010 [0.25] - PRE TIN STEEL

THIS DOCUMENT CONTAINS PROPRIETARY INFORMATION OWNED BY LEADTECH OR DEVELOPED AT ITS OWN PRIVATE EXPENSE AND MAY NOT BE USED, DUPLICATED OR DISCLOSED IN WHOLE OR IN PART FOR ANY PURPOSE INCLUDING DESIGN, MANUFACTURE OR PROCUREMENT WITHOUT THE WRITTEN PERMISSION OF LEADTECH. LEADTECH DOES NOT GUARANTEE OR WARRANT THE PERFORMANCE CHARACTERISTICS.

DATE: 2015-04-16
 SCALE: 4:1
 CAGE CODE: 41674
 SHEET: 1 OF 1

LEADER TECH
 a HEICO company
 The Leading Edge in PCB Mounting Technology

TITLE: SURFACE MOUNT SHIELD
 SIZE: D
 DWG. NO.: SMS-403
 REV: A