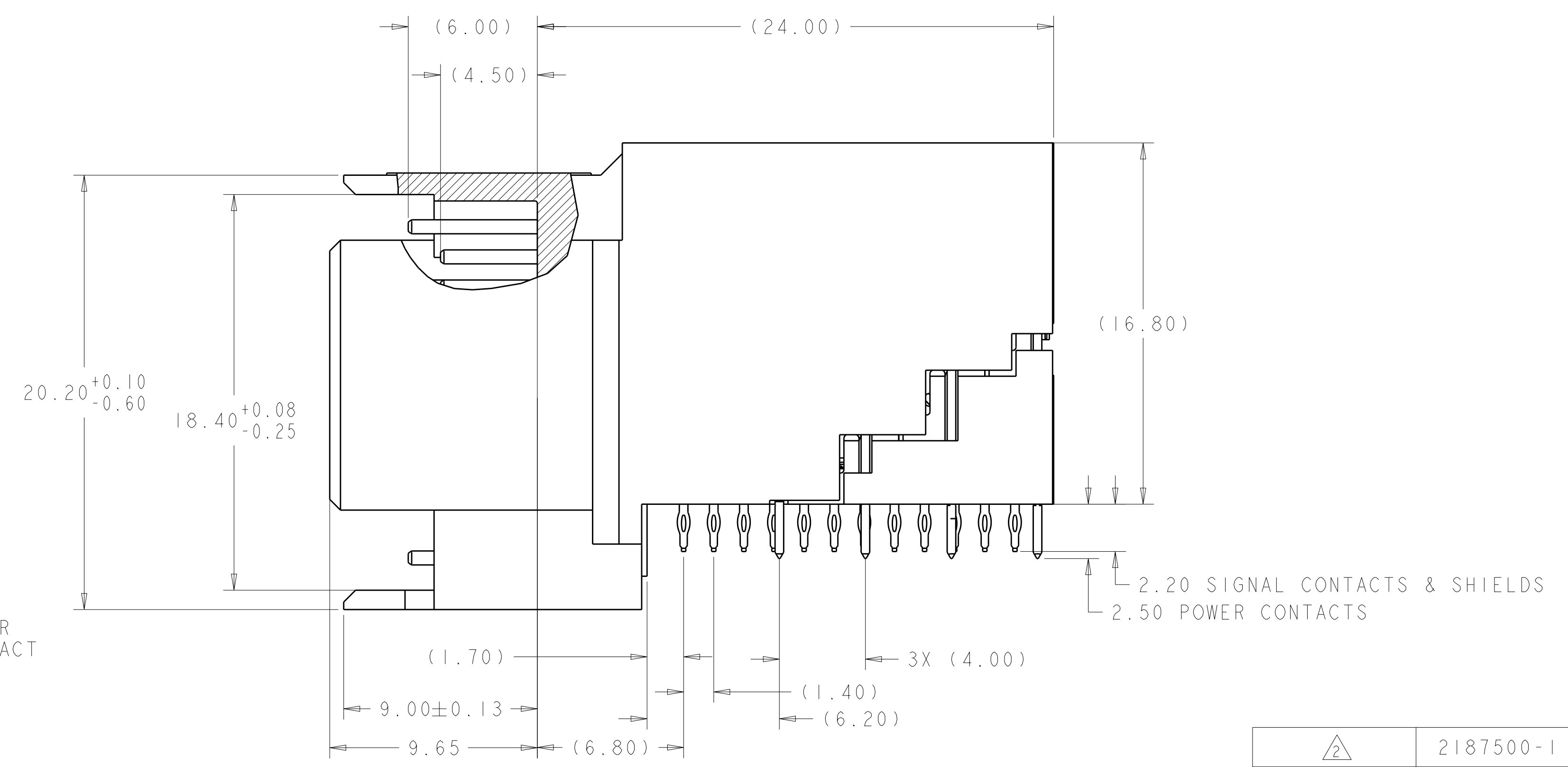
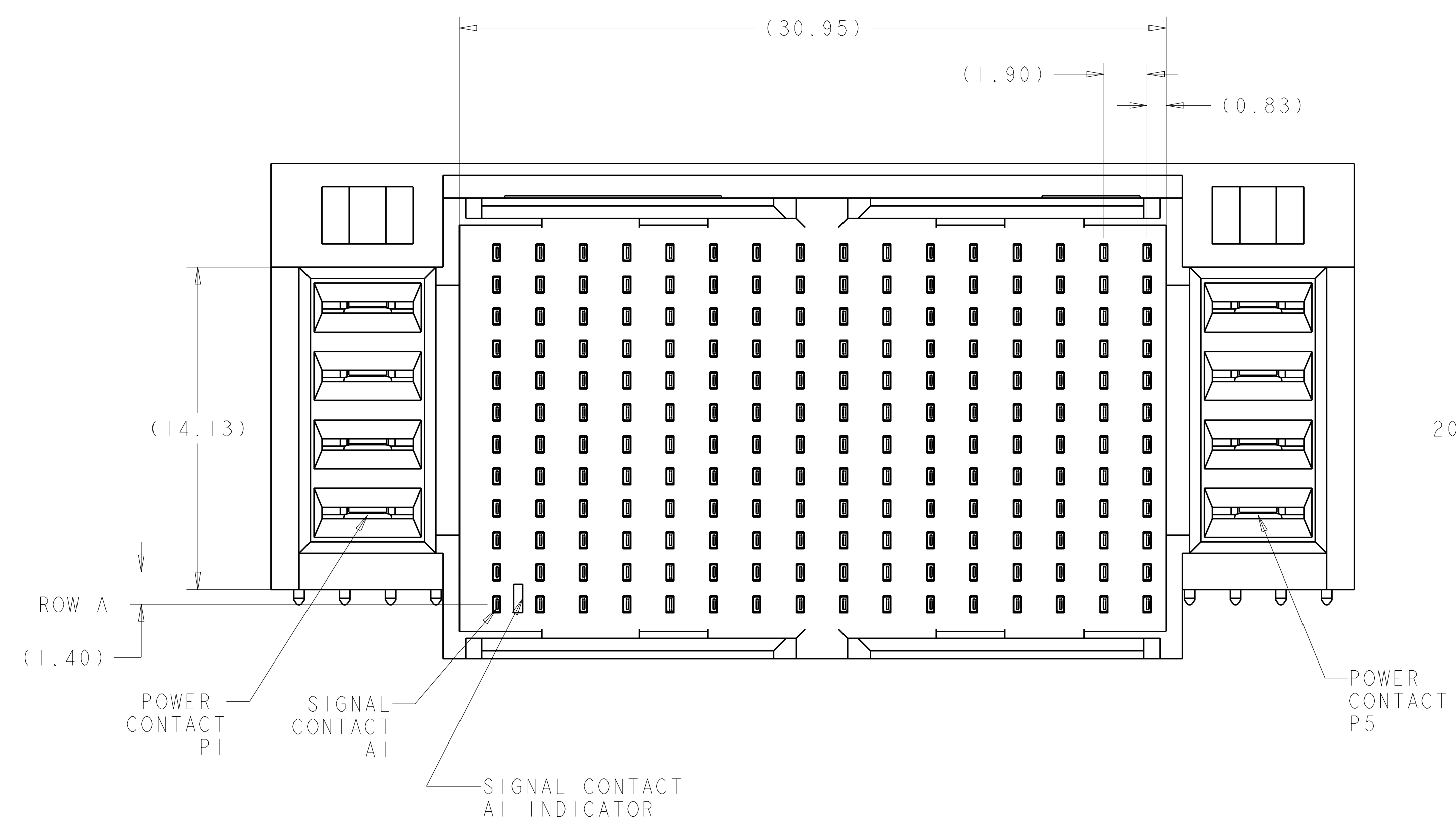
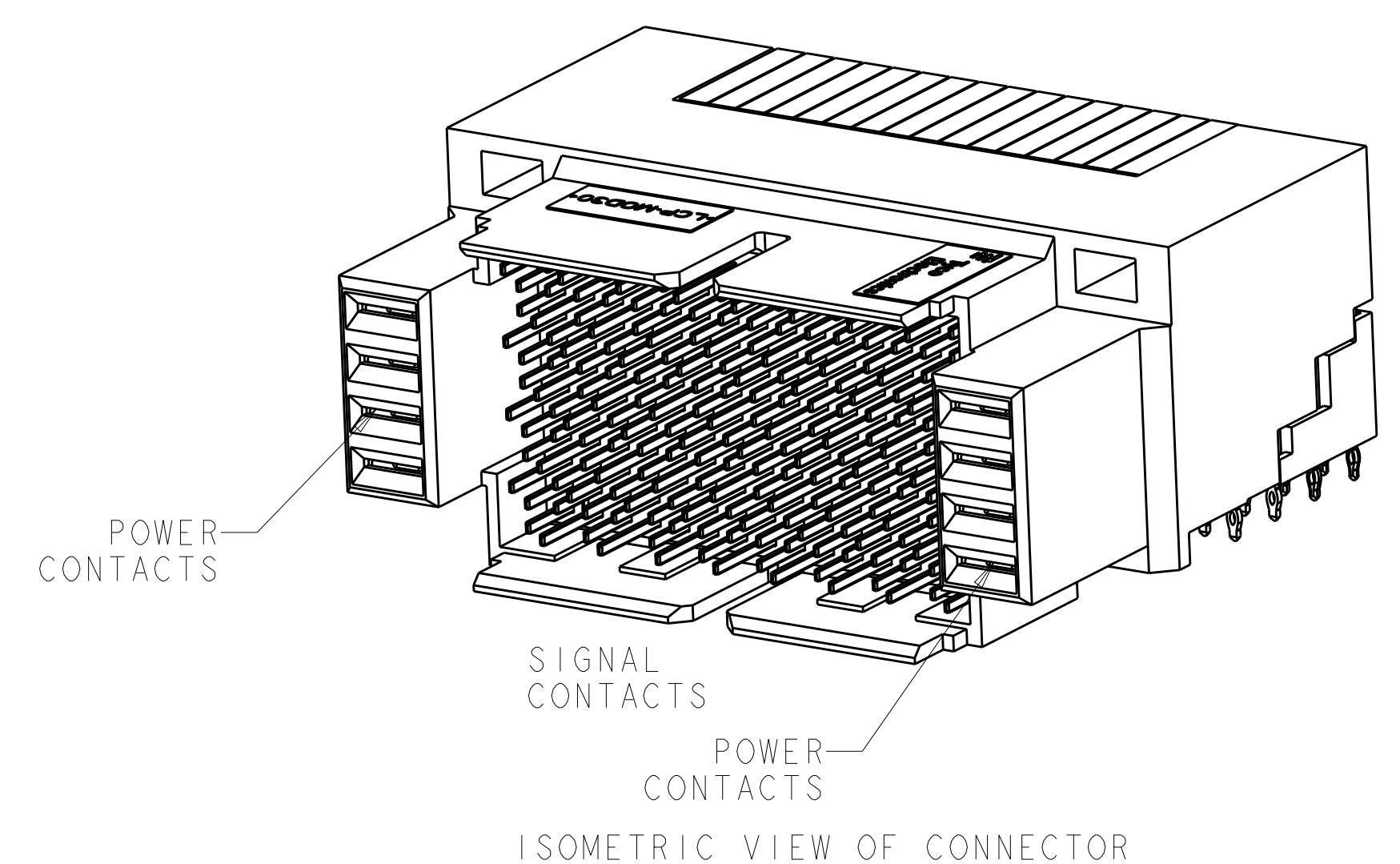
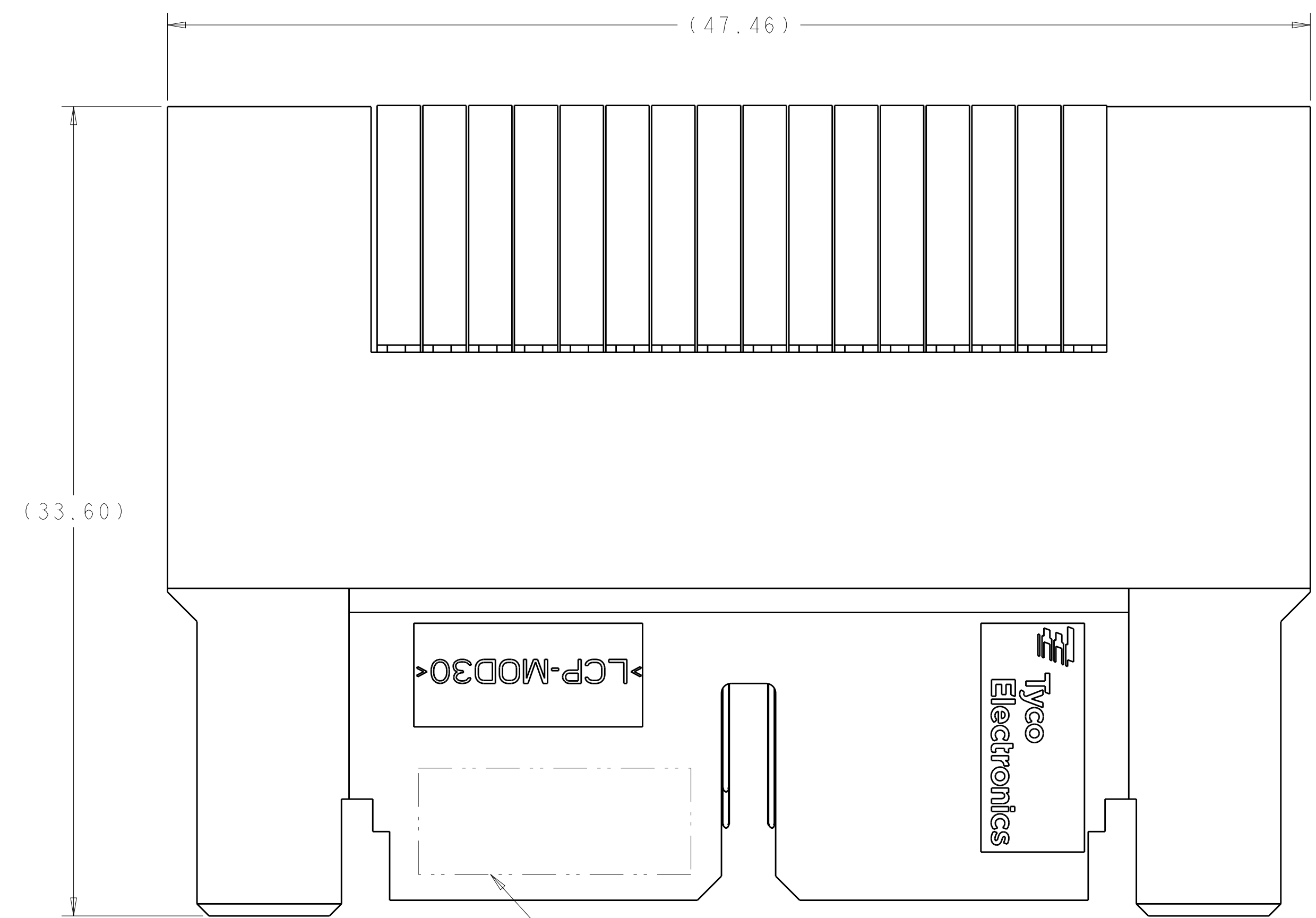


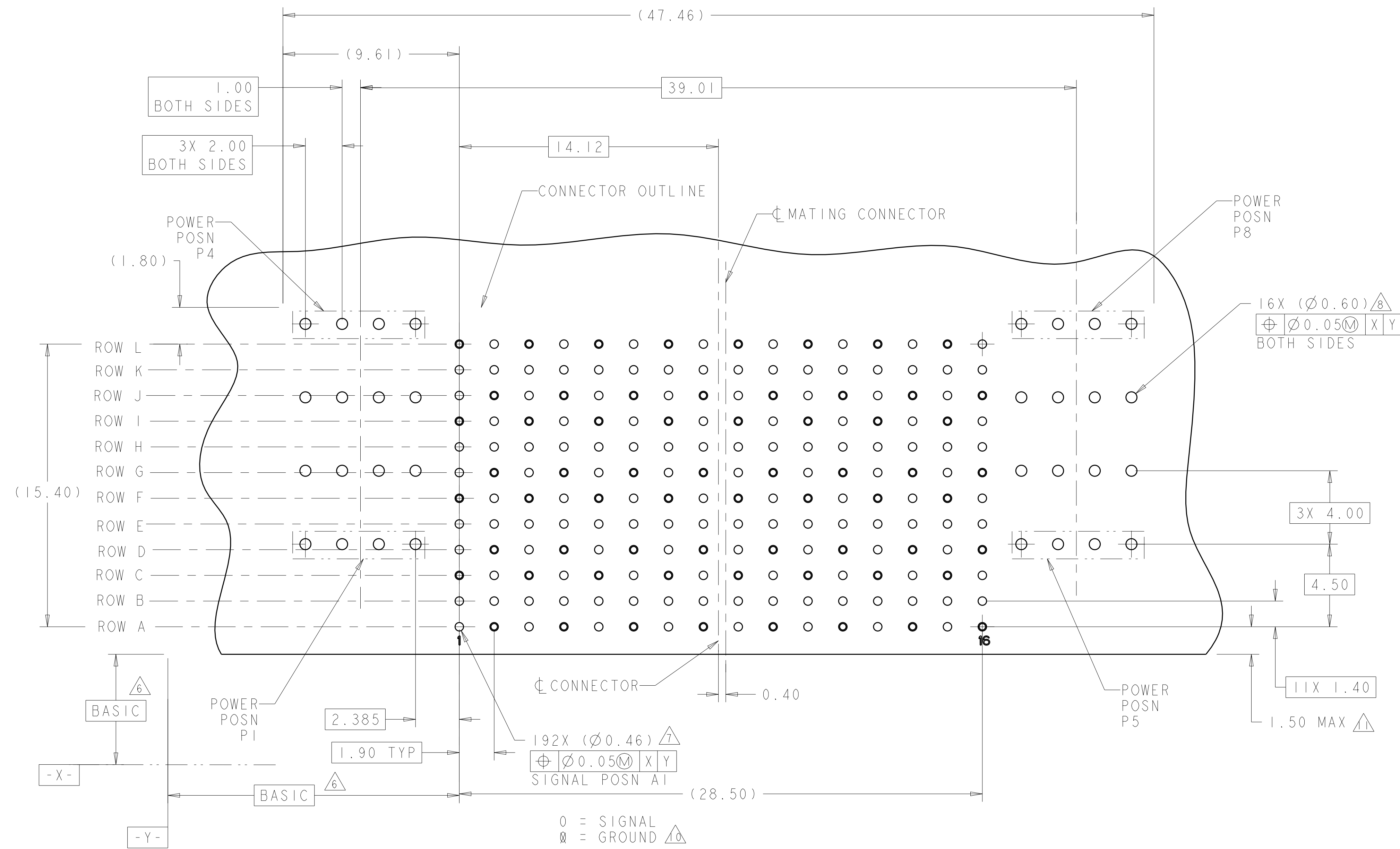
LOC		DIST		REVISIONS			
P	LTN	DESCRIPTION	DATE	DWN	APVD		
A		NEW DRAWING	26MAR2013	KH	RP		



△	2187500-1
FINISH	PART NUMBER

THIS DRAWING IS A CONTROLLED DOCUMENT.		DWN	R. HOLLAND	26MAR2013
DIMENSIONS:		CHK	R. PATTERSON	26MAR2013
mm	0 PLC ±	APVD	R. PATTERSON	26MAR2013
	1 PLC ±	PRODUCT SPEC		
	2 PLC ±0.25	APPLICATION SPEC		
	3 PLC ±	SIZE	A1	00779
	4 PLC ±	CAGE CODE	C=2187500	DRAWING NO
	ANGLES ±	WEIGHT		RESTRICTED TO
MATERIAL	SEE TABLE	Customer Drawing	SCALE	1:1
			SHEET	1 of 2
			REV	A

LOC	DIST	REVISIONS			
GP	00	REV	DATE	BY	APPV
-	-	SEE SHEET 1	-	-	-



RECOMMENDED PRINTED CIRCUIT BOARD LAYOUT (VIEW FROM CONNECTOR SIDE)

- 1 MATERIAL: HOUSING: GLASS FILLED ZENITE, COLOR: BLACK
UL-94V-0 RATED.
CHICKLET: LCP, COLOR: BLACK, UL94V-0
SIGNAL CONTACT AND SHIELD: PHOS BRONZE
POWER CONTACT: COPPER ALLOY
- 2 CONTACT AREA FINISH CONFORMS TO THE REQUIREMENTS OF TE PRODUCT SPECIFICATION 108-2303; BASED ON TELCORDIA GR-1217-CORE FOR SYSTEM QUALITY LEVEL III APPLICATIONS IN CONTROLLED ENVIRONMENTS (CENTRAL OFFICE). COMPLIANT PIN AREA: 0.5UM MIN MATTE TIN OVER 1.27UM MIN NICKEL. SHIELD: 1.27UM MIN NICKEL.
- 3. CONTACT MATING AREA LUBRICATE WITH BELLCORE APPROVED LUBRICANT, TECHNICAL REFERENCE: GR-1217-CORE, ISSUE 1, NOVEMBER 1995.
- 4 CONNECTOR ASSEMBLY MARKED WITH PART NUMBER AND DATE CODE
- 5 DATUMS AND BASIC DIMENSIONS TO BE ESTABLISHED BY CUSTOMER.
- 6 PC BOARD THICKNESS 1.4mm MIN.
- 7 REFERENCE APPLICATION SPEC 114-13202 FOR RECOMMENDED THRU HOLE DIAMETER AND PLATING THICKNESS.
- 8 FOR PRESS FIT : DRILL HOLE DIAMETER: 0.70 ±0.02mm
FINISHED HOLE DIAMETER: 0.61mm REF.
PAD DIAMETER: 0.90±0.05mm
Cu PLATING THICKNESS: 0.025-0.050mm
WITH A SURFACE FINISH AND THICKNESS OF EITHER:
HASL SnPb: 0.004-0.015mm
IMMERSION Sn: 0.0005mm MIN
OSP: 0.0002-0.0005mm
IMMERSION Ag: 0.0001 MIN
IMMERSION Au/Ni: 0.0001-0.0005 Au, 0.004-0.0076 Ni
- 9. SEE CUSTOMER DRAWING 1926944 FOR MATING HEADER CONNECTOR.
- 10 ALL GROUNDS IN ODD NUMBERED COLUMNS ARE COMMON
ALL GROUNDS IN EVEN NUMBERED COLUMNS, EXCEPT FOR ROW "A" ARE COMMON.
- 11 DIMENSION APPLIES TO CENTERLINE OF THRU HOLE

CONTACT LAYOUT		
A = 4.50mm (DIM M)		
B = 3.70mm (DIM M)		
G = GROUND 6.00mm		
	COLUMNS	
	1 2 3 4 5 6 7 8 9 10 11 12 13 14 15 16	
ROWS	L	G A G A G A G A G A G A G A G A G A
	K	A A A A A A A A A A A A A A A A A A
	J	A G A G A G A G A G A G A G A G A G A
	I	G A G A G A G A G A G A G A G A G A G A
	H	A A A A A A A A A A A A A A A A A A
	G	A G A G A G A G A G A G A G A G A G A
	F	G A G A G A G A G A G A G A G A G A G A
	E	A A A A A A A A A A A A A A A A A A
	D	A G A G A G A G A G A G A G A G A G A
	C	G A G A G A G A G A G A G A G A G A G A
	B	A A A A A A B A A A A A A A A A A A A
	A	A A G A G B G A G A G A G A G A G A G A

THIS DRAWING IS A CONTROLLED DOCUMENT.

DATE: 26MAR2013
CHK: R. PATTERSON
APPV: R. PATTERSON

STE TE Connectivity

NAME: TINMAN RIGHT ANGLE COPLANAR HEADER W/ POWER ASSEMBLY
4 PR X 16 COL

SIZE: A1 CAGE CODE: 2187500 DRAWING NO: 100779

RESTRICTED TO: Customer Drawing

SCALE: 1:1 SHEET 2 OF 2 REV A